

# SUSSEX

## Sussex Pure Basin Top Assembly Taps

Tapware is to be installed by a Licenced Plumber in accordance with AS/NZS 3500:2003

Recommended working water pressure 300 - 500 Kpa.  
Maximum water temperature is 65 deg.C.

Maximum Bench Thickness 32mm  
33 - 36mm Hole Clearance.

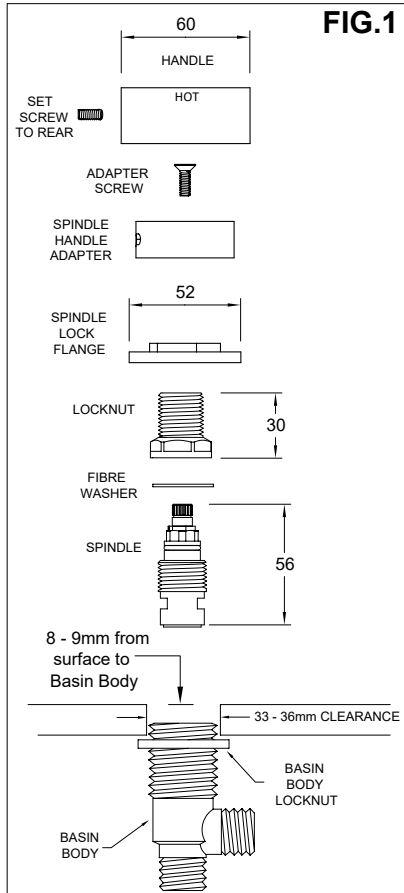


FIG.1

**NOTE: Basin Bodies are not supplied**

- Remove original Tapware, Spindles and Basin Body locknuts from the Top surface.
- Clean all mating surfaces.
- It is recommended to use a reseating tool to dress the seat of the Basin Body to ensure the Spindles have a flat surface to seal.
- The Basin Bodies must be set 8-9mm below the top surface. (See Fig.1)

**SPINDLE INSTALL**

- Carefully unpack the Tapware; note some parts have been combined for packaging purposes.
- Separate all parts as shown. (See Fig.1)
- Install the Spindle hand-tight until the seal of the Spindle firmly makes contact with the seat.
- Using an appropriate spanner tighten the Spindle another 1/8th of a turn. Do not over-tighten.
- Note; over-tightening the Spindles could damage the ceramic discs and in turn, void the manufacturer's warranty.
- Place the Fibre Washer over the seated Spindle and fit the Spindle Locknut. (Tighten well). (See Fig.1)
- Fit the Spindle Lock Flanges to secure the assembly to the mounting surface. (See Fig.2)
- Ensure the distance from the Top surface to end of Spindle is 22mm (as shown). Adjust if necessary. (See Fig.2)

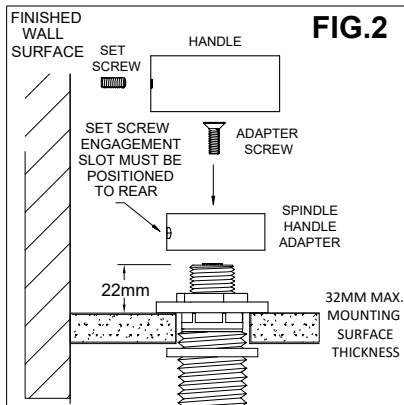


FIG.2

**HANDLE INSTALL (See Fig.2)**

- Attach the Spindle Handle Adapter and ensure the Set screw engagement slot is positioned to the rear.
- Fit and tighten the Adapter Screw to secure the Spindle Handle Adapter.
- Attach Handle to Spindle Handle Adapter.
- Align the Handle so that the Set Screw locates into the engagement slot at the rear.
- Fine tune the Handle position and then tighten the Set Screw using a 2.5mm Allen Key. (Tighten well)
- Note; the Handle should have 2-3mm clearance from the mounting Surface. (See Fig.3)

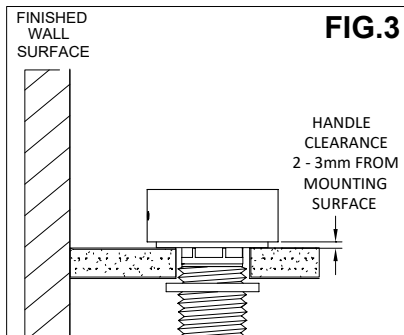


FIG.3

- After completing the installation, establish water supply, check function of Tapware and ensure no water leaks.

April 2016

**Plumbers, please ensure a copy of the Installation Instructions are left with the end user for future reference**