

SUSSEX

Sussex Oria Shower/Bath Wall Mixer - Step 1: Rough in

Tapware is to be installed by a Licensed Plumber in accordance with AS/NZS 3500:2003
 Recommended working water pressure 300 - 500 Kpa. Maximum water temperature is 65°C

ROUGH IN PLUMBING: Preparing components for installation into wall

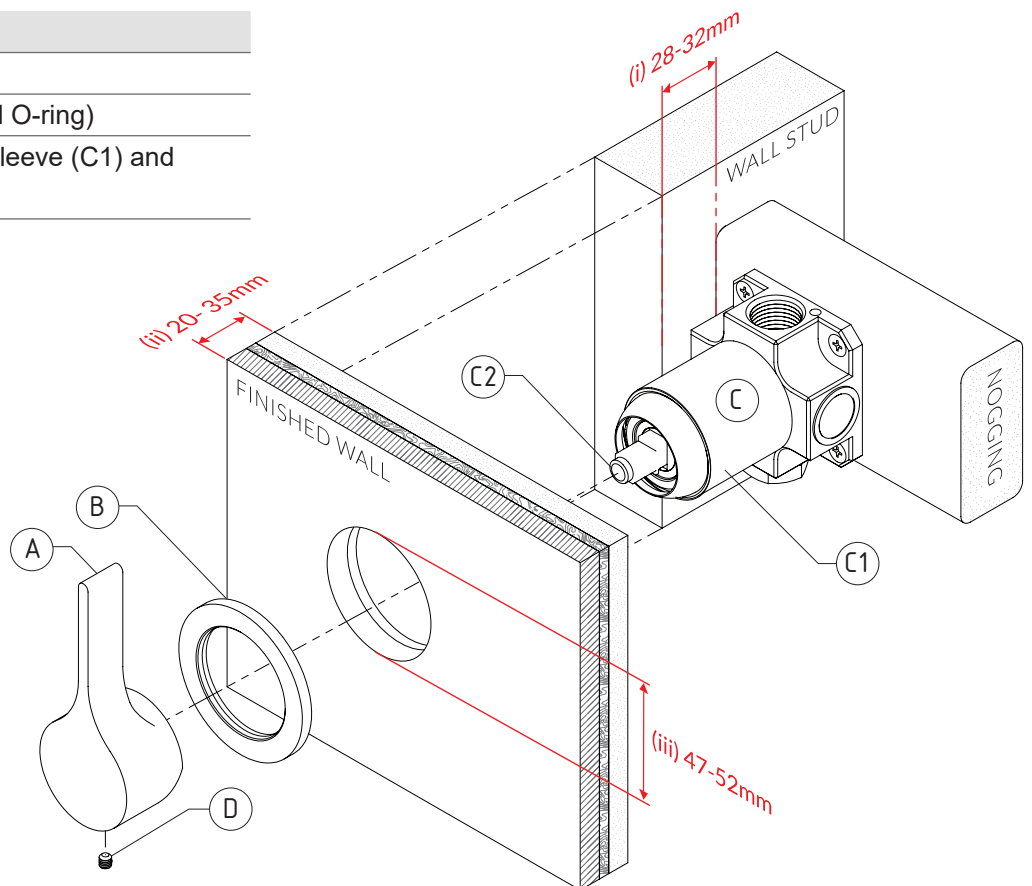
- Prior to installing, calculate the finished wall thickness to ensure the Cover Plate and Handle will fit at the final assembly. This should be between **20mm - 35mm (ii)**.
- The Mixer Body is supplied with a plastic cover to protect the Mixer Body during Plastering and Tiling.
- To aid in Plumbing, 2 Outlet Ports have been provided in the Mixer Body (Shower and Bath), only 1 Outlet Port can be used.
- Apply thread sealant to the supplied Pressure Plug and seal either the Shower or Bath Outlet Port not being used.
- Using the screws provided, fix the Mixer Body to a prepared Nogging or purpose built frame.
- For best results, mount the Nogging **28mm - 32mm (i)** back. The shoulder of the Mixer Body should be flush with the front face of the stud.
- The Hot/Cold Ports are marked on the shoulder of the Mixer body to indicate the correct mounting position.
- Ensure the Mixer body is aligned square after fixing Nogging between the Stud.

- Flush all water feed lines. All lines must be free from any dirt and debris before connecting to the Mixer.
- Once all water connections are made, check Hot/Cold water flow by operating the Mixer Cartridge.
- Leave the Mixer in the closed position (Horizontal) and replace the protective cover.
- Store remaining parts in a safe place until wall coverings have been completed and final fit-off is required (Dress finishing).

PLUMBER'S NOTE

- On-site testing using higher water pressures must be conducted with the mixer in the closed position (static test).
- Under no circumstances is the mixer to be opened when exceeding the maximum stated water pressure.
- At completion of testing, do not relieve any high water pressure by operating the mixer.
- Exposing the internals of the Mixer Cartridge to higher than specified water pressures will void the manufacturer's warranty.

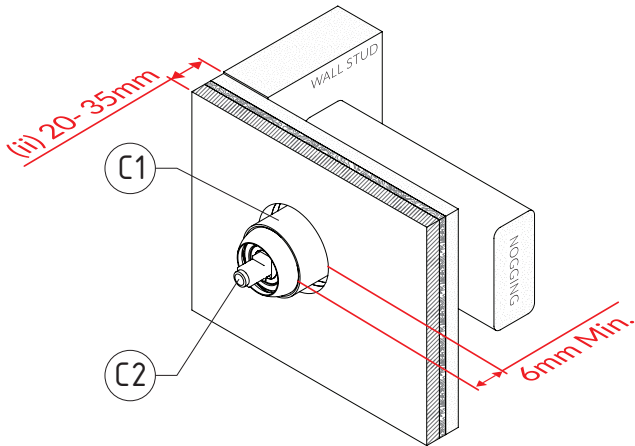
Part	Part Name
A	Handle
B	Dress Ring (Including internal O-ring)
C	Wall Mixer Body - including Sleeve (C1) and Cartridge Lever (C2)
D	Set Screw



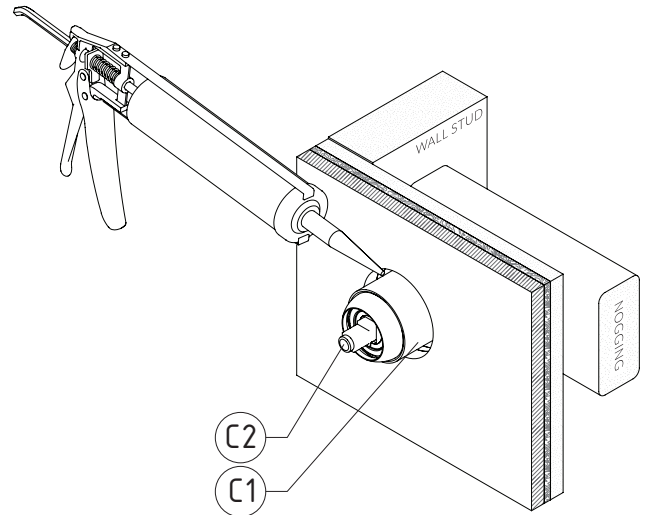
SUSSEX

Sussex Oria Shower/Bath Wall Mixer - Step 2: Fitting Off

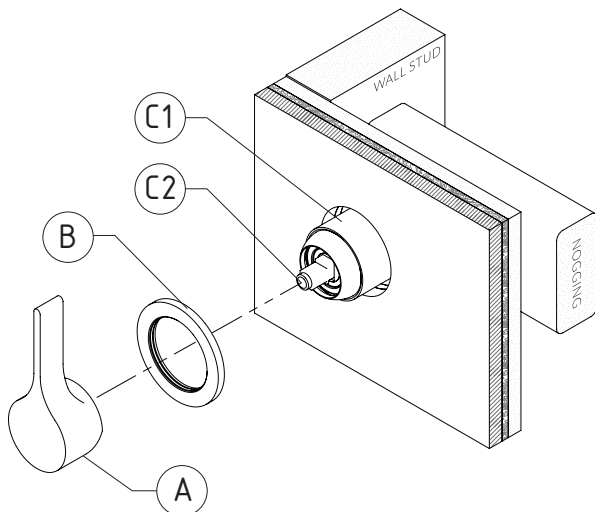
1) If the shoulder of the Mixer Body (C) was fixed flush with the stud then the maximum thickness of the wall covering can be **35mm**. The sleeve of the mixer (C1) must be protruding past the finished wall by a minimum of **6mm**. If the sleeve protrudes less than **6mm** past the finished wall then contact the supplier for possible sleeve extension.



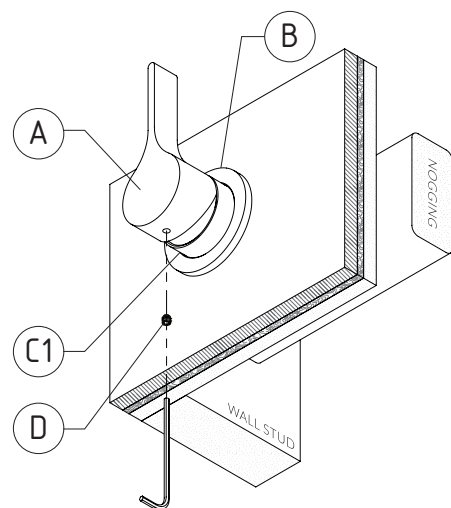
2) Ensure area is clean and clear of debris. Apply suitable sealant to the wall penetration.



3) Slide the Dress Ring (B) over the Wall Mixer Sleeve (C1) to meet the finished wall. Fit Handle (A) onto the cartridge lever (C2).



4) Ensure that the Handle (A) is fully engaged on the cartridge lever (C2). Secure the handle by tightening the Set Screw (D). Tighten well. The lever of the Handle (A) is to point up. Pulling the lever away from the wall will allow water flow.



After installation, establish water supply and thoroughly check operation of tapware to ensure that it functions correctly and no water leaks. Plumbers, please ensure a copy of the Installation Instructions are left with the end user for future reference