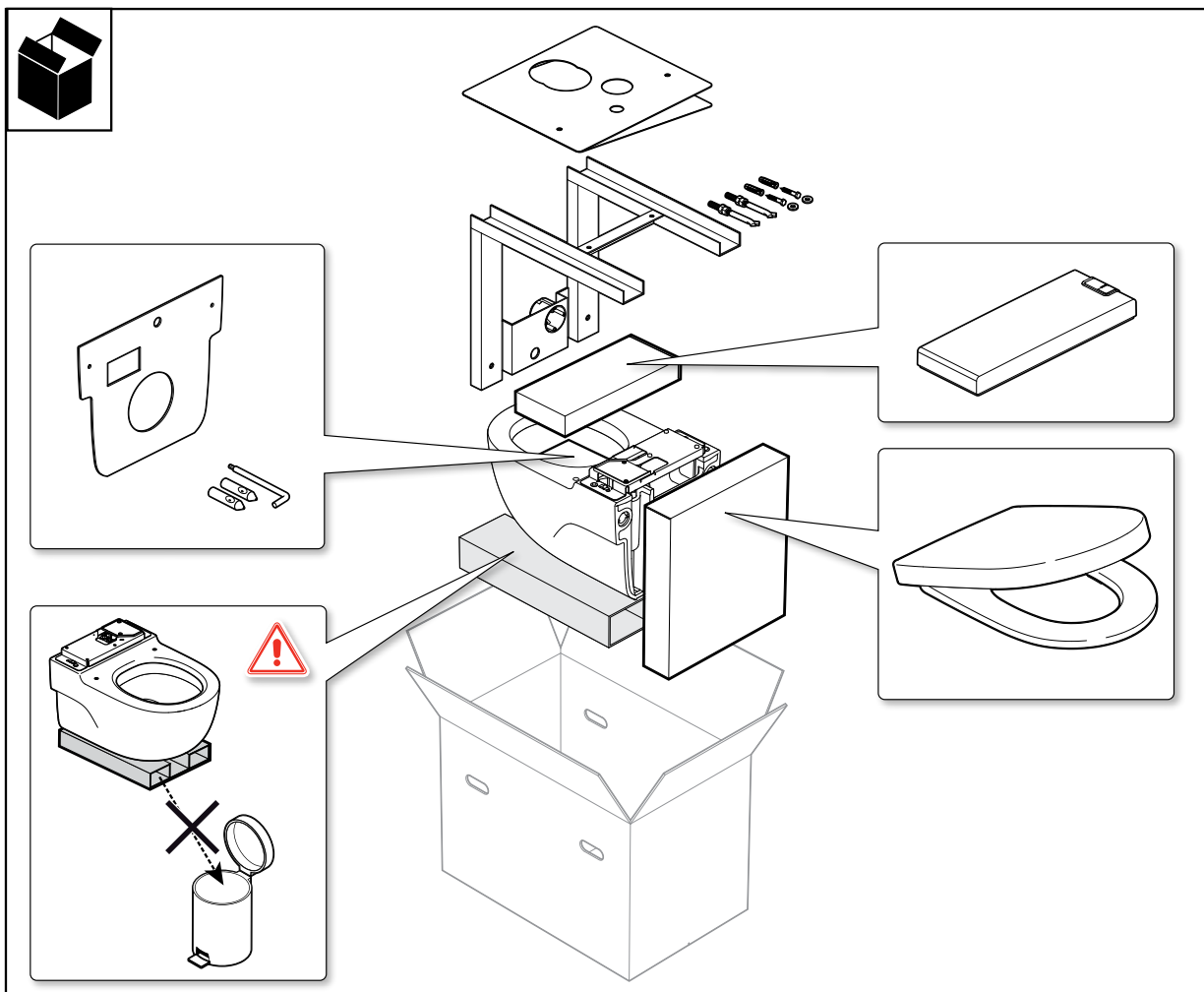
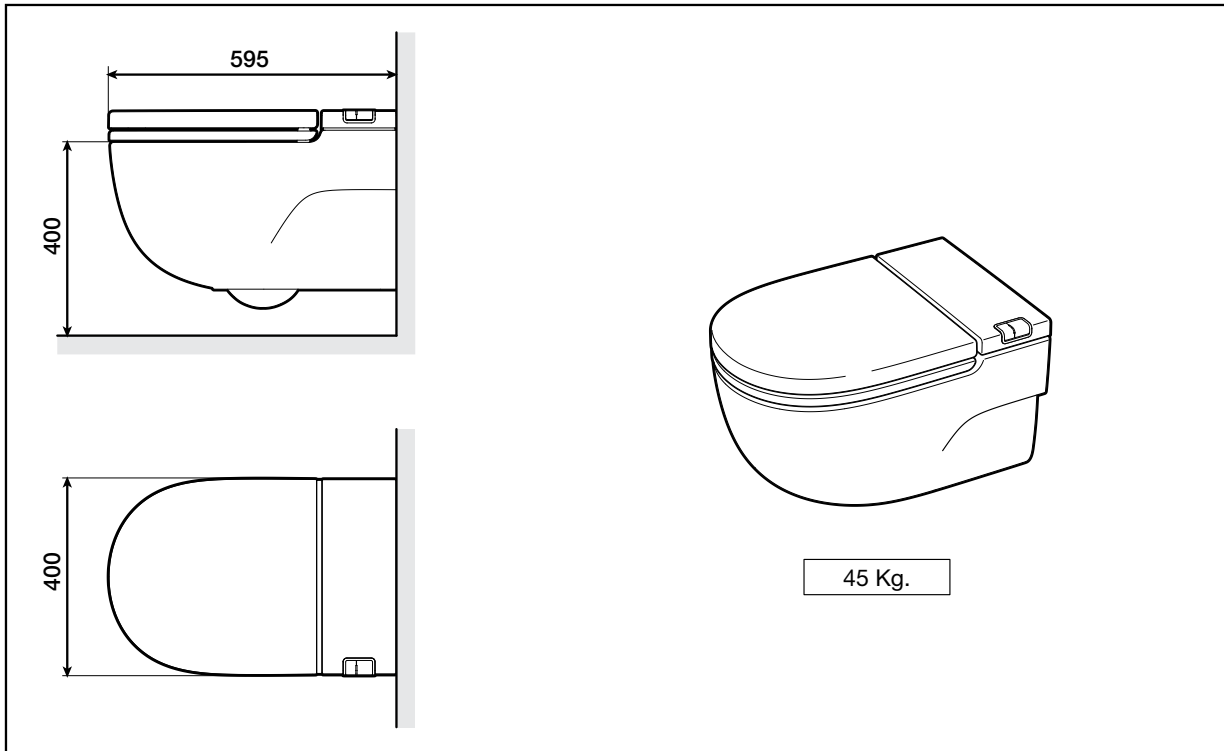


ROCA

MERIDIAN IN TANK WALL HUNG PAN L SUPPORT (HOLLOW WALL)

INSTALLATION INSTRUCTIONS

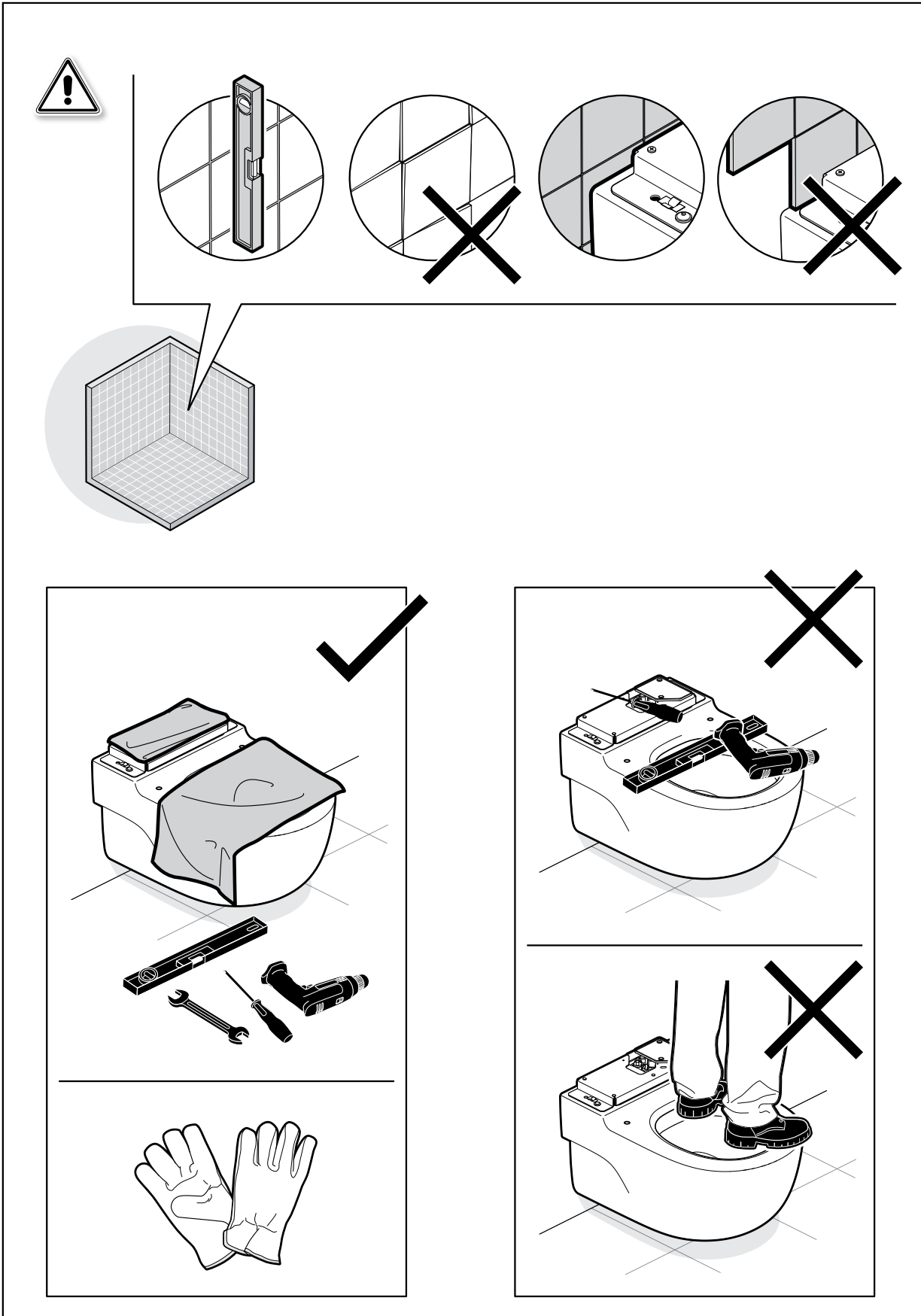
Note- This product will be required to be installed by a licenced plumber and electrician



Plumbers, please ensure a copy of the installation instructions is left with the end user for future reference

ROCA

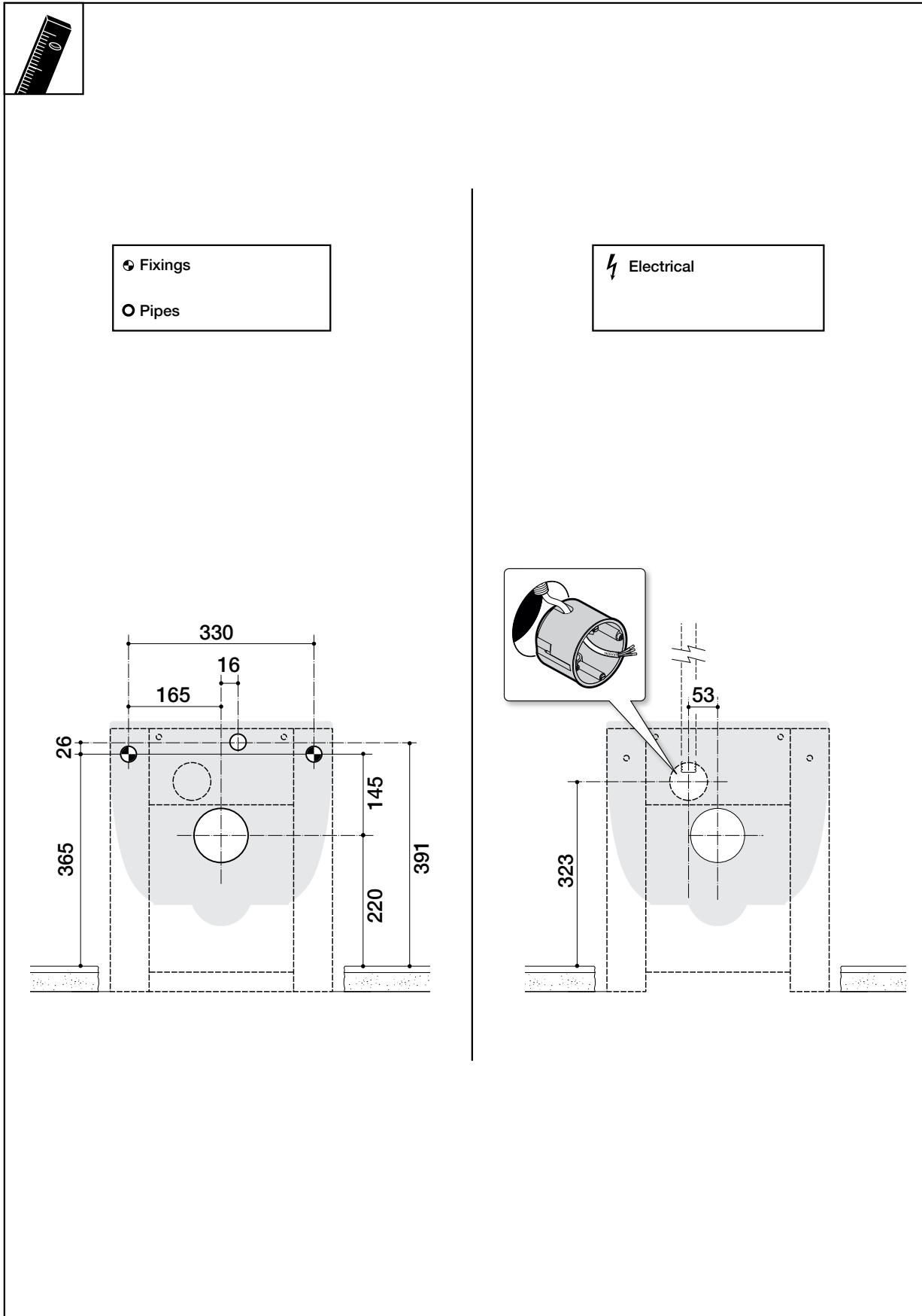
**MERIDIAN IN TANK WALL HUNG PAN L SUPPORT
(HOLLOW WALL)**



Plumbers, please ensure a copy of the installation instructions is left with the end user for future reference

ROCA

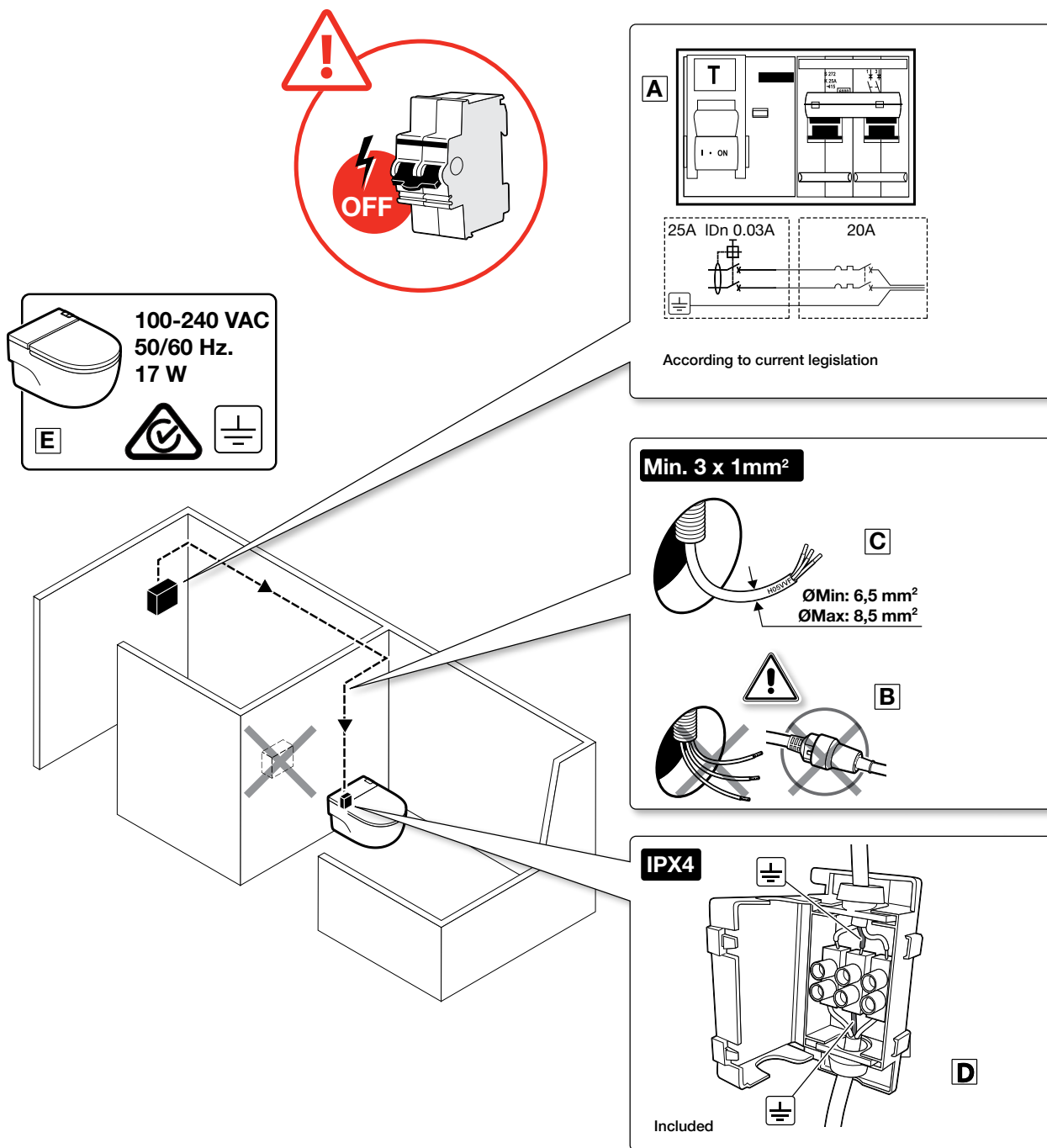
MERIDIAN IN TANK WALL HUNG PAN L SUPPORT (HOLLOW WALL)



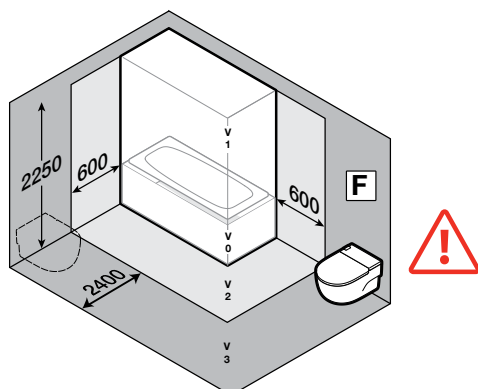
Plumbers, please ensure a copy of the installation instructions is left with the end user for future reference

ROCA

MERIDIAN IN TANK WALL HUNG PAN L SUPPORT (HOLLOW WALL)



V = Volume



A The electrical installation must be protected by means of a IDn 0,03A and 25A differential switch and a magnetothermal switch of 20A. Both switches must be placed outside the bathroom.

B The power connection of this product must be permanently connected to a fixed electricity line. Placement of a plug is not acceptable.

C The electrical line to be installed must be a flexible cable consisting of three wires (active, neutral, earth) of at least 1mm² of section exclusively dedicated to the WC. In the event that, due to failure, it is necessary to handle or replace the power cable, this must only be done by Technical Service staff.

D The power connection must only be done inside the included IPX4 electrical box. In case of making a junction of the electrical line must be also used a box of this type.

E The range of function of the WC is 240V, 50Hz.

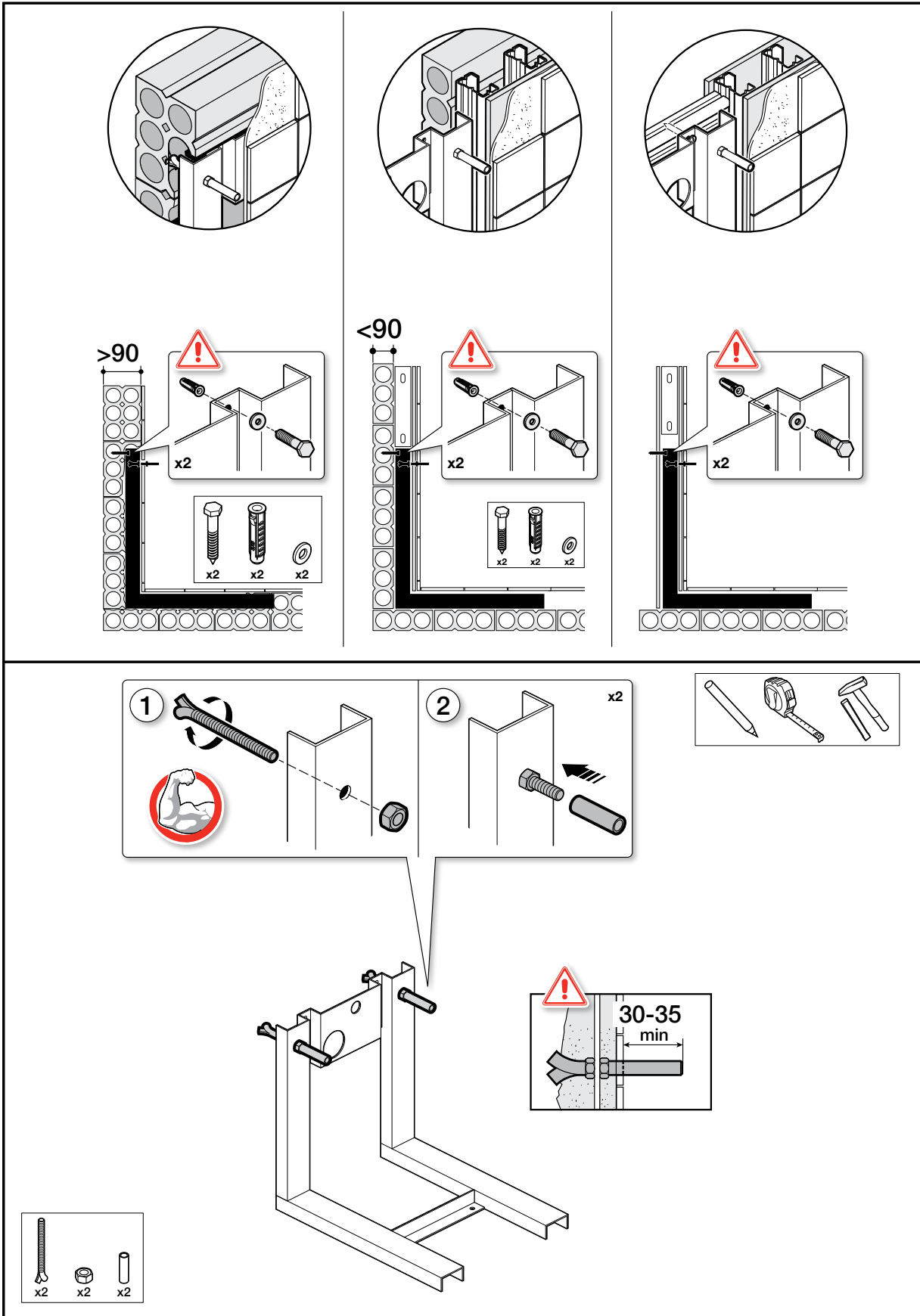
F The WC must be installed in the protection volume 3 of the bathroom. No electrical device must be introduced inside the WC.

NOTE: This product must be installed by qualified personnel, in according with the national current regulation.

Plumbers, please ensure a copy of the installation instructions is left with the end user for future reference

ROCA

MERIDIAN IN TANK WALL HUNG PAN L SUPPORT (HOLLOW WALL)

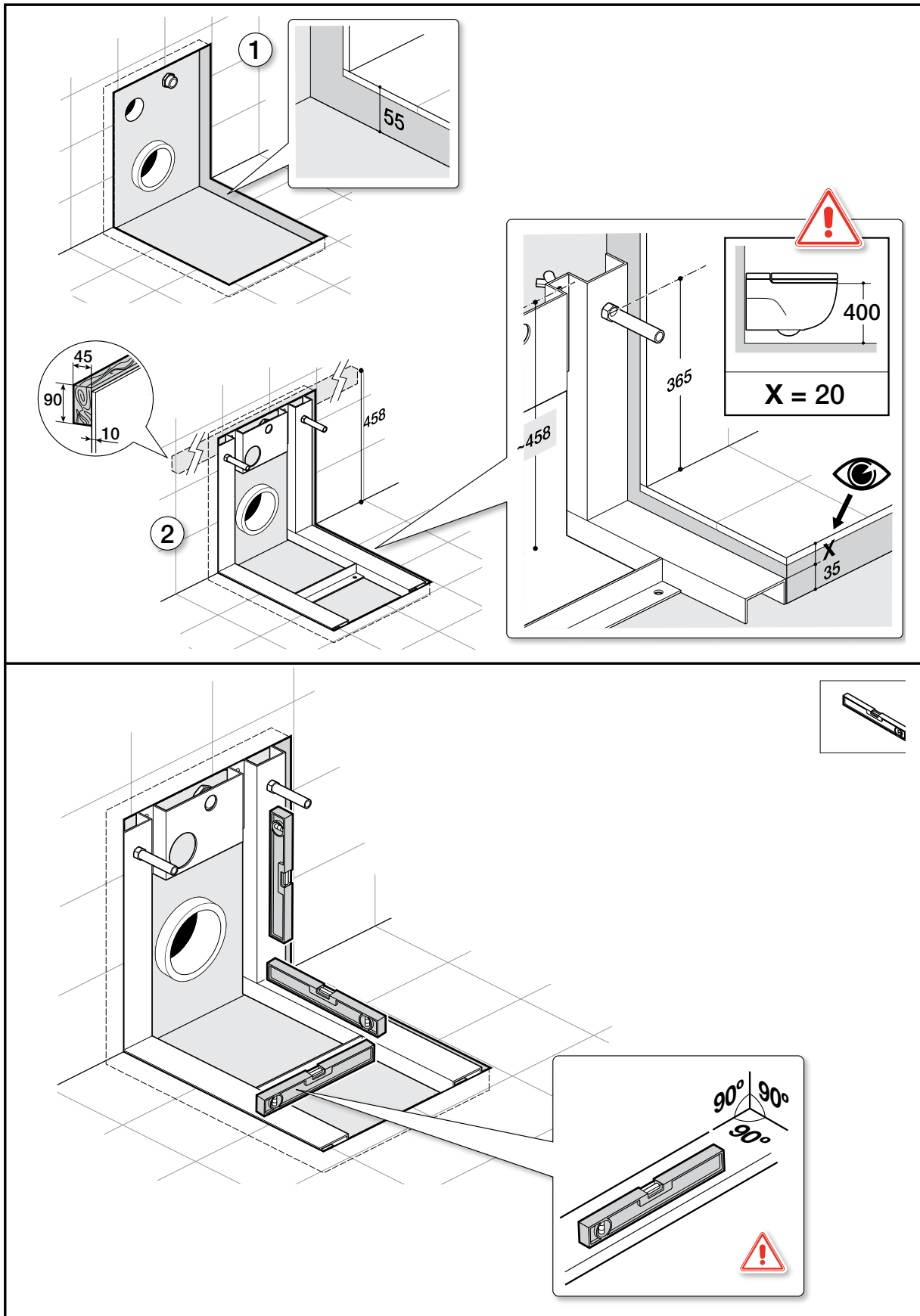


Plumbers, please ensure a copy of the installation instructions is left with the end user for future reference

ROCA

MERIDIAN IN TANK WALL HUNG PAN L SUPPORT (HOLLOW WALL)

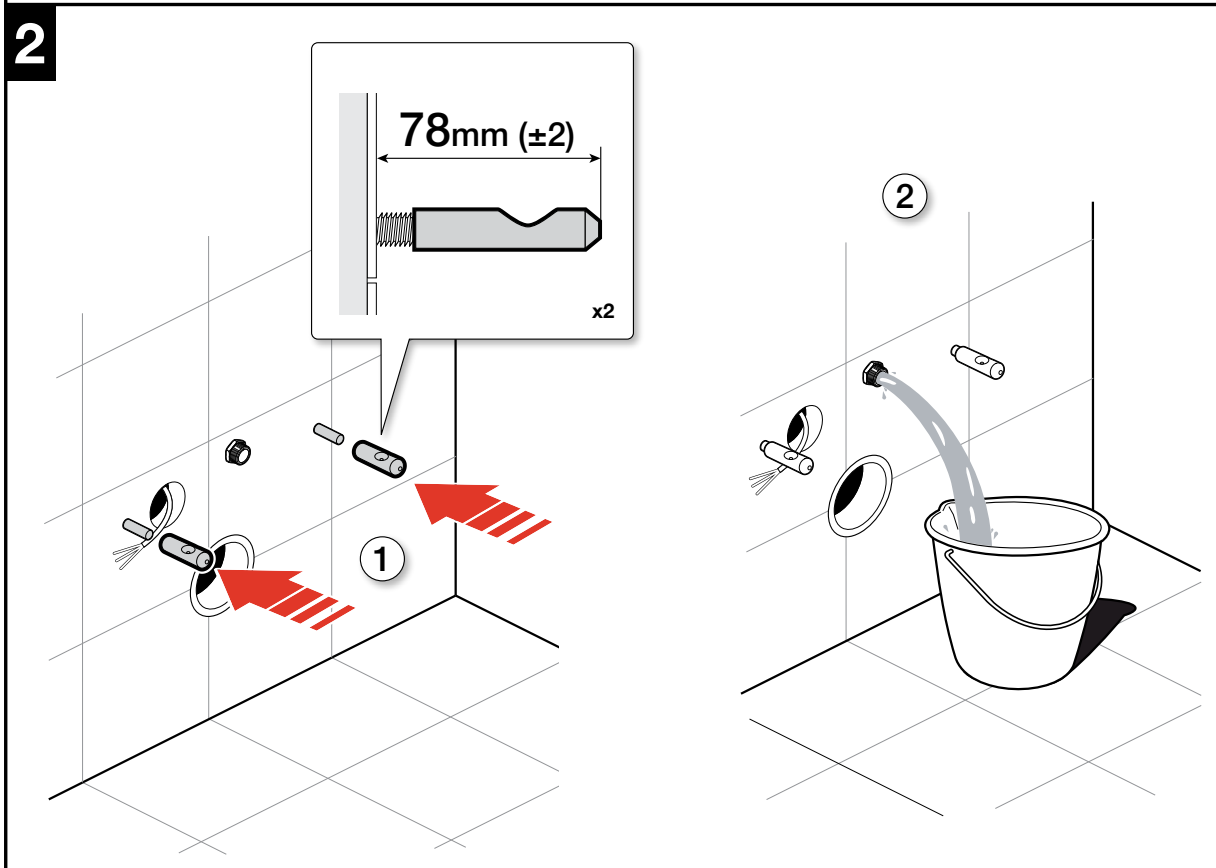
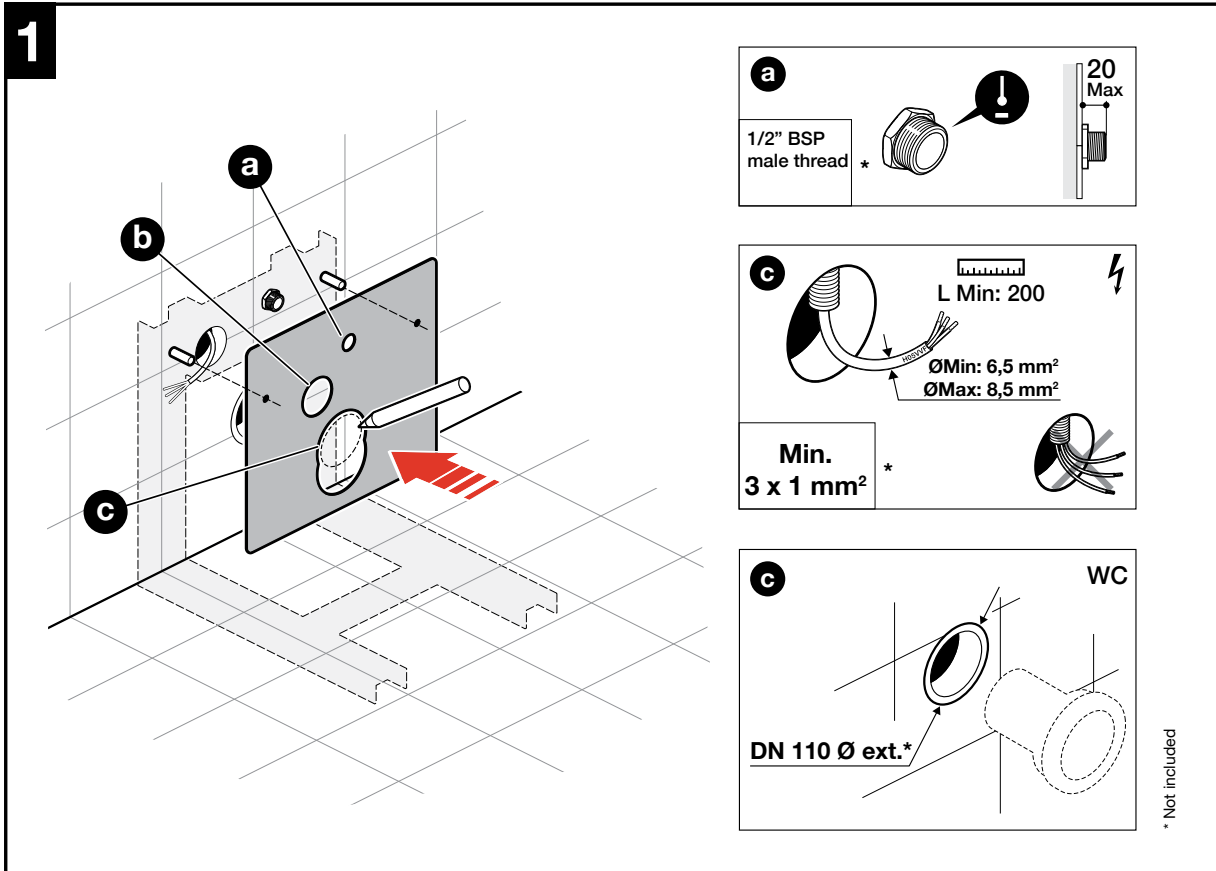
Note- Frame is to be fixed onto the ground with suitable fixing



Plumbers, please ensure a copy of the installation instructions is left with the end user for future reference

ROCA

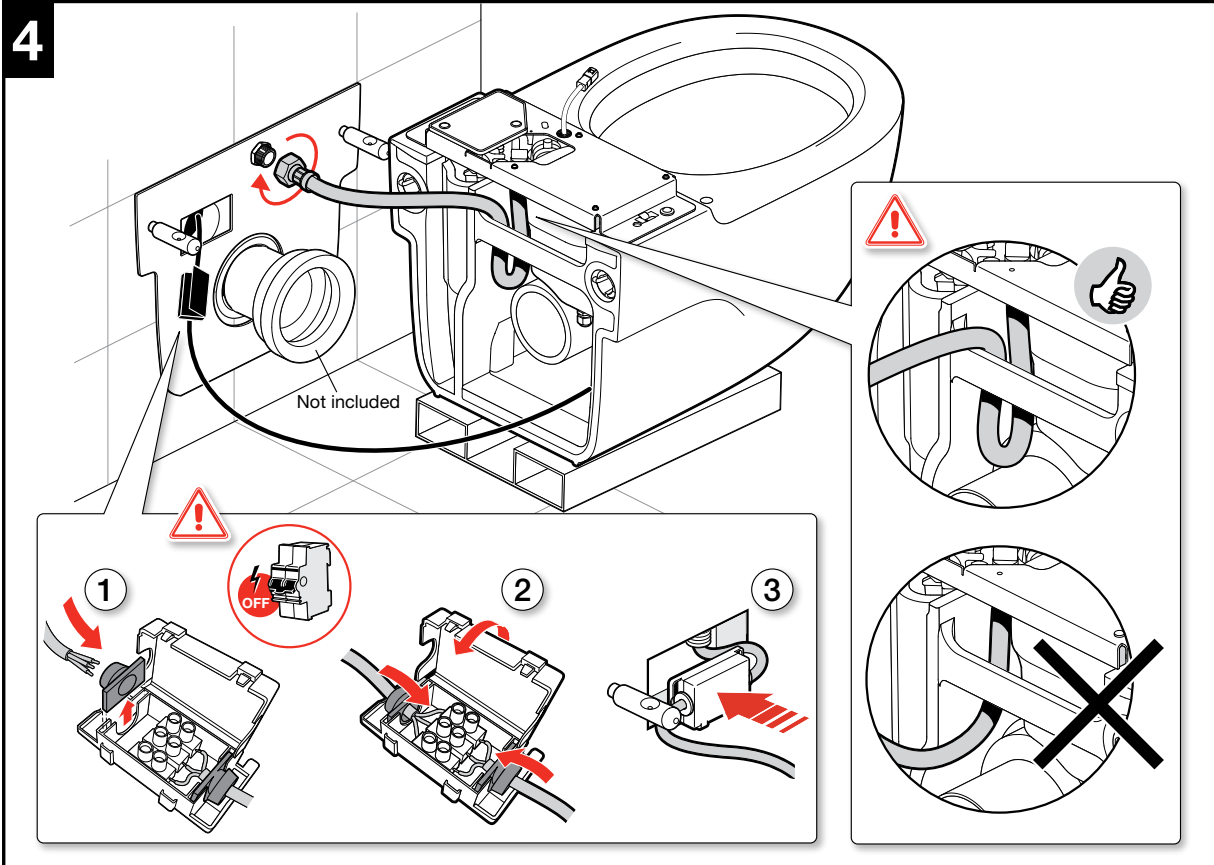
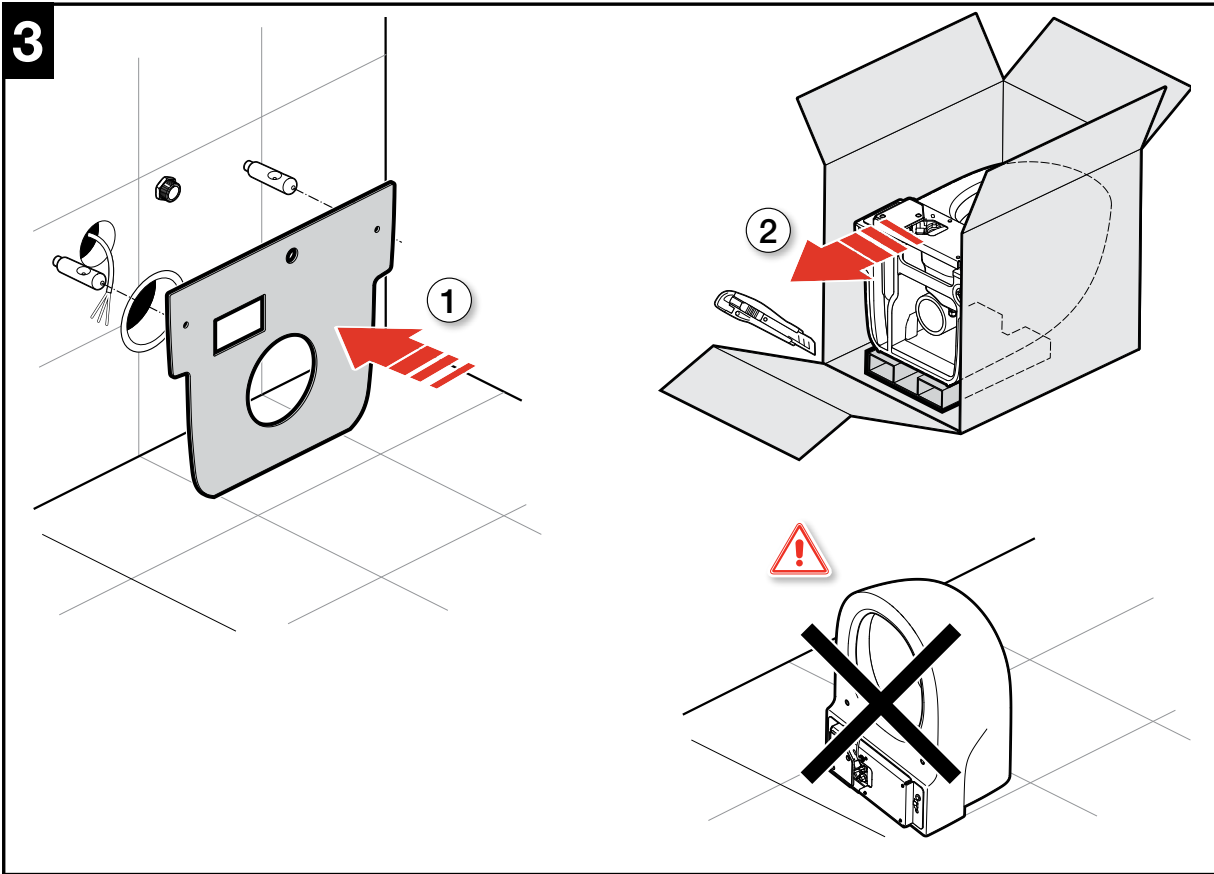
MERIDIAN IN TANK WALL HUNG PAN L SUPPORT (HOLLOW WALL)



Plumbers, please ensure a copy of the installation instructions is left with the end user for future reference

ROCA

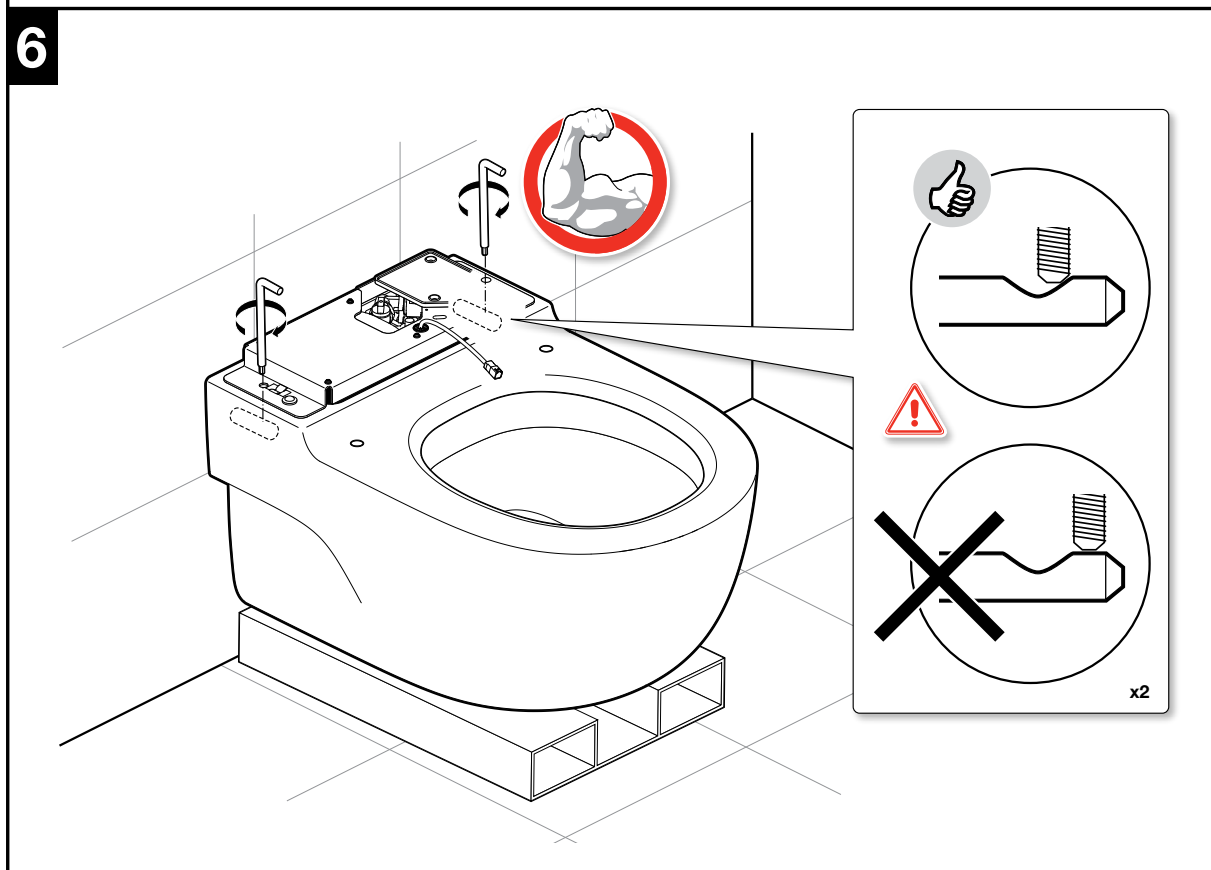
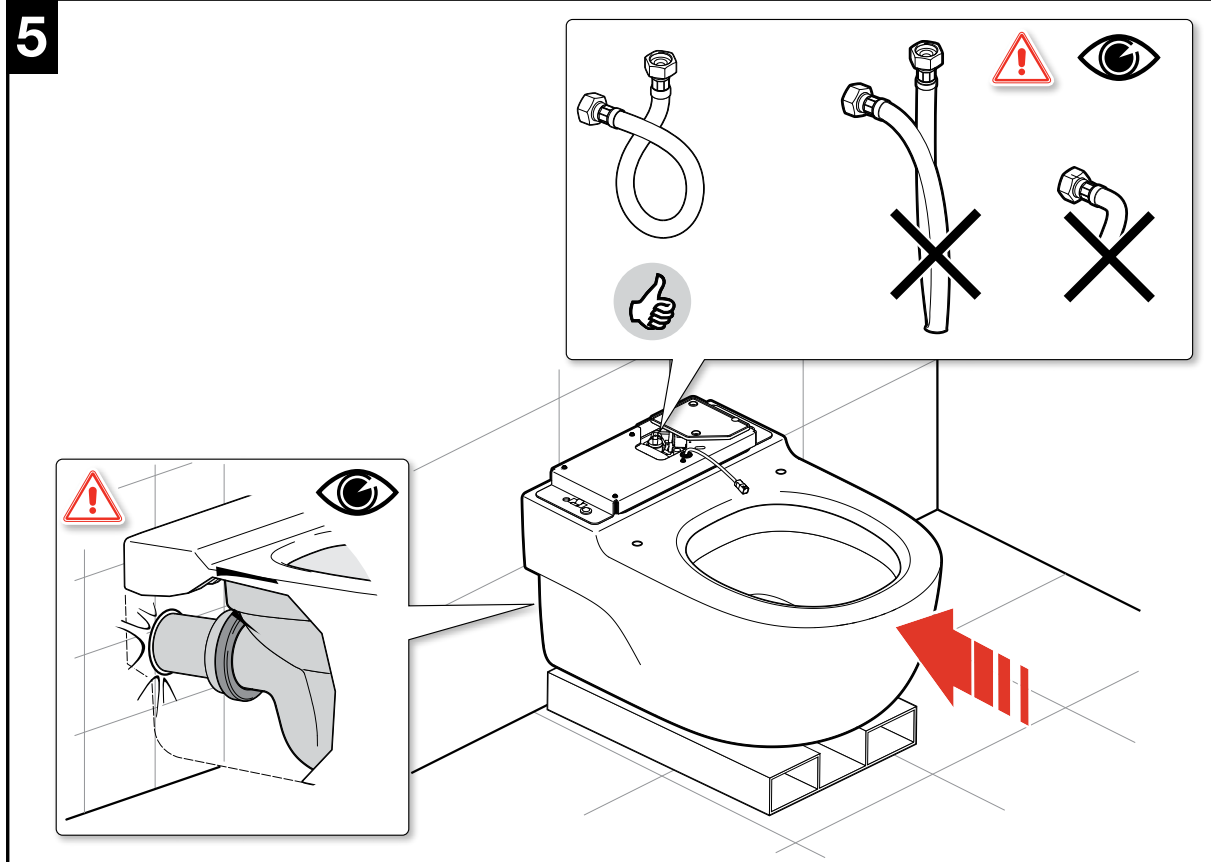
MERIDIAN IN TANK WALL HUNG PAN L SUPPORT (HOLLOW WALL)



Plumbers, please ensure a copy of the installation instructions is left with the end user for future reference

ROCA

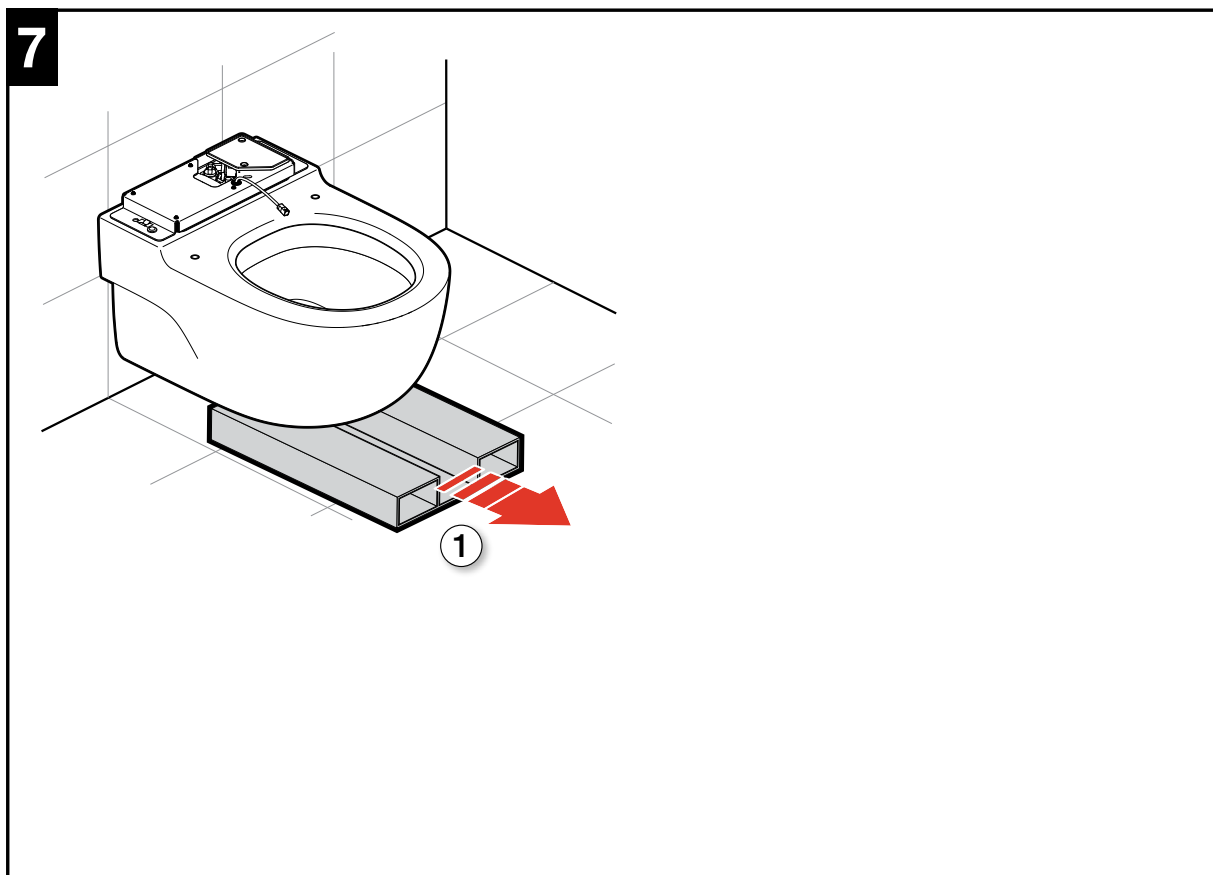
MERIDIAN IN TANK WALL HUNG PAN L SUPPORT (HOLLOW WALL)



Plumbers, please ensure a copy of the installation instructions is left with the end user for future reference

ROCA

MERIDIAN IN TANK WALL HUNG PAN L SUPPORT (HOLLOW WALL)



Plumbers, please ensure a copy of the installation instructions is left with the end user for future reference

ROCA

MERIDIAN IN TANK WALL HUNG PAN L SUPPORT (HOLLOW WALL)

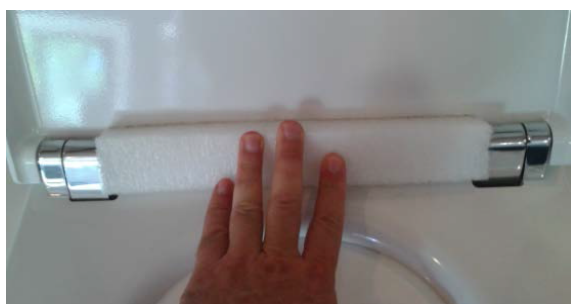
SEAT INSTALLATION



1. Cover damper
2. Seat damper
3. Grub screw cover
4. Washer
5. Screws Fixings
6. Toggles
7. Spacer
8. Allen key (for Screw fixing)
9. Allen key (for Grub Screw)

ROCA MERIDIAN IN TANK WALL HUNG PAN L SUPPORT (HOLLOW WALL)

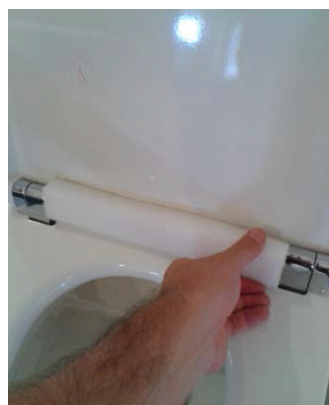
SEAT INSTALLATION



Plumbers, please ensure a copy of the installation instructions is left with the end user for future reference

ROCA MERIDIAN IN TANK WALL HUNG PAN L SUPPORT (HOLLOW WALL)

SEAT INSTALLATION

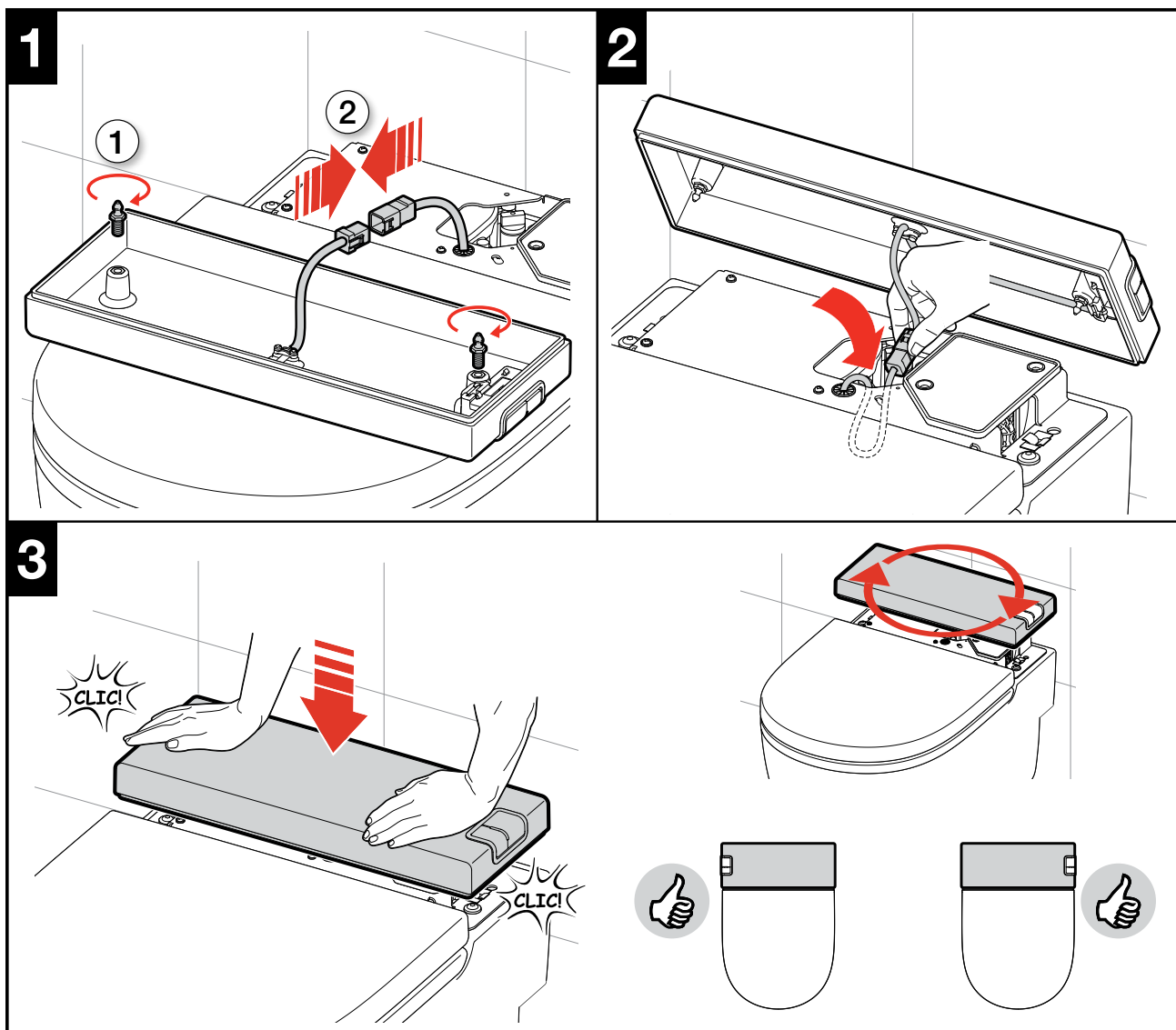
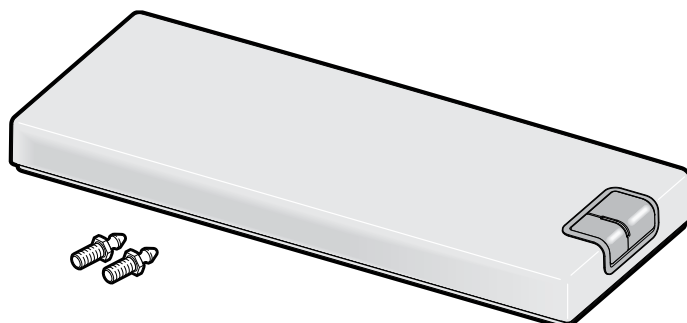


NOTE: Check there is no play and functioning correctly.

Plumbers, please ensure a copy of the installation instructions is left with the end user for future reference

ROCA MERIDIAN IN TANK WALL HUNG PAN L SUPPORT (HOLLOW WALL)

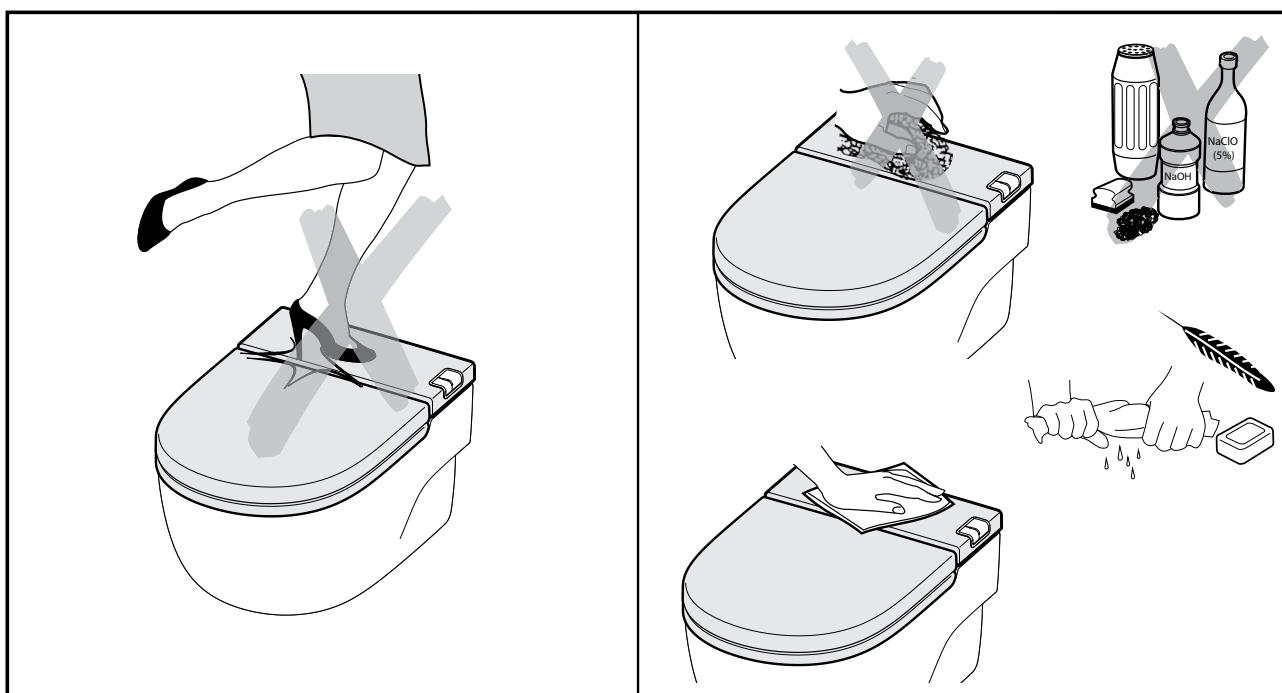
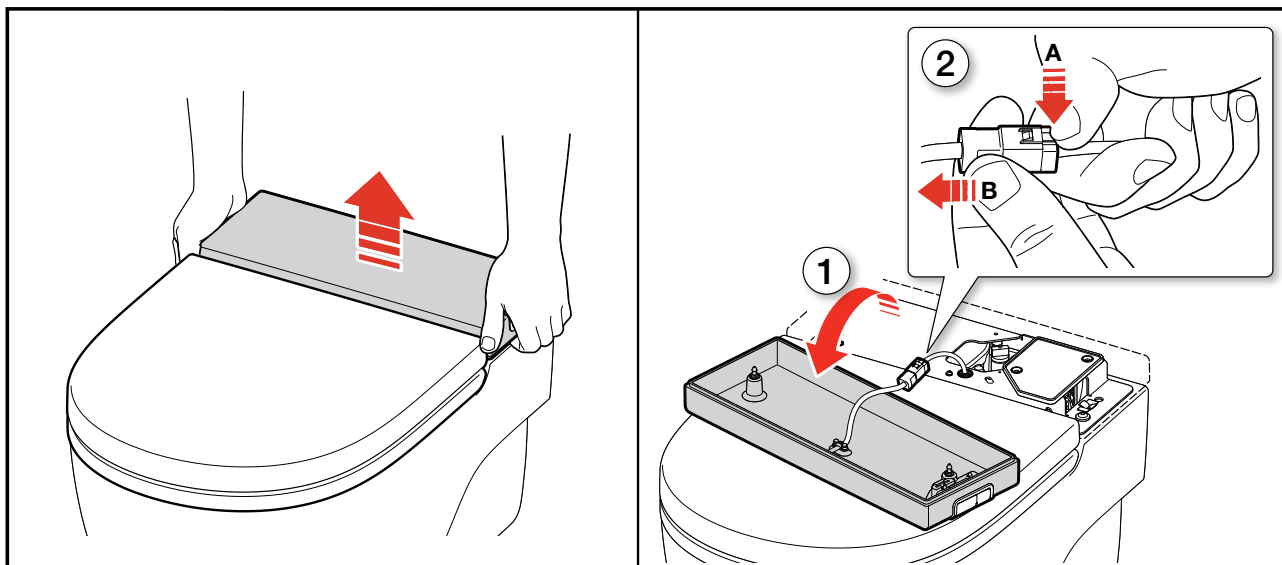
BACK COVER INSTALLATION



Plumbers, please ensure a copy of the installation instructions is left with the end user for future reference

ROCA MERIDIAN IN TANK WALL HUNG PAN L SUPPORT (HOLLOW WALL)

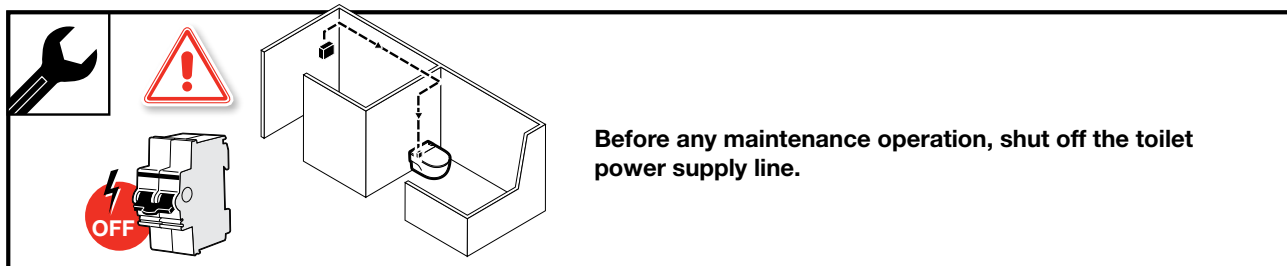
BACK COVER INSTALLATION



Plumbers, please ensure a copy of the installation instructions is left with the end user for future reference

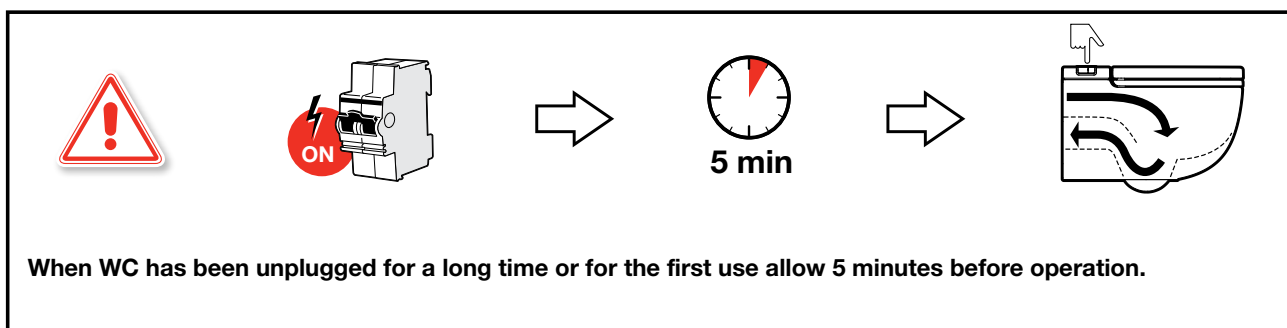
ROCA MERIDIAN IN TANK WALL HUNG PAN L SUPPORT (HOLLOW WALL)

MAINTENANCE



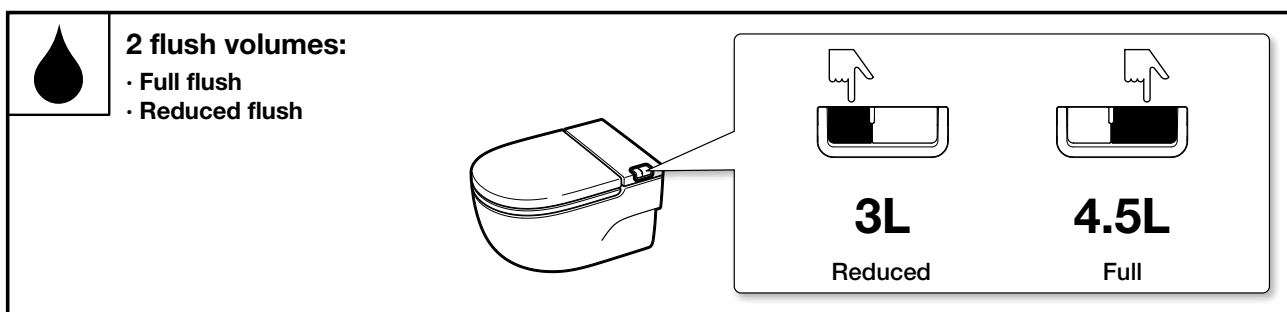
Before any maintenance operation, shut off the toilet power supply line.

The diagram shows a wrench icon, a warning triangle, a toilet flush valve with a red 'OFF' button, and a cross-section of a toilet tank wall with a flush valve installed.



When WC has been unplugged for a long time or for the first use allow 5 minutes before operation.

The diagram shows a warning triangle, a toilet flush valve with a red 'ON' button, an arrow pointing to a clock icon labeled '5 min', another arrow pointing to a toilet bowl with a hand icon and a curved arrow indicating a flush.



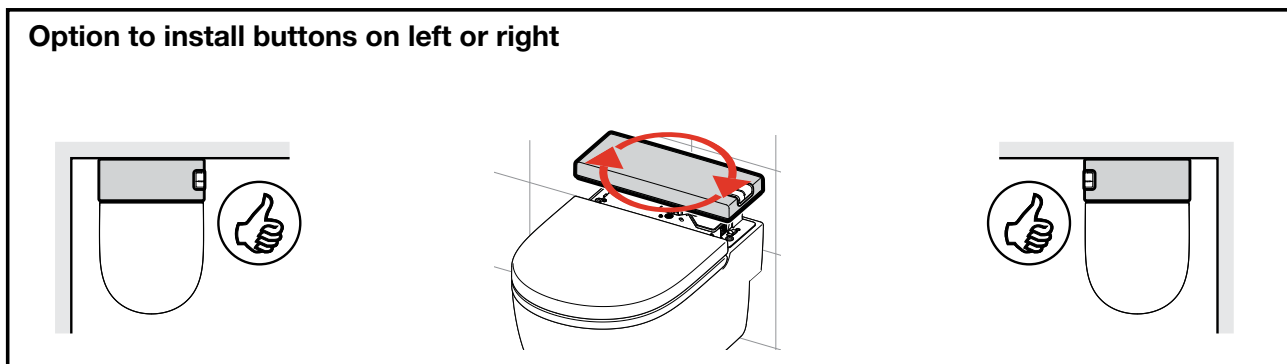
2 flush volumes:

- Full flush
- Reduced flush

3L Reduced 4.5L Full

The diagram shows a toilet bowl with a hand icon and a curved arrow indicating a flush. To the right, two diagrams show the water level in the bowl for 'Reduced' (3L) and 'Full' (4.5L) flushes.

Option to install buttons on left or right



The diagram shows three options for installing the flush button: on the left side of the toilet, on the right side of the toilet, and on the top of the toilet tank. Each option is accompanied by a thumbs-up icon.

ROCA

MERIDIAN IN TANK WALL HUNG PAN L SUPPORT (HOLLOW WALL)

Flush volume adjustment

Decrease aprox. 0.5L Increase aprox. 0.5L

Light signal

After 1 or more flushes, the light flashes softly to indicate that the water tank is filling.

Tank capacity

The water tank has 9 litres capacity, it allows the toilet to flush 3 times with 3L or 2 times with 4.5L if the water supply fails.

Power supply failure

- In case of power supply failure, the toilet remains operative for a number of flushes (see table).
- When there is not enough power in the toilet, the light flashes at a high frequency.

	1	2	3	4	5	6	7	8	9	10	11	12
3L	█	█	█	█	█	█	█	█	█	█	█	█
4.5L	█	█	█	█	█	█	█	█	█	█	█	█

Plumbers, please ensure a copy of the installation instructions is left with the end user for future reference

ROCA

MERIDIAN IN TANK WALL HUNG PAN L SUPPORT (HOLLOW WALL)

In case of long periods without use

①

②

③

④

When not using for a long period (especially in cold places to avoid the risk of freezing of the water in the tank, which could damage the toilet):

- ① Remove rear cover
- ② Close the stop valve
- ③ Flush until no water flushes
- ④ Shut off power supply line

Temperature usage range

5°C 45°C	<p>It is not recommended to install in places out of this range</p>
---	---

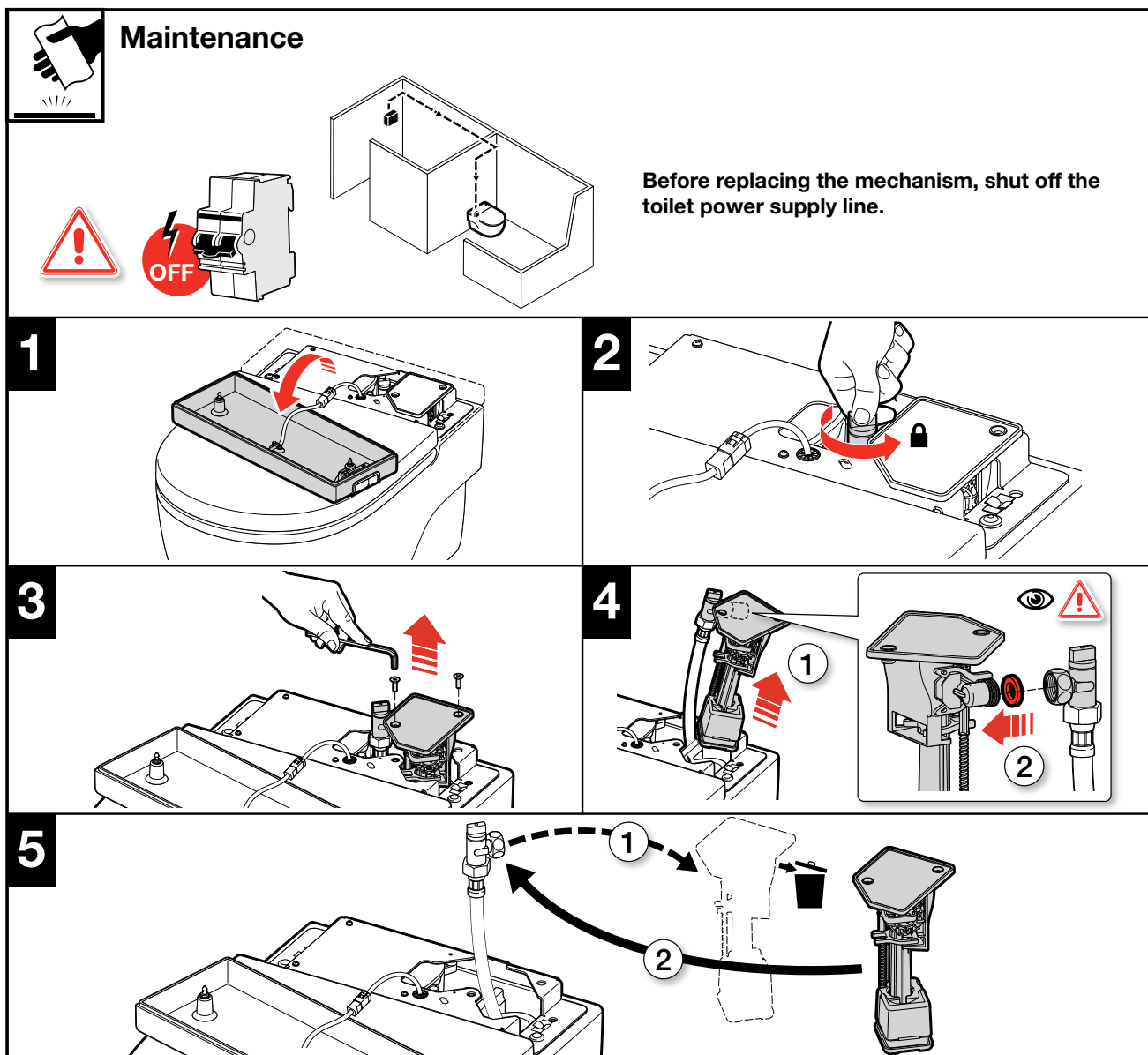
Range of inlet pressure

50 kPa ~ 500 kPa	<p>It is not recommended to install in places out of this range</p>
---	---

Plumbers, please ensure a copy of the installation instructions is left with the end user for future reference

ROCA

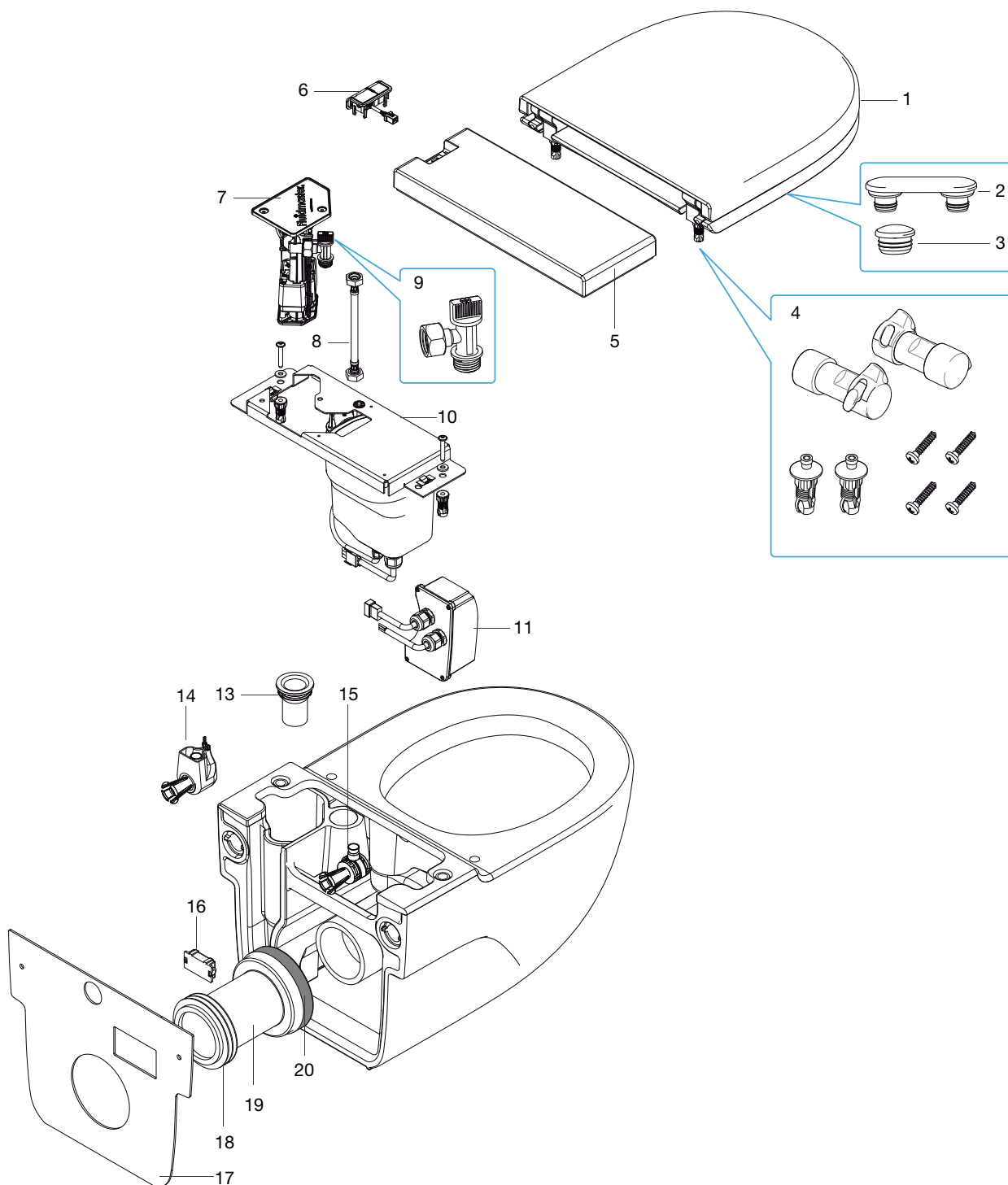
MERIDIAN IN TANK WALL HUNG PAN L SUPPORT (HOLLOW WALL)



ROCA

MERIDIAN IN TANK WALL HUNG PAN L SUPPORT (HOLLOW WALL)

SPARE PARTS







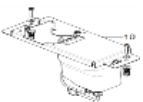
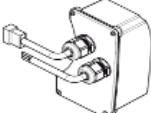

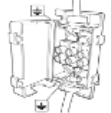





Plumbers, please ensure a copy of the installation instructions is left with the end user for future reference

ROCA

MERIDIAN IN TANK WALL HUNG PAN L SUPPORT (HOLLOW WALL)

SPARE PARTS

Picture	Reece Code	Product Description
	9506158	MERIDIAN IN TANK TOILET SEAT (PART 1, 2 , 3 AND 4)
 Pack of 4	9506159	MERIDIAN IN TANK SEAT BUFFER - BOTTOM FLAP (PART 2)
 Pack of 2	9506160	MERIDIAN IN TANK SEAT BUFFER - TOP FLAP (PART 3)
	9506161	MERIDIAN IN TANK TOILET SEAT FIXING SET (PART 4)
	9506162	MERIDIAN IN TANK CISTERN LID INCLUDING PUSH BUTTON (PART 5 AND 6)
	9506163	MERIDIAN IN TANK INLET VALVE (PART 7)
	9506164	MERIDIAN IN TANK ASSEMBLY BLOWER (PART 10)
	9506165	MERIDIAN IN TANK CONTROL BOX (PART 11)
	9506166	MERIDIAN IN TANK FIXING FOR WALL HUNG PAN (PART: 14 &15)
	9506168	MERIDIAN IN TANK ELECTRICAL JUNCTION BOX (PART 16)
	9506169	MERIDIAN IN TANK ADHESIVE FORM GASKET (PART 17)
	9506170	MERIDIAN IN TANK WALL FIXING BOLT SET
	9506172	MERIDIAN IN TANK WALL HUNG PAN TEMPLATE

Plumbers, please ensure a copy of the installation instructions is left with the end user for future reference