

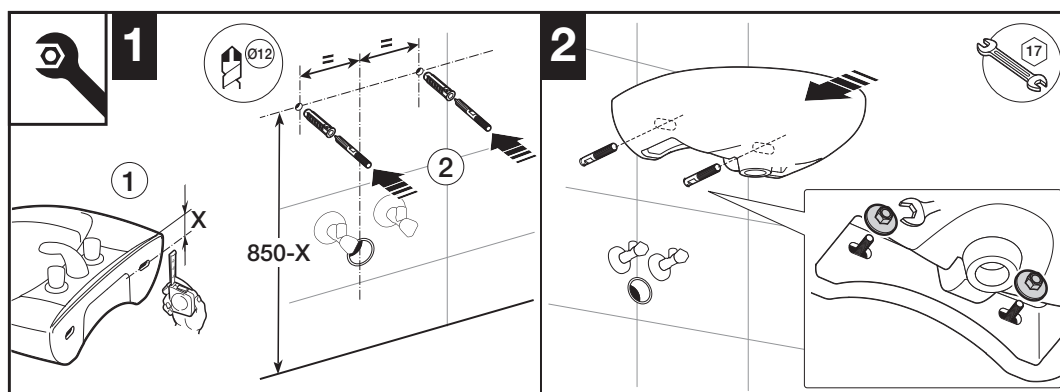
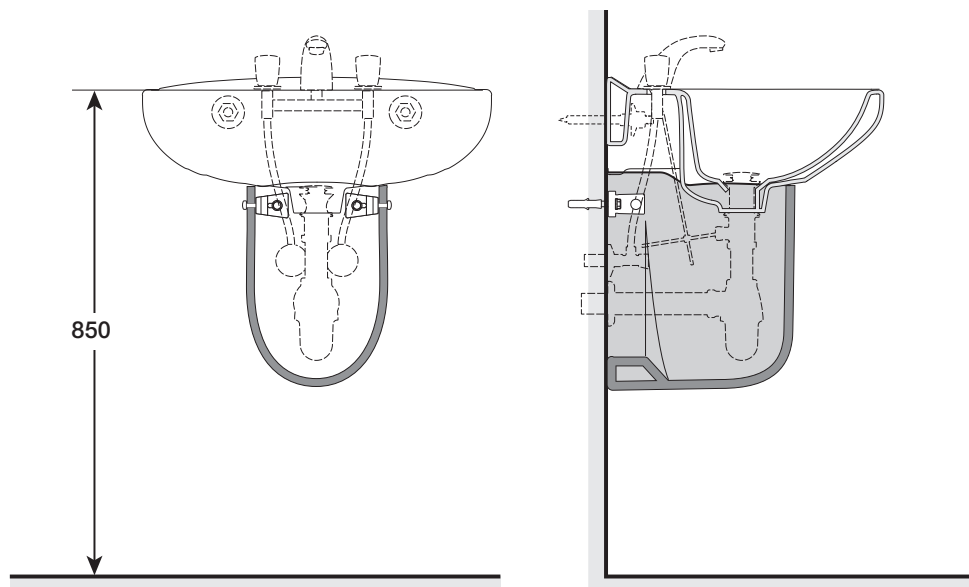
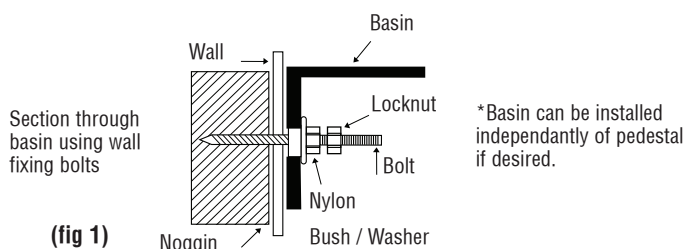
ROCA

VICTORIA SEMI PEDESTAL

INSTALLATION

Note: All measurements are taken from finished wall and floor. If basin is installed at different height to that recommended, all other measurements must be adjusted accordingly. If fixing to timber framed walls or partitioning, the wall should be reinforced with noggins to receive fixing bolts/screws for both the basin and the semi-ped.

- Drill holes into walls at recommended height and fixing centres and install fixing bolts supplied (fig 1).
- Fit selected tapware to basin. Fit the supplied overflow waste to basin ensuring it is sealed with silicone on top.
- Carefully align basin complete with fittings onto protruding bolts.
- Insert nylon bushes and locking nut and partially tighten lock nuts to hold basin into position. Make minor adjustments at this stage to ensure basin is level and then fully tighten lock nuts. Do not over tighten.
- If desired all visible external edges can be joint sealed using flexible sealant ensuring to wipe off any excess.
- For fitting of semi-ped under basin, please refer to pictorial steps 3 to 8. Make minor adjustments to basin height if required before finally tightening basin locking nuts.

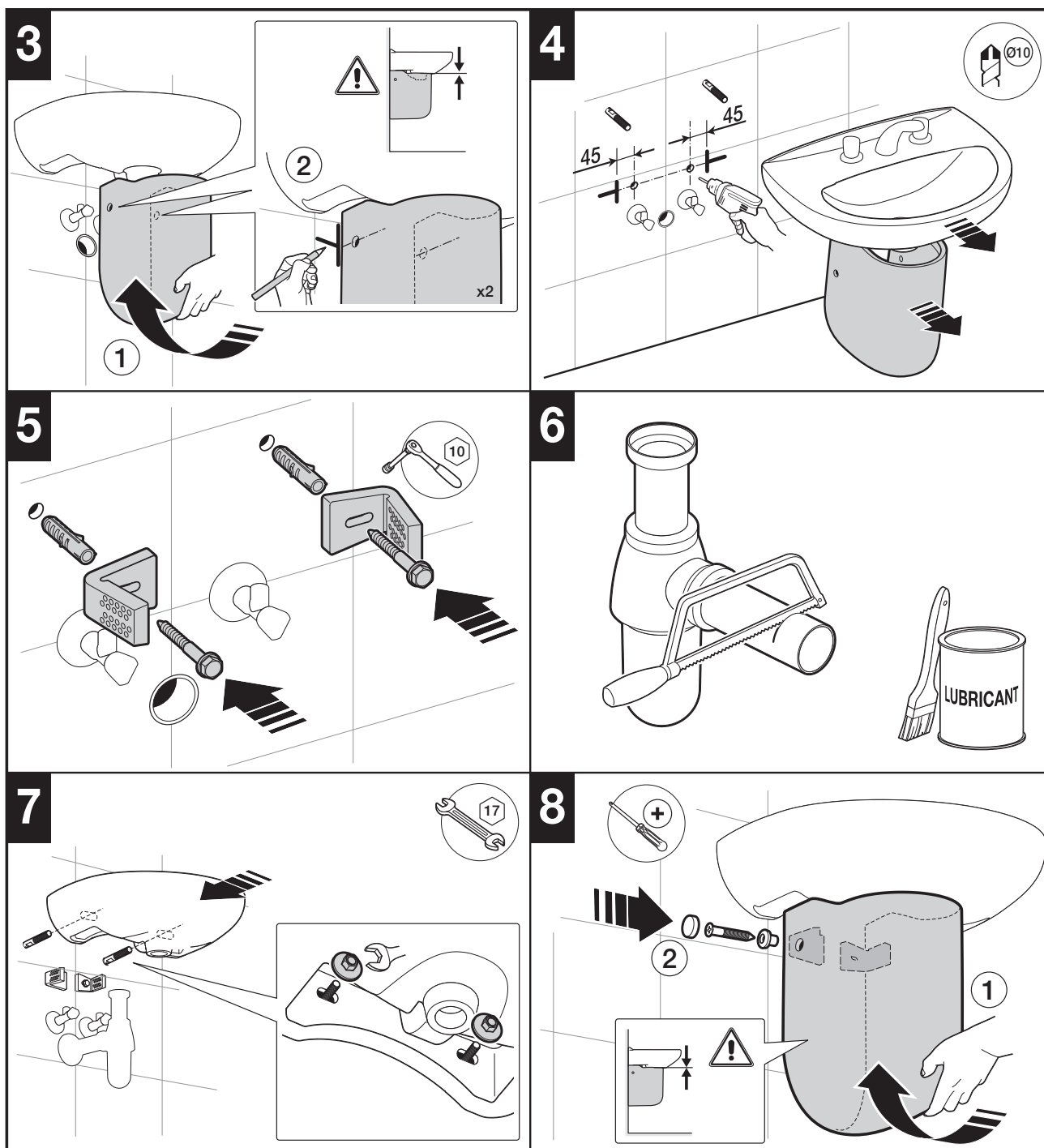


Plumbers, please ensure a copy of the installation instructions is left with the end user for future reference

ROCA

VICTORIA SEMI PEDESTAL

INSTALLATION



Plumbers, please ensure a copy of the installation instructions is left with the end user for future reference