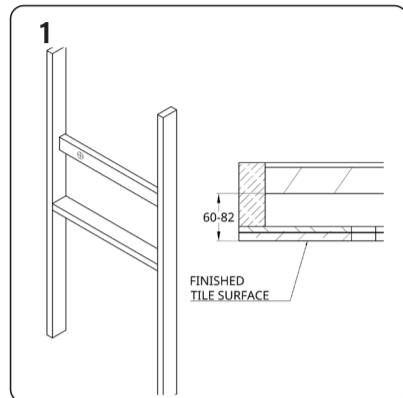




## VARA Shower Mixer

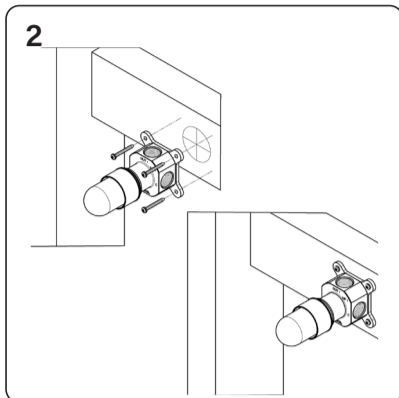
**Rough-in**

Note: This VARA rough-in kit has been specifically designed for installing in timber frame walls. The Rough in kit does not contain any decorative components as these are all in the fit off kit.



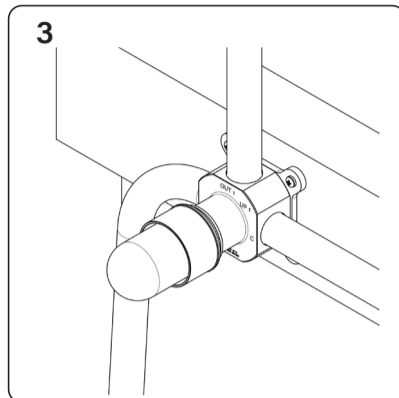
Determine mixer position &amp; install Noggin

Determine the optimum position of the rough-in body, considering user ergonomics and relative position of the outlet fitting(s). Install a solid timber noggin between the wall studs behind the mixer location. Position the noggin face 60–82 mm from the finished tile surface (check tile thickness and allow for plasterboard and tile adhesive). Ensure the noggin is firmly secured to adjoining studs and its face is parallel with the finished wall surface.



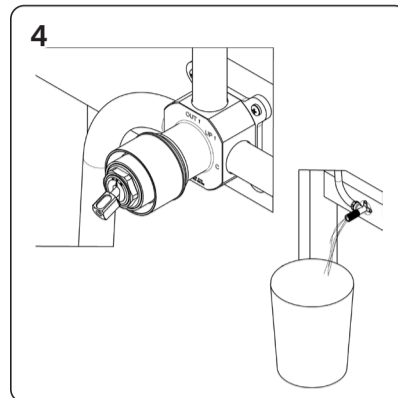
Mount the Rough-In body

Secure the rough-in body to the noggin using appropriate timber screws - Ensure the valve is square, level, and correctly oriented (note 'UP' marking). Ensure the Rough-In body is perpendicular to the finished wall surface - use packers if needed.



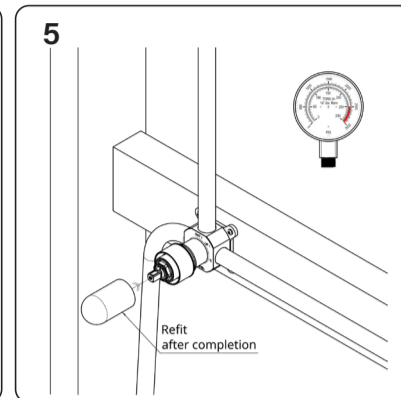
Connect Pipework

Connect the Hot supply to the left side of the body, the Cold supply to the right side of the body, and the Outlet pipe to the top of the fitting. Ensure the 1/2" connection fittings are suitable for the bodies, and that they do not restrict the waterways inside the body.



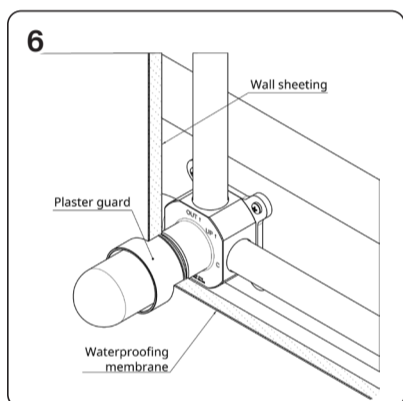
Flush systems &amp; check the flow

Ensure the outlet connection end is open. Remove the rubber protector cap, then open the valve cartridge by pushing the stem downwards. Switch on the water supply and allow water to flow so as to purge the system and remove debris. Rotate the valve stem from left to right, and check water from both inlets flows unimpeded. Close the valve cartridge.



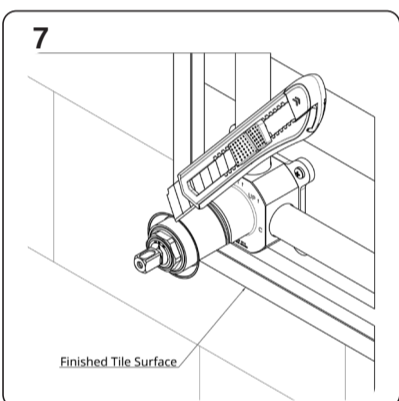
Pressure test the system

Close the valve cartridge and pressure test the system for leaks from both the inlet connection side and the outlet side. Do not exceed 1000kpa testing pressure as this may damage the ceramic disc cartridge and will void the product warranty. On completion, replace the rubber protector cap.



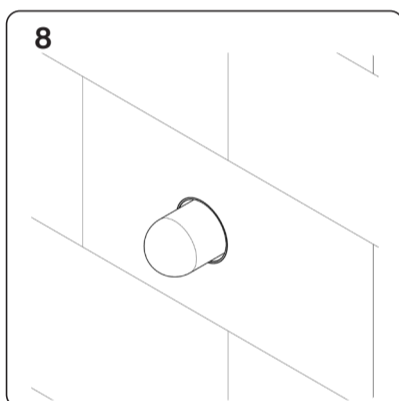
Install wall sheeting &amp; waterproofing

Install wall sheeting, cutting neatly around the Tile-in flange. It is important that the Tile-in flange is not damaged or deformed, as it guards against water ingress and ensures a proper access for servicing. Apply waterproofing membrane up to the outside of the Tile-in flange, in accordance with applicable plumbing standards.



Tile and prepare for fit-off

Tile and grout the wall surface. Note the size of the flange is 55mm - make sure that tiling is cut close so that the flange will conceal the tile hole. Temporarily remove the rubber protector cap. Use a box cutter or sharp chisel to carefully cut away what is protruding of the Tile-in flange, then replace the protective cap until fit off stage. Seal off the gap between the cut tile surface and the Tile-in flange with silicone.



Check state of installation

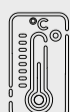
Reinstall the cap, and check to see the installation looks as shown.



Must be fitted in accordance with AS/NZS 3500 by qualified plumber



Mains 500kpa regulator must be fitted



Maximum hot water temp. 65°C



Water lines must be flushed prior to connection



Only clean municipal water supply. No bore, dam or hard water without filtration & treatment

**Cleaning**

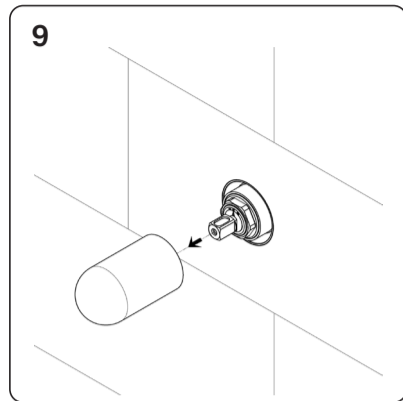
Clean only with a soft microfiber or similar cloth and warm clean water. Ensure that the cloth is clean and free of any grit or chemical. Dry fitting off with a soft clean cloth. Ensure that your fitting is not subject to any chemicals, building grit or any type of abrasive or polish. For care of special finishes please visit our website.



## VARA Shower Mixer

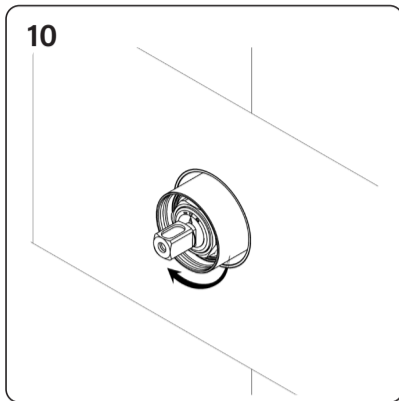
### Fit-Off Kit

Note: Fit off is done after tiling and grouting are complete.



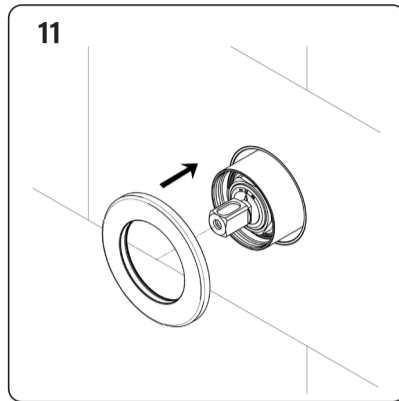
Prepare for fit-off

Ensure that the area around the tap is clean and free from grout lumps, tile glue or sealant. Also check that the black plastic shroud has been trimmed flush with the wall surface and waterproofing is completed, refer steps 6) and 7). Remove the rubber protector cover from the tap and ensure that there is no tile glue or deposit on the brass cylinder or thread. Clean if needed.



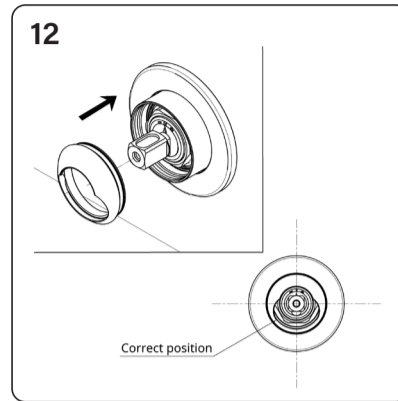
Install decorative sleeve

Unwrap the decorative sleeve and thread it onto the brass shroud, tighten firmly by hand.



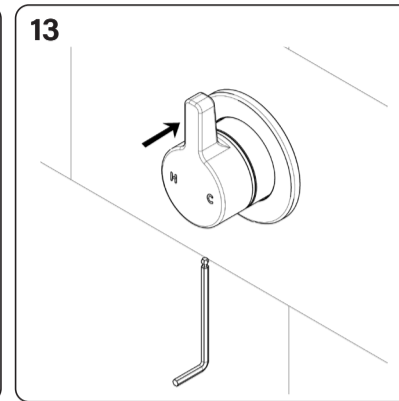
Install wall flange

Unwrap the cover flange, moisten the inside o-ring and push this flange over the sleeve up against the tiles being careful to keep it straight so it does not scratch the sleeve.



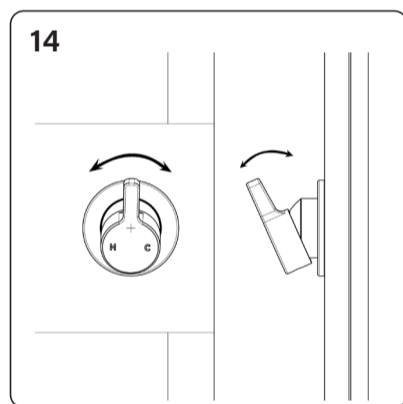
Install dome cover

Unwrap the dome cover, moisten the O-ring and ease it into place, ensuring that the lip comes fully against the cylinder cover. Position it so that the opening is aligned as shown.



Install the handle

Install the mixer handle, ensuring the grub screw hole is on the underside. The handle should engage with the square on the valve stem. Ensure the handle is pushed firmly in place, then firmly tighten the grub screw using the 2.5mm Allen key provided.



Test operation

Rotate the handle from side to side and left to right, ensuring smooth operation and proper water flow. If there are any issues please contact Faucet Strommen before leaving the site.