

KADO

KADO LUX UNDER COUNTER 425 BASIN

SPECIFICATIONS

Recommended Use	Residential;Commercial
Material	Vitreous China
Colour	White
Weight	18 kg
Capacity	7.5 Litres
Taphole Availability	No taphole Tapware to be wall or bench mounted
Integrated Overflow	Yes
Plug and Waste	32 x 40mm overflow waste (not supplied)
Fixing	To underside of countertop with fixing clips (supplied)
Additional Information	Template supplied with product

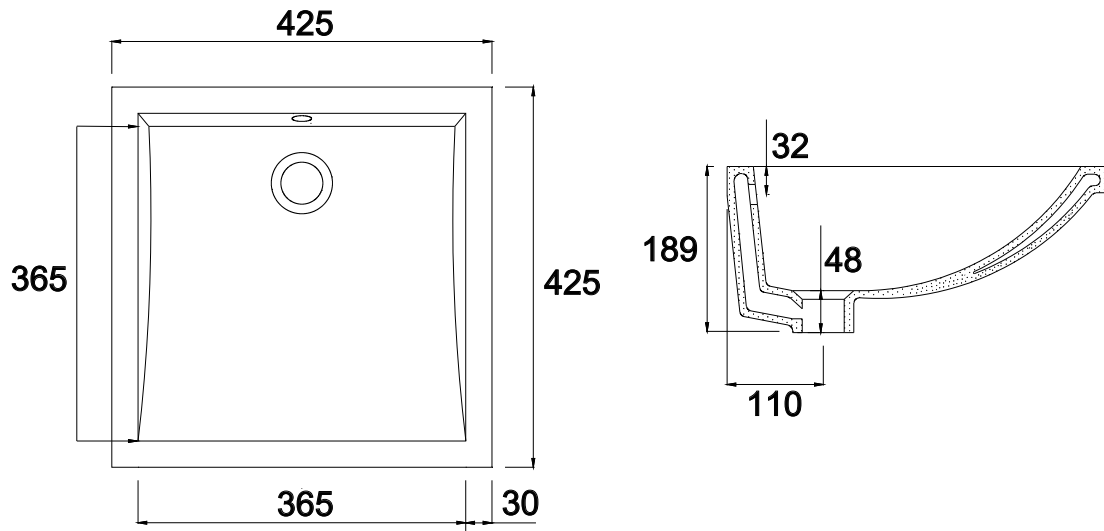
WARRANTY

Residential & Commercial Use (Years)	25
Spare Parts & Labour (Years)	1

Please refer to Kado Warranty Page for full Terms and Conditions



9500794



CLEANING RECOMMENDATIONS:

We recommend the use of soapy water or approved cleaners.
 This product should not be cleaned with abrasive materials.
 Damage caused by any improper treatment is not covered by the product warranty.
 Refer to Warranty Conditions.

Dimensions are nominal measurements only.

Disclaimer: Products in this specification manual must by regulation be installed by licensed and registered trade people. The manufacturer/distributor reserves the right to vary specifications or delete models from their range without prior notification. Dimensions are nominal measurements only. Dimensions and set-outs listed are correct at time of publication however the manufacturer/distributor takes no responsibility for printing errors.