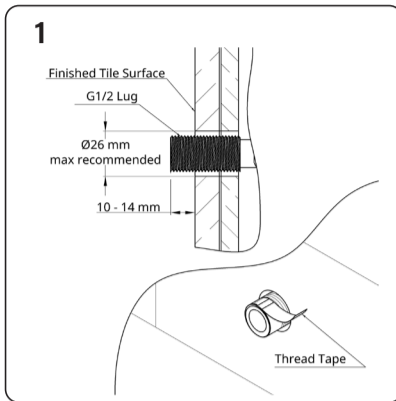


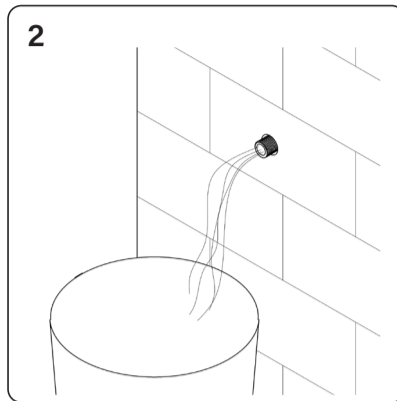


## VARA Wall Bath Outlet



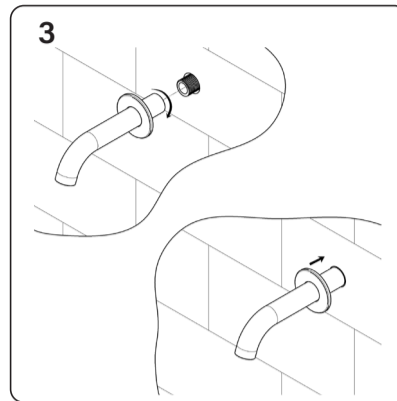
1 Prepare threaded lug

Ensure that the 1/2" threaded lug is protruding from the finished wall or hob surface between 10 and 14mm, cut to length if necessary. Remove any debris or tile glue from the thread, and apply sufficient thread tape.



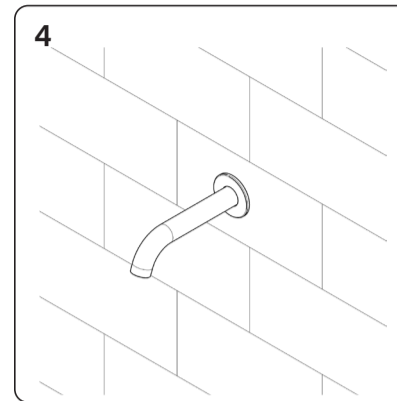
2 Flush systems & check the flow

Switch on the water supply and allow water to flow so as to purge the system and remove debris.



3 Install Flange & Spout

Place the flange/ dress ring onto the back of the spout and screw onto the water supply lug until it aligns with the finished tile surface. Unscrew slightly if required to align the spout correctly. Slide the flange back against the tiles, twisting it slightly while doing so.

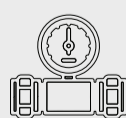


4 Test operation

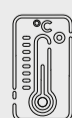
Switch on the water to the outlet and check water is flowing as expected. If there are any issues please contact Faucet Strommen before leaving the site.



Must be fitted in accordance with AS/NZS 3500 by qualified plumber



Mains 500kpa regulator must be fitted



Maximum hot water temp. 65°C



Water lines must be flushed prior to connection



Only clean municipal water supply. No bore, dam or hard water without filtration & treatment

### Cleaning

Clean only with a soft microfiber or similar cloth and warm clean water. Ensure that the cloth is clean and free of any grit or chemical. Dry fitting off with a soft clean cloth. Ensure that your fitting is not subject to any chemicals, building grit or any type of abrasive or polish. For care of special finishes please visit our website.

### Maintenance - Aerators

Aerators may need to be flushed from time to time if flow diminishes or stream pattern deteriorates. Use the aerator key provided to unscrew the aerator. You will notice a "castle" pattern around the edge of the aerator; the key engages with this allowing you to unscrew the insert easily. Rinse off the upper face of the insert with running water and gently brush clean with an old toothbrush to remove any debris before refitting the aerator.