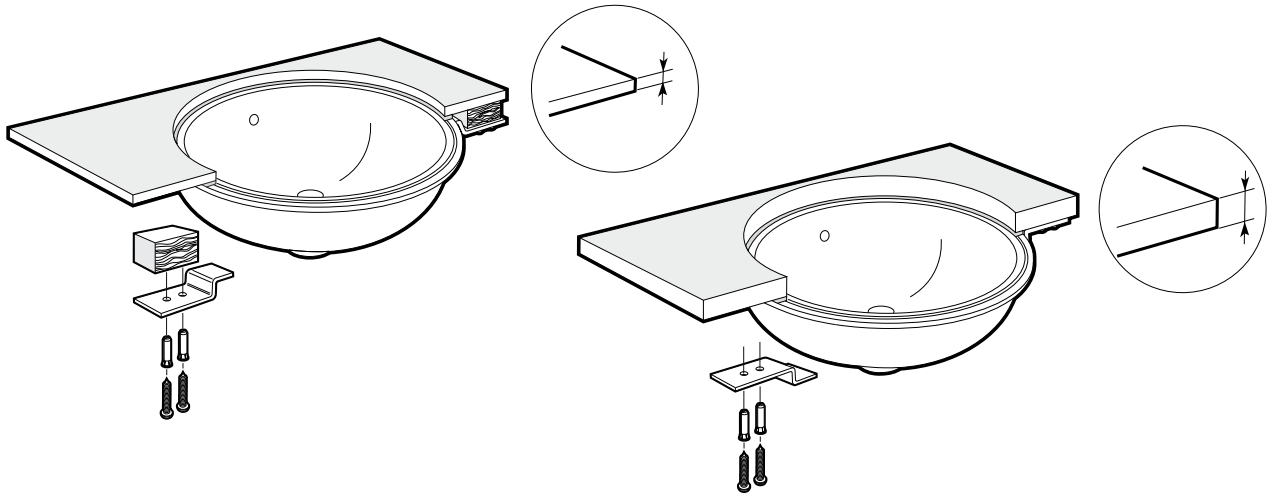


# DIVERTA UNDERCOUNTER BASIN

## INSTALLATION INSTRUCTIONS



NOTE: The shape of the basin is purely indicative.

