

# Memo Sia Sensor Gooseneck Sink Mixer Tap Dual Function Left Hand Lever Brushed Chrome (4 Star)

### SPECIFICATIONS

Recommended Use	Residential;Commercial
Colour	Brushed Chrome
Recommended Pressure Range	100-500 kPa
Max Continuous Working Pressure	500 kPa
Max Continuous Working Temperature	60 Deg
Suitable for Storage Tank Hot Water	Yes
Suitable for Continuous Flow Hot Water	Yes
Suitable for Gravity Feed Hot Water	No

Hot and Cold water inlet pressure should be equal

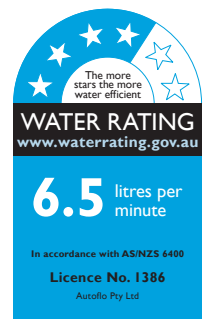
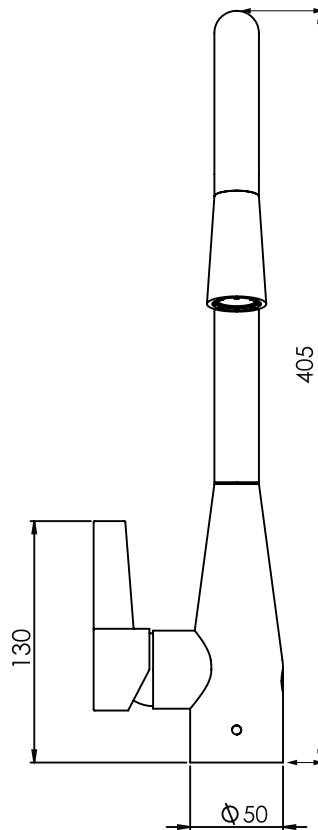
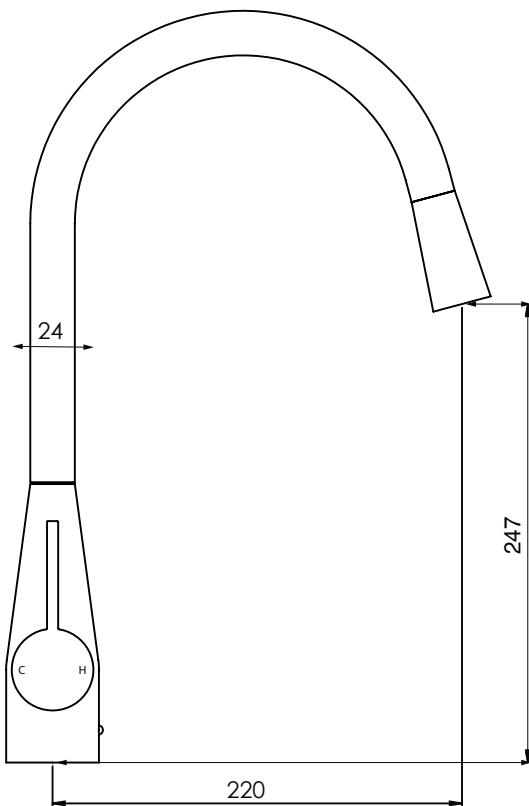
### WARRANTY

Residential & Commercial Use (Years)	5
--------------------------------------	---

Please refer to Memo Warranty Page for full Terms and Conditions



To see the complete Memo range go to [www.reece.com.au/bathrooms](http://www.reece.com.au/bathrooms)



Dimensions are nominal measurements only.

Disclaimer: Products in this specification manual must by regulation be installed by licensed and registered trade people. The manufacturer/distributor reserves the right to vary specifications or delete models from their range without prior notification. Dimensions are nominal measurements only. Dimensions and set-outs listed are correct at time of publication however the manufacturer/distributor takes no responsibility for printing errors.