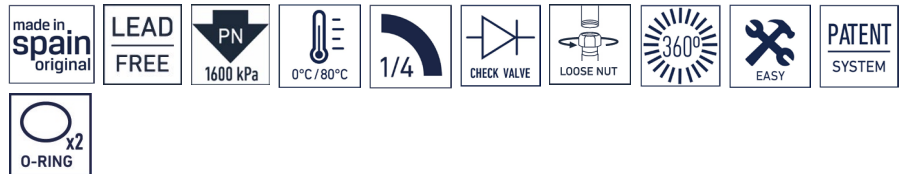




## TWIN GIRO STOP VALVE LEAD FREE

DUAL ISOLATION VITAQ VALVE, are two quarter turn angle stop valves in one, installed upstream of a terminal fitting to shut off water supply in a quick and safe way isolating individually the device to service or replace.

- **TWIN system**, patented two independent services in one valve.
- **GIRO system**, patented loose nut system connection, for easy installation.
- Reinforced VITAQ barb cone washer.
- One single handle for full control of 4 different positions (on/off).
- Non-return valves at each outlet.
- Each position fits with a “click”.
- Operation works in both senses (clockwise & counterclockwise).
- **VITAQ system**: more life less lime scale at higher temperatures:
  - Increase your installation life span.
  - Smoother open/close operation.
  - Eliminating lime scale from building up over time.
- Handle with red / blue index: Ergonomic and compact and chrome plated for more endurance. The index shows where the waterflow is operating.
- One piece stamped body, compact and resistant.
- Double O-ring on ball-stem to secure external leak tightness.



## TECHNICAL DATA SHEET TWIN GIRO STOP VALVE

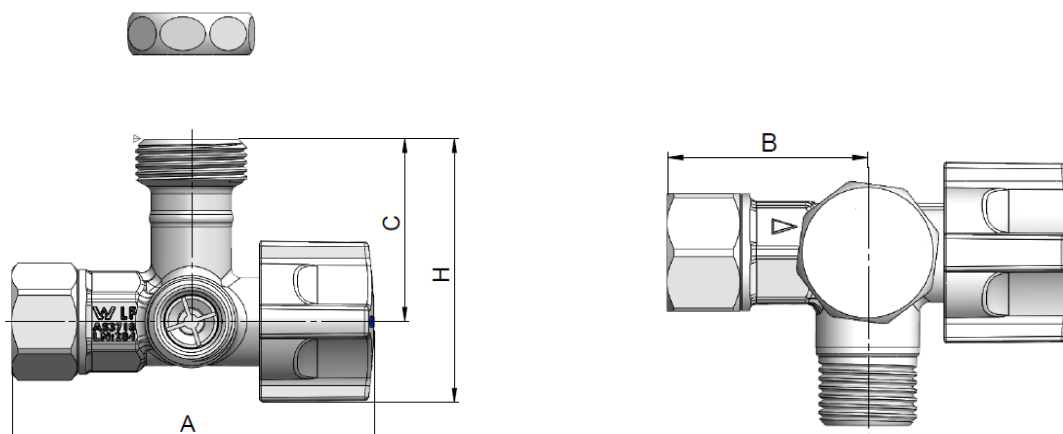
### PRODUCT SCOPE

Two quarter turn valve in one installed upstream of a terminal fitting to shut off water supply in a quick and safe way isolating the devices to service or repair. Intended for use in residential and commercial potable water distribution networks. It includes GIRO system for an easy and quick installation as well as VITAQ system for preventing lime scale problems.

### GENERAL DIMENSIONS, PRESSURE & TEMPERATURE

Code	Size	A (mm)	B (mm)	C (mm)	H (mm)	PN (KPa)	Temp. range (°C) (*)
AS512	1/2F X 1/2M X 1/2M	86	43	41	61	1.600	0 up to 80
AS510	1/2F X 1/2M X 3/4M	86	43	43	63	1.600	0 up to 80

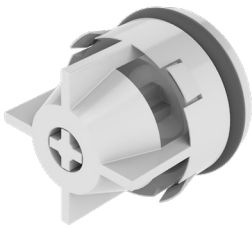
(\*) For continuous hot water use up to 80°C (excluding freezing).





**GIRO SYSTEM**

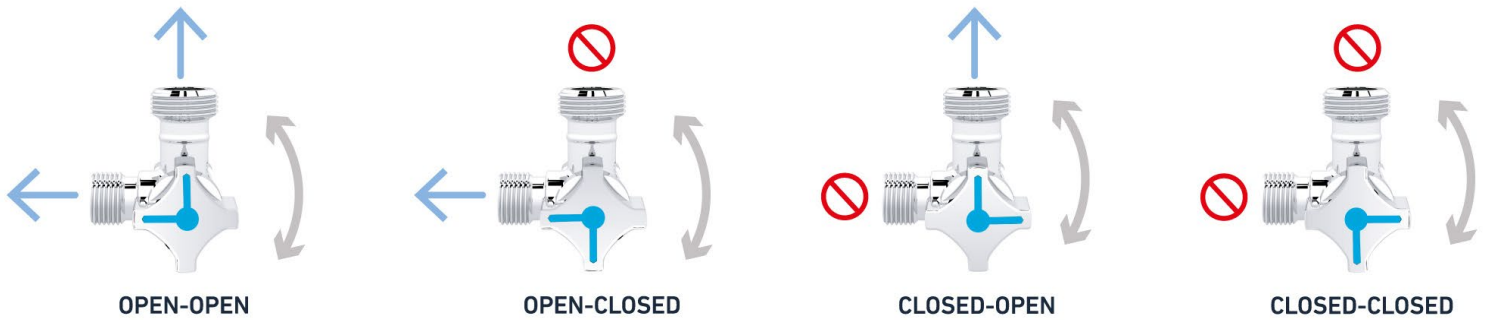
GIRO system is patented loose nut system connection, for easy installation. Its compact design enables quicker and easier installation in tight spaces. Giro also features a cone washer paired with a reinforced barb ensuring a strong seal, every time. It's resistant to hard water thanks to VITAQ technology, eliminating limescale from building up over time.



**NON-RETURN VALVE**

TWIN GIRO incorporates two non-return valves, one on each outlet, which prevent backflow from connected devices into the supply network. This system ensures effective protection against cross-contamination, guaranteeing a safer and more reliable water supply.

**DUAL OUTLET STOP VALVE. FOUR INDEPENDENT POSITIONS IN A SINGLE CONTROL**

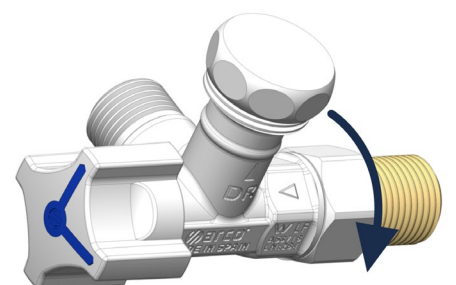
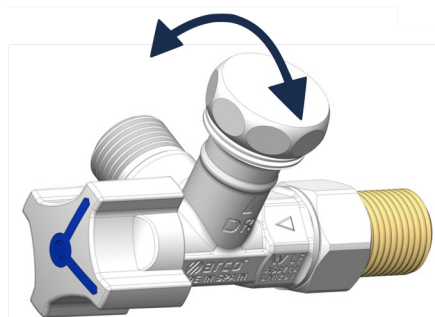
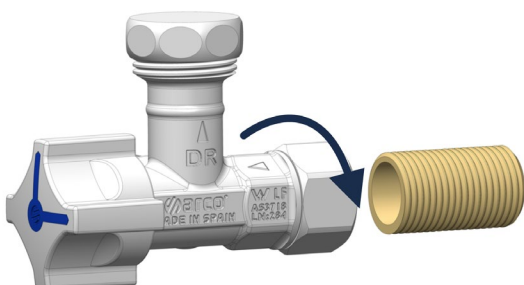


**GIRO SYSTEM**

**1 THREAD**

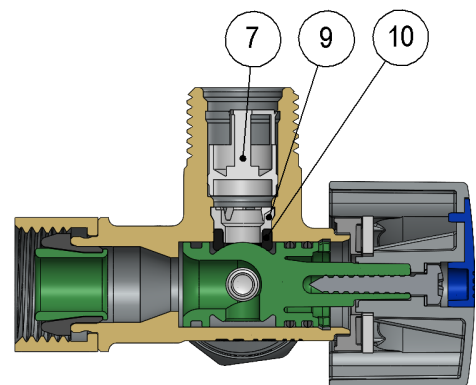
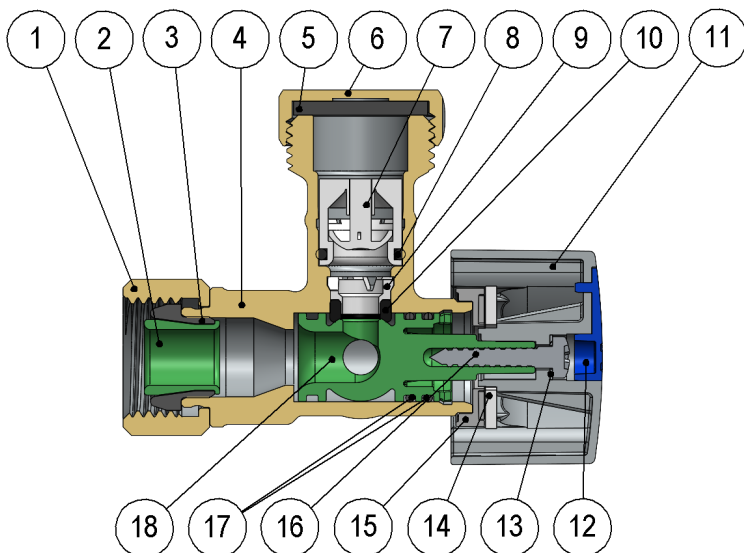
**2 ADJUST**

**3 TIGHTEN**




**MATERIALS**

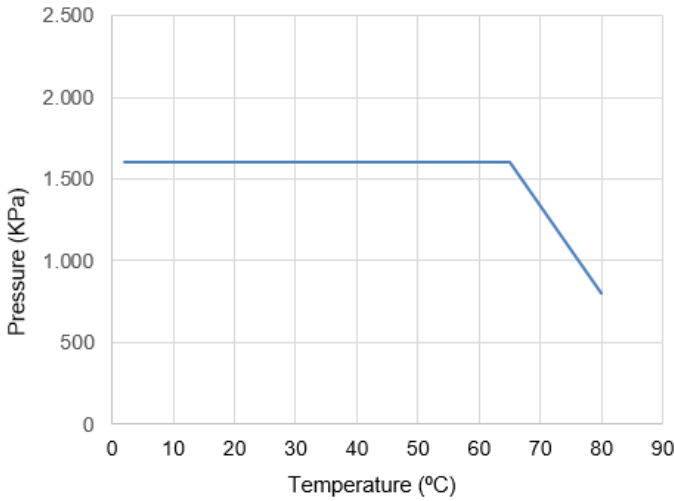
Item	Component	Material	Finishing
1	Nut	CW614N Brass	Chrome plated
2	Barb	Anti-lime Polymer	VITAQ
3	Joint	EPDM	-
4	Body	CW511L Brass	Chrome plated
5	Joint	NBR	-
6	Cap	CW614N Brass	Chrome plated
7	Non-return valve	POM & Inox	-
8	O-ring	EPDM	-
9	Supporting clip	POM	-
10	Seat	NBR	-
11	Handle	ABS + PC	Chrome plated
12	Index	ABS	Blue / Red
13	Washer	Stainless steel	-
14	R – washer	POM	-
15	F – washer	POM	-
16	Screw	Stainless steel	-
17	O-rings	EPDM	-
18	Ball-stem	Anti-lime Polymer	VITAQ



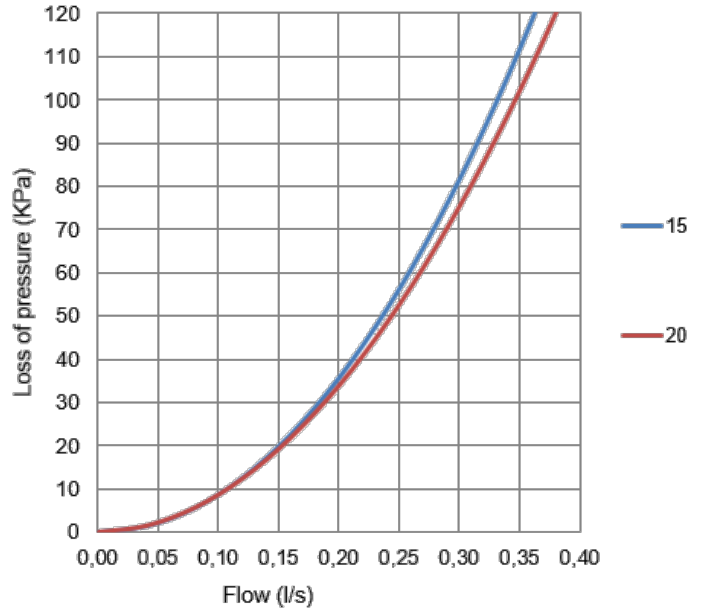


**TECHNICAL DATA**

**Pressure vs. temperature**



**Hydraulic features.  
Flow vs. loss of pressure.**



**Compatibility with fluids**

Fluid	Compatibility
Drinking water	Excellent

For any other fluid, please contact Arco technical service.

Size	15	20
AS512	1,19	--
AS510	1,19	1,25

Kv (m3/h), cubic meters per hour that flow through the valve generating a loss of pressure of 1 bar.

**INSTALATION INSTRUCTIONS**

This product is designed to be used in drinking water supply, in compliance with the Lead-Free requirements of the National Construction Code Volume 3. For installation refer to AS/NZS 3500.

Nominal Pressure 1.600 Kpa. Temperature range 0 to 80°C excluding freezing.

1. Switch off flow of water to the installation area.
2. Do not apply sealing material tape to the thread of the inflow pipe. This valve is fitted with an internal cone sealing washer.
3. Thread the valve onto the inflow pipe. Do not apply excessive torque, it can damage the washer.
4. Connect hose to fixture and to the outflow connection of the valve, ensure that connections are watertight.
5. Check operation of valve by turning handle a full quarter turn to ensure connections are watertight.

These valves are intended to work in full open or full close position; intermediate positions may damage them.



All products have an environmental impact during its life cycle, even once retired. All the components of this product can be recycled. Once the use is over, leave the valve in any recycling green point. Válvulas Arco reserves the right to change the product or any of its technical specifications without prior notice.

FT01520ING – Edition 2025-10