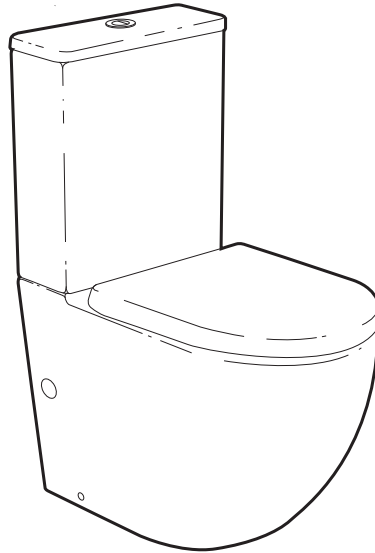




## Domaine Round Close Coupled Back To Wall Rimless Back & Bottom Inlet Toilet Suite (4\*)



### Prior To Installation

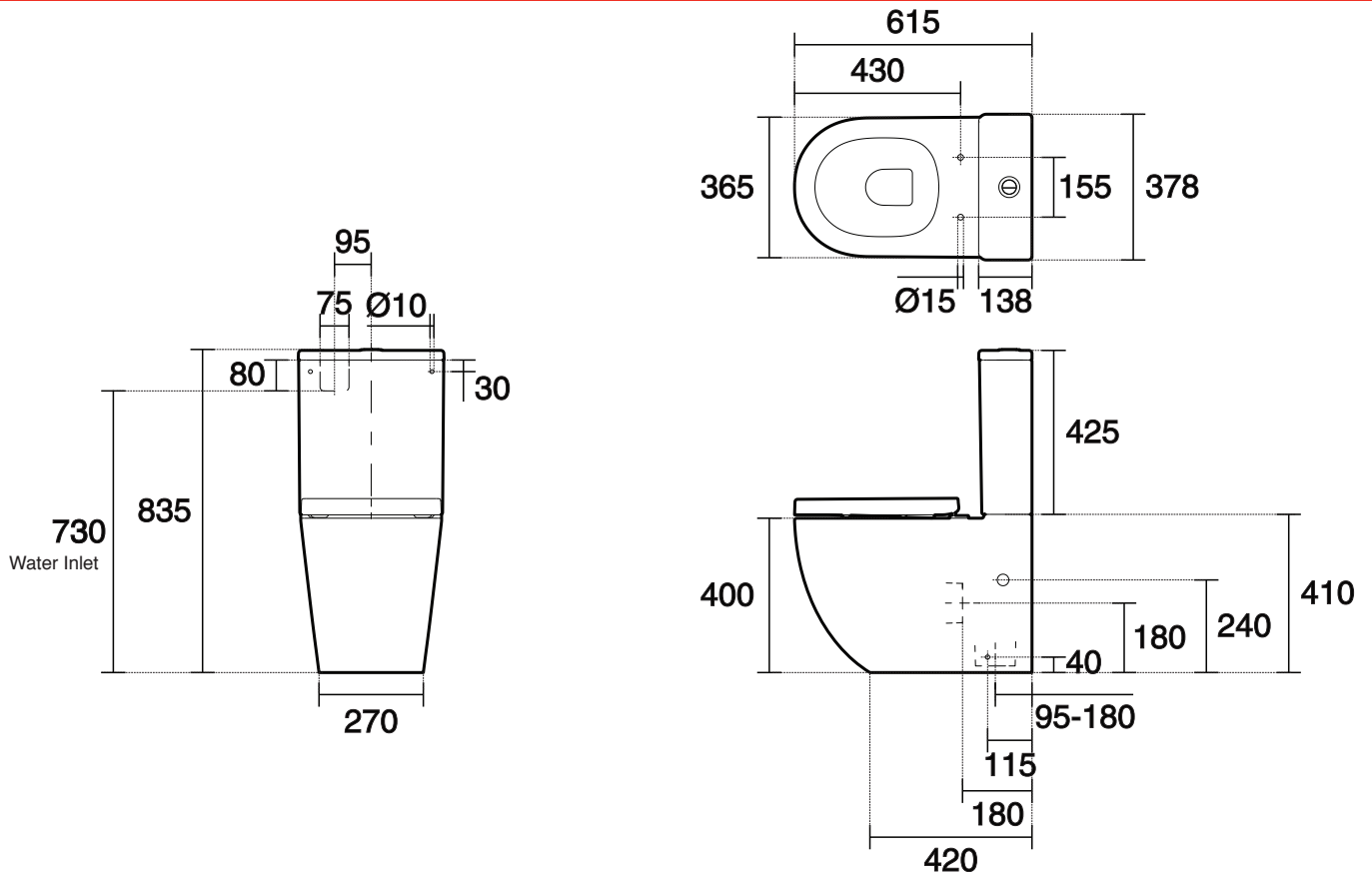


The installation of this Toilet Suite shall be in line with the normal minimum requirements in AS/NZS 3500.2



Flush the water supply line.

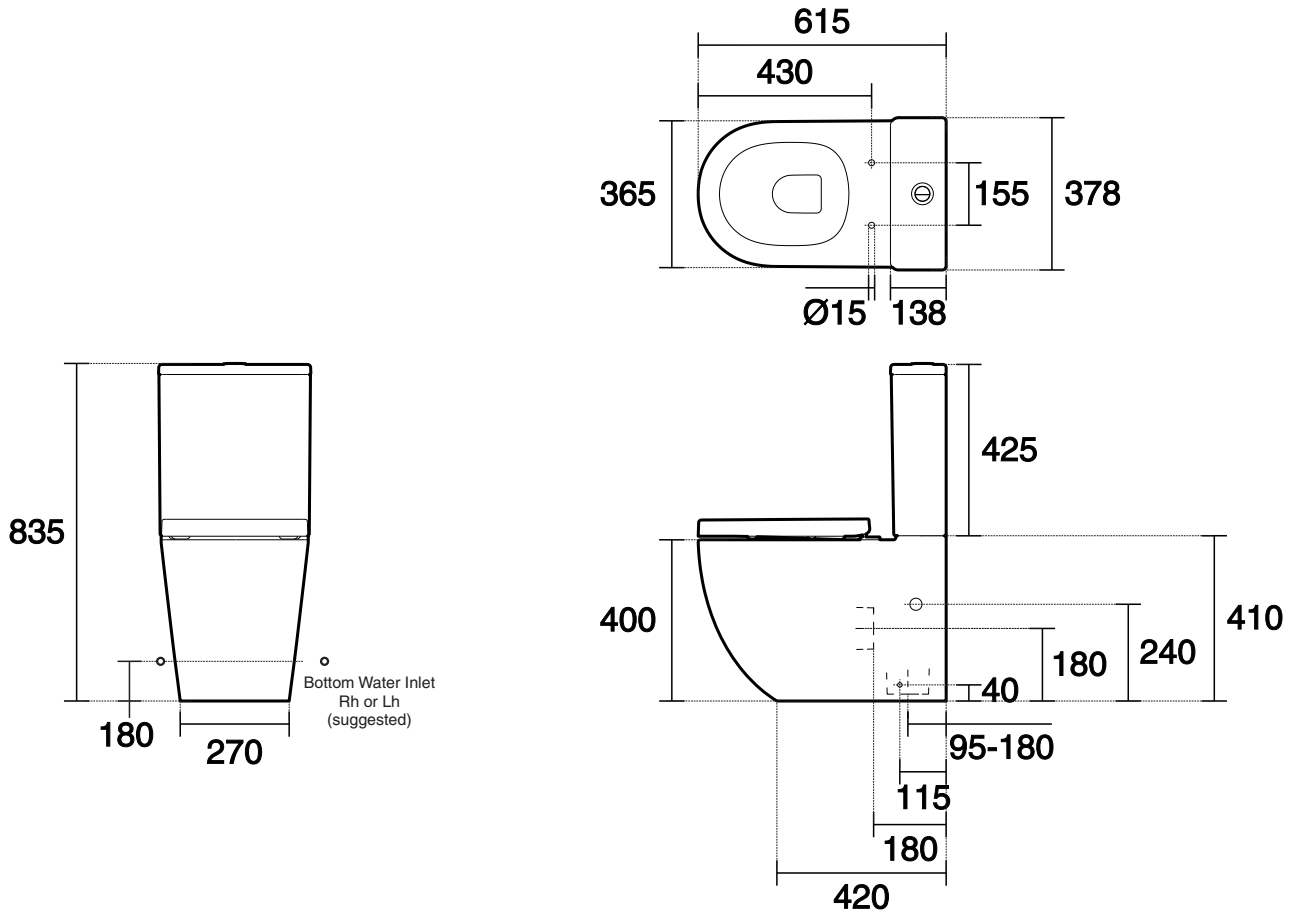
### Drawing: Back Inlet





## Domaine Round Close Coupled Back To Wall Rimless Back & Bottom Inlet Toilet Suite (4\*)

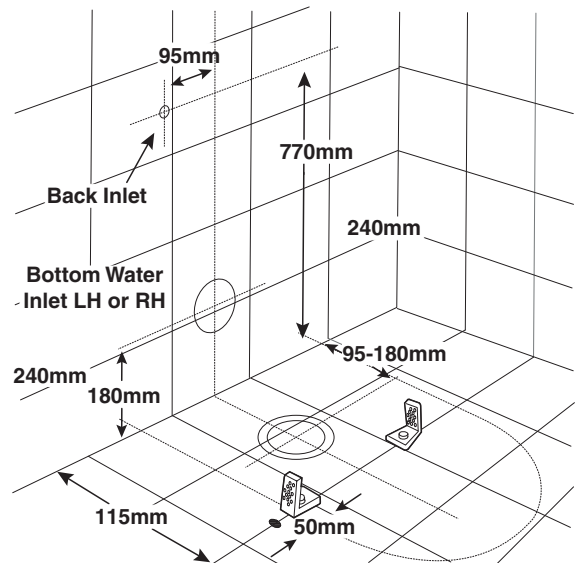
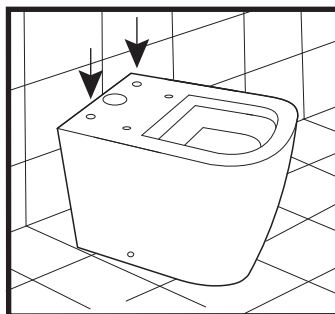
### Drawing: Bottom Inlet



### Installation

**Note: Fittings are packed inside cistern.**

1. Rough in positions of water inlet, waste outlet and fixing bracket holes. Ensure inlet connection extends 40mm from finished wall. Prepare waste outlet according to required setout (95mm min - 180mm max) and drill floor fixing brackets into position (50mm inside traced mark of pan base).
2. Insert top-fix plastic fixing nut and bolt into pan (supplied).



## Domaine Round Close Coupled Back To Wall Rimless Back & Bottom Inlet Toilet Suite (4\*)

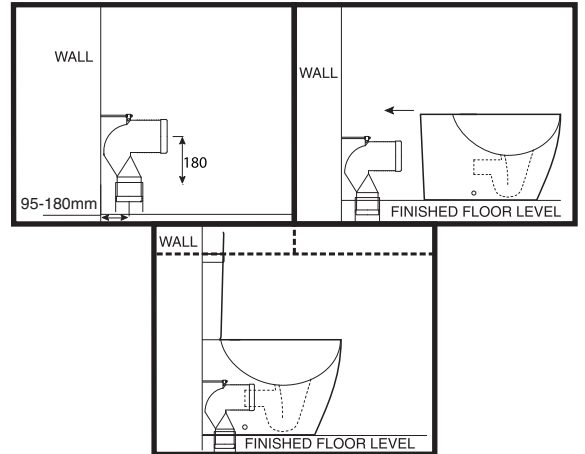
### Installation

#### S-Trap Installation

1. Lubricate the rubber fins of the pan bend and position in the waste pipe at the required height. Fix the pan-connector back to the wall using the rod and bracket.

**Note: Ensure it is level.**

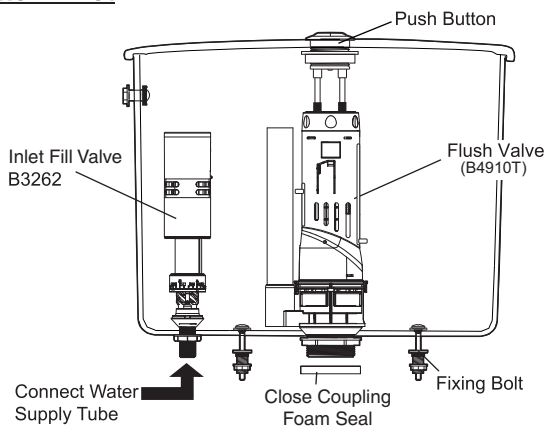
2. Align and push pan back to wall, connect pan spigot into waste bend ensuring firm connection.
3. Fix cistern onto pan, bucket flush and check for leaks.



#### Cistern Fitting

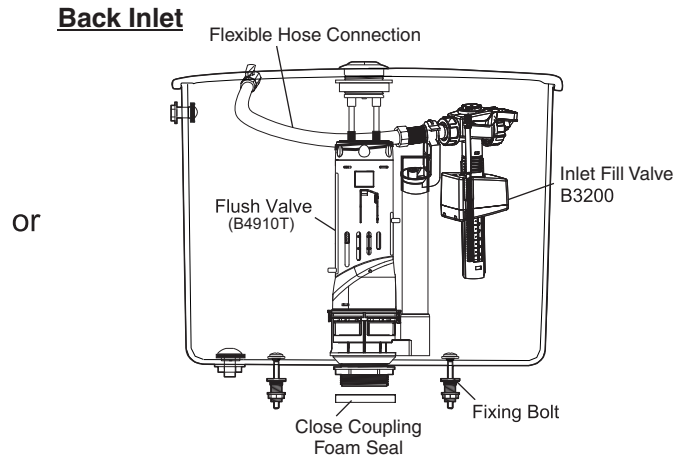
**Note: Cistern Fitting are pre-set from factory. If any adjustments required to settings or for maintenance refer following.**

##### Bottom Inlet



**Note: Flexible Hose for water connection not supplied with bottom inlet variant.**

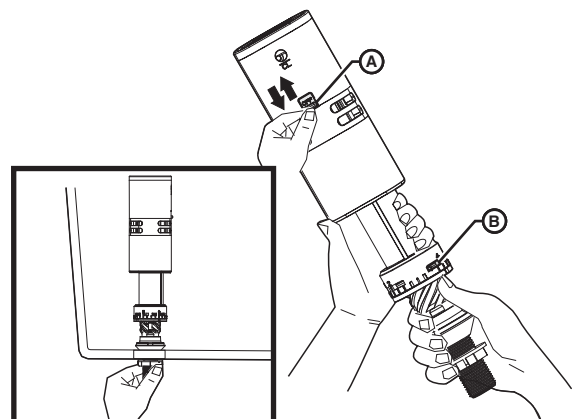
##### Back Inlet



**Note: Stop Valve and Flexible Hose with Elbow supplied with Back Inlet variant.**

**Note: Inlet is reversible.**

1. Flick up the adjustable Tab (A) and adjust the height of fill valve by pulling the lower Tube (B). Then, pushing down to lock down the adjustable lever (A). The adjustable lever is locked when hearing an audible click.
2. Unscrewing nut and installing fill valve into water inlet of the cistern, adjusting the desired position and screwing nut. (Torque 3N.m). Check to ensure watertight.



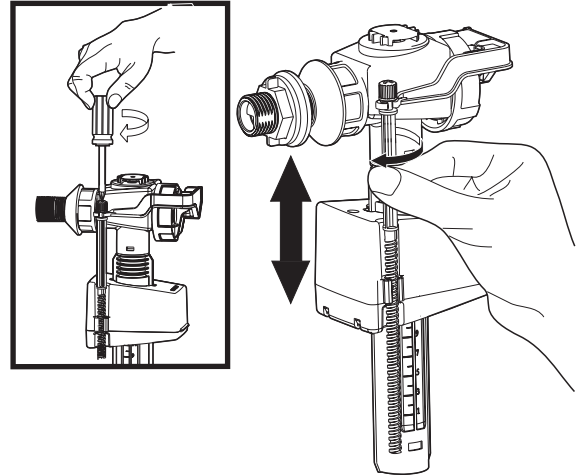


## Domaine Round Close Coupled Back To Wall Rimless Back & Bottom Inlet Toilet Suite (4\*)

### Tank Fitting

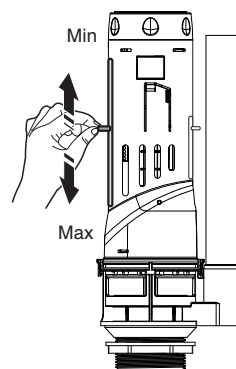
- Rotating the adjustment rod can make the float move up and down to adjust the water level height.
- Clean the water supply tube. Then connect it to the fill valve and turn on the switch to supply water. Use a screwdriver to adjust the water level.

**Note: Turning clockwise increases float level.**

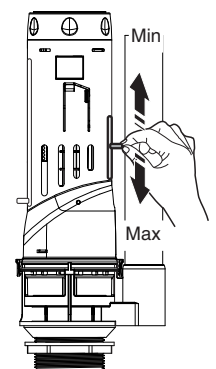


- Screw down the nut, then put the flush valve into the tank hole, be sure the gasket presses tight to the cistern, then screw the nut back to valve.
- Adjustment of whole flush level: when the whole flush float is higher, the whole flush water is less.
- Adjustment of partial flush level: when the partial flush float is higher, the partial flush water is less.

#### Half Flush



#### Full Flush

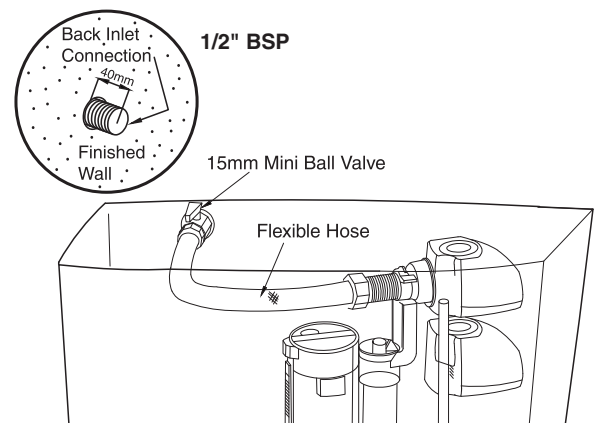


### Tank Fitting

#### Water Inlet & Levelling Pan

- Connect rear water inlet valve using 15mm mini cistern stop supplied. Fill the cistern and ensure correct water level. For adjustment refer separate inlet valve instructions.
- Ensure back inlet connection extends 40mm from finished wall.

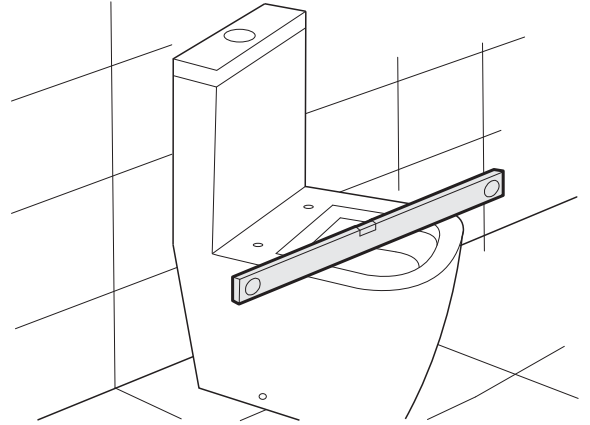
**Note: Ensure flexible water hose connector is clear and does not interfere with any of the internal components.**



## Domaine Round Close Coupled Back To Wall Rimless Back & Bottom Inlet Toilet Suite (4\*)

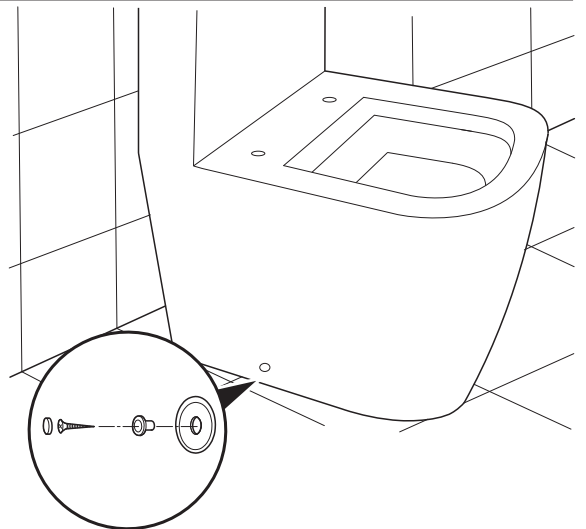
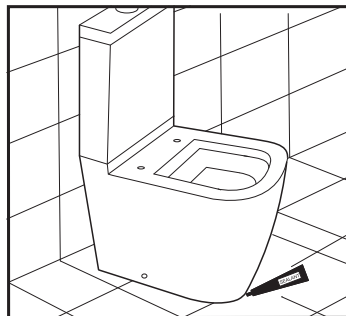
### Fitting & Positioning

1. Ensure that pan is level and that cisterns align with wall. Make minor adjustments if necessary.



2. Fix pan to floor using screws into L-shaped brackets and caps provided.

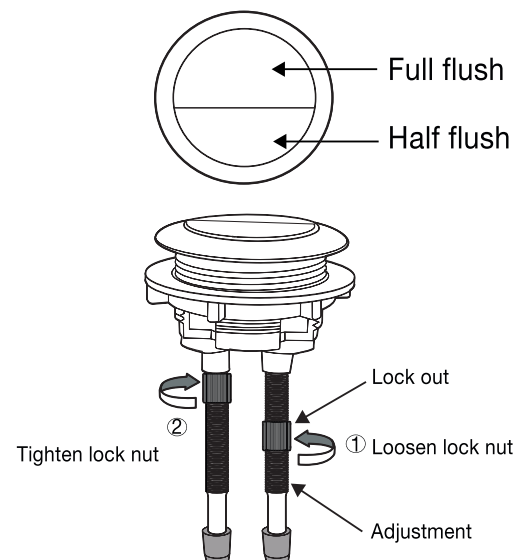
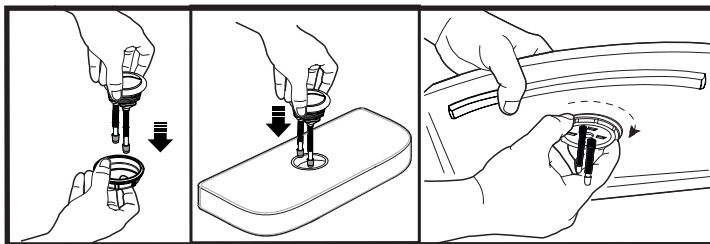
3. Silicone pan to floor. Remove excess sealant.



### Fitting & Positioning

#### Push button assembly & adjustment.

1. Ensure button rods are aligned with full & half flush on outlet valve.

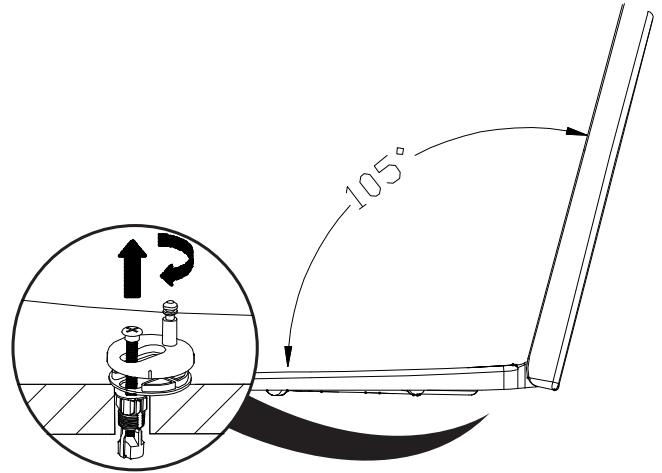


# posh

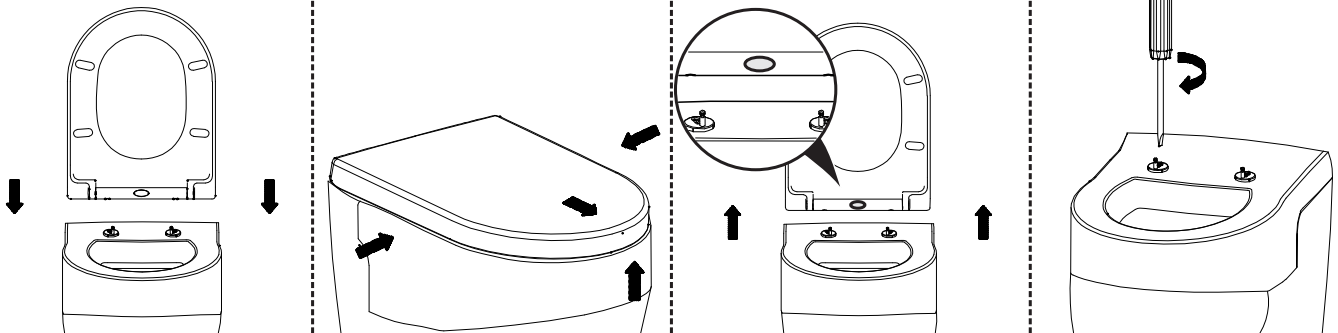
## Domaine Round Close Coupled Back To Wall Rimless Back & Bottom Inlet Toilet Suite (4\*)

### Seat Installation

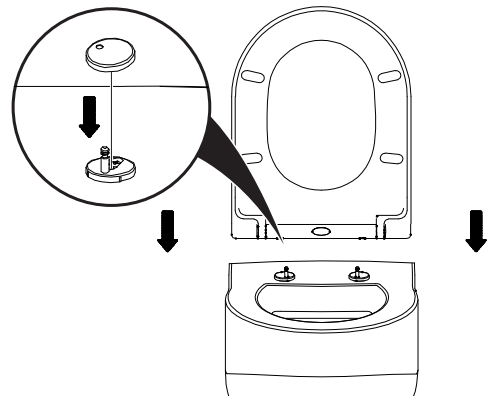
1. Do not open the seat and lid over 105° before fixing.
2. Insert hinge set into hole.



3. Fix toilet seat, align onto hinge pins.
4. Adjust to fit ceramic well.
5. Push button & take off seat.
6. Tighten screw firmly.



7. Place cover on top of hinge.
8. Push down seat onto hinge pins till seat clicks into position.



### Care Details

We recommend the use of soapy water or approved cleaners. This product should not be cleaned with abrasive materials. Damage caused by any improper treatment is not covered by the product warranty. Refer to Warranty Conditions

**Plumbers, please ensure a copy of the installation instruction is left with the end user for future reference.**

