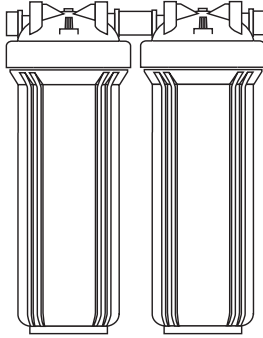
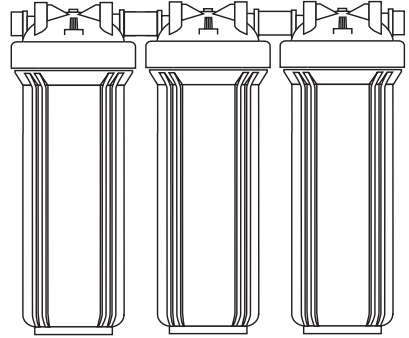


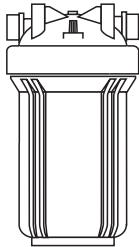
PSJ21
Single 2 High



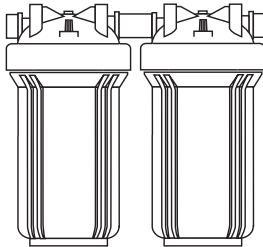
PSJ44
Twin 2 High



PSJ66
Triple 2 High



PSJ11
Single 1 High

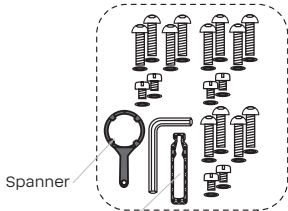


PSJ33
Twin 1 High

PSJ Filter Systems

Whole House Water Filter System User Guide

What's in the Box



Spanner

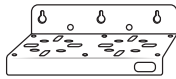
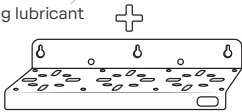
O-ring lubricant



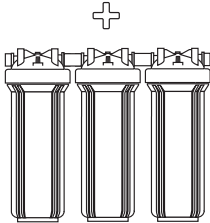
Fittings

Allen screws to connect filter head to bracket.

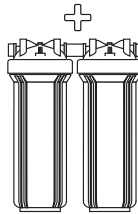
Brass screws for gauge ports.



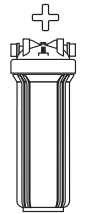
Mounting Bracket



PSJ66



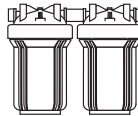
PSJ44



PSJ21

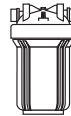
Filter Housings

OR



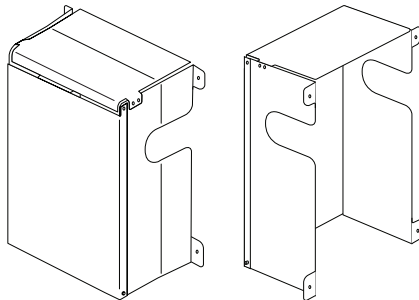
PSJ33

OR



PSJ11

Wall mount filter covers available for PSJ33, PSJ44 & PSJ66 in Grey or Sandstone colour



Guidelines & Warnings



Thank you for purchasing a BWT Whole House Water Filter System.

Your Whole House water filter system has been manufactured using premium materials and components designed to provide years of reliable service. Filter cartridges will need to be replaced at regular intervals.

Guidelines & Warnings

- » The system is designed for mains / pumped water, not gravity fed supply.
- » This product must be installed in accordance with local plumbing regulations by a licensed plumber, including fitting an approved backflow prevention device.
- » Use on cold water line only.
- » Protect the housing from freezing.
- » Where line pressure exceeds recommended max pressure 860 kPa, a pressure limiting valve must be installed. Protect the housing from water hammer.
- » Avoid installing in direct sunlight. Wall mount filter covers are available.
- » Use PTFE thread seal tape on all connections. Do not use too much tape or over tighten.
- » Do not use with water that is microbiologically unsafe or with water of unknown quality without adequate disinfection.

Water Pressure	Min 250 - 1205 kPa Max
Water Temperature	Cold water use only, Max 40°C
In/Outlet	1" BSPF
Flow Rate	1 high housing 8 lpm - 2 high housing 16 lpm

Notes

WARNING: For correct operation of this appliance it is essential to observe the manufacturers instructions.

Flush system for 2 minutes after periods of non use exceeding 3 days.

CAUTION Do not use with water that is microbiologically unsafe or of unknown quality without adequate disinfection before or after the system. Systems certified for cyst reduction may be used on disinfected water that may contain filterable cysts. The use of this system may increase the bacterial content of the water unless supplementary treatment is provided.

Make certain the installation complies with all state and local laws and regulations.

Filter cartridge change recommended every 12 months. Use only cartridges suitable for this appliance.

Contact the manufacturer or reseller for further information.

Installation

Locate a suitable area for installation of the filter system.

- » Allow 100mm clearance under the filter sumps for changing cartridges.
- » Allow for isolating valves and optional parts – see diagram
- » Protect from direct sunlight

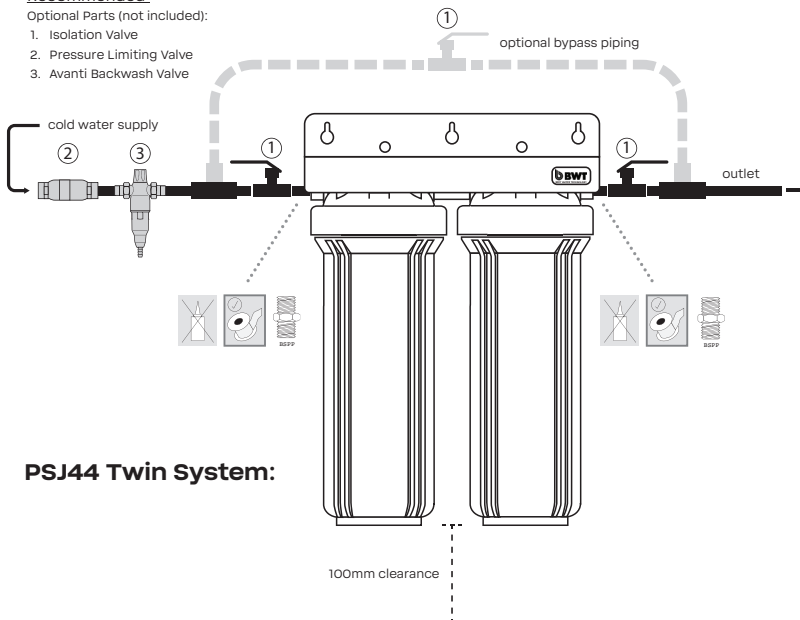
Installation Procedure:

1. Check **all** components in outer carton; Filter system, mounting bracket, Fittings kit.
Note: Filter cartridges, inlet / outlet fittings to suit the system and your pipework, PTFE tape are purchased separately.
2. Fit brass screws and plastic washers in the fittings kit to the gauge ports in the cap of the system.
3. Isolate incoming water supply and relieve pressure by opening a downstream tap.
4. Cut pipe to suit length of required valve and housing installation.
5. Undo sumps from Filter head for ease of handling. Fit Filter head to mounting bracket with allen screws / key.
6. Fix Mounting bracket c/w filter head to wall.
 - i. Allow 100mm clearance below the filter system for filter changeout
 - ii. Allow space if installing a filter cover
7. Use approved plumbing fittings to join the pipework to the inlet and the outlet of the filter housing. The 1" bsp female ports are suited to be fitted with 1" bsp male tapered fittings.
8. Fit filter cartridges into filter sumps. (Check Changing Filter Cartridges Page 5)
Lubricate filter sump o ring. Fit filter sumps onto filter head.
9. Slowly turn on water. Check for leaks. Flush water to drain to expel air and fines before use.

Recommended

Optional Parts (not included):

1. Isolation Valve
2. Pressure Limiting Valve
3. Avanti Backwash Valve



PSJ44 Twin System:

Changing Filter Cartridges



Filter cartridge replacement depends on the filter cartridge type, water quality and throughput. For information on replacement cartridges please contact your local Reece outlet or check our website - www.bwtaustralia.com.au

Replace cartridges every 12 months or when you notice a drop in performance or water flow.

Cartridge Installation / Replacement

To change the filter cartridge(s):

1. Turn off the cold water supply to the filter system. Relieve the water pressure on the system by opening the nearest downstream tap or by carefully unscrewing the vent on the top of the housing(s)
2. Unscrew the filter sump(s). Use the spanner provided with your system (note -sump will be full of water).
3. Remove old cartridge(s).
4. Clean sump(s) with water and rinse thoroughly. Check O-Ring(s) for damage and replace if necessary.
5. Remove wrapping from new filter cartridge(s) and insert into housing sumps. Ensure cartridges are correctly located over central locator in base of sumps.
6. Lubricate the filter sump oring with lubricant, Fit the filter sump(s) into the filter head assembly ensuring the cartridges are located centrally (top and bottom) to ensure a good seal. Do not over tighten the filter sumps into the filter head.
7. Slowly open the incoming water supply to the system and allow any entrapped air to release from the system via the vent valves on the top of the housings or the nearest tap on the outlet of the system.
8. Flush the filters to expel air and fines.
9. Close all taps & check for leaks.

PSJ Filter Guide



Model	BWT Code	Description	Weight	Dimensions
PSJ11	B21BNOAA	1 High System	4.5kg	10" - 254mm x 220mm
PSJ33	F21BNOAA	1 High Twin System	9kg	15" - 381mm x 220mm
PSJ21	D21BNOAA	2 High System	8kg	10" - 254mm x 420mm
PSJ44	H21BNOAA	2 High Twin System	11kg	15" - 381mm x 420mm
PSJ66	L25BNOAAA	2 High Triple System	13kg	15" - 381mm x 600mm

WaterMark Systems

Model	BWT Code	Filter Cartridge			Capacity (Litres)	Flow Rate
		Housing 1	Housing 2	Housing 3	Chlorine Reduction	
PSJ11	B21BNOB	FB5W			20,000	8 lpm
PSJ21	D21BNON	FB5W20			40,000	16 lpm
PSJ33	F21BNOCE	PS5W	FB5W		20,000	8 lpm
PSJ44	H21BNOEF	PS5W20	FB5W20		40,000	16 lpm
PSJ66	L25BNOFHF	PS20W20	PS5W20	FB5W20	40,600	16 lpm

Tested at 8 Litres per minute for FB5W filter cartridge

Filter Cartridges to suit PSJ Filter Housings

Note: For twin systems the typical configurations is Left-Right,
Housing 1 Sediment filter - Housing 2 Carbon Filter

- * **Mains pressure applications** - premium performance spun polypropylene and fibron carbon block cartridges are recommended.
- o **Low pressure/Tank application** - the range of pleated filter cartridges are recommended.

Model	Reece Code	Type	Duty	Flow	Micron	ø	Length	Suits
Sediment						mm	mm	
PS1W	1911247	Spun Polypropylene	fine	<8lpm	1	114	245	PSJ11 & 33
* PS5W	1911248	Spun Polypropylene	standard	<8lpm	5	114	245	PSJ11 & 33 Recommended
PS10W	1911249	Spun Polypropylene	standard	<8lpm	10	114	245	PSJ11 & 33
PS20W	1911250	Spun Polypropylene	medium	<8lpm	20	114	245	PSJ11 & 33
* PS5W20	1911251	Spun Polypropylene	standard	<16lpm	5	114	508	PSJ21, 44 & 66 Recommended
PS20W20	1911252	Spun Polypropylene	medium	<16lpm	20	114	508	PSJ21 & 44
PS50W20	1911253	Spun Polypropylene	coarse	<16lpm	50	114	508	PSJ21 & 44
o PLSW	1911273	Pleated Polypropylene	standard	<8lpm	5	114	245	PSJ11 & 33
o PLSW20	1911274	Pleated Polypropylene	standard	<16lpm	5	114	508	PSJ21, 44 & 66
PL10W	1911265	Pleated Polypropylene	standard	<8lpm	10	114	245	PSJ11 & 33
PL10W20	1911266	Pleated Polypropylene	standard	<16lpm	10	114	508	PSJ21, 44 & 66
PL20W	1911518	Pleated Polypropylene	medium	<16lpm	20	114	508	PSJ11 & 33
PL20W20	1911519	Pleated Polypropylene	medium	<16lpm	20	114	508	PSJ21, 44 & 66
Carbon for Chlorine, Taste & Odour								
o CP10W	1911243	Pleated Carbon	standard	<8lpm	10	114	245	PSJ11 & 33
o CP10W20	1911244	Pleated Carbon	standard	<16lpm	10	114	508	PSJ21, 44 & 66
CB10W10	1911245	Carbon Block	standard	<8lpm	10	114	250	PSJ11 & 33
CB10W20	1911246	Carbon Block	standard	<16lpm	10	114	504	PSJ21, 44 & 66
* FBSW	1911241	Fibron Carbon Block	standard	<8lpm	5	114	245	PSJ11 & 33 Recommended
* FBSW20	1911242	Fibron Carbon Block	standard	<16lpm	5	114	508	PSJ21, 44 & 66 Recommended
Carbon for Chlorine, Taste & Odour								
SCW20	1911960	Polyphosphate	scale	<16lpm	N/A	114	508	PSJ21, 44 & 66

Wall Mount Covers to suit PSJ Filter Housings - see page 2

Model	Reece Code	Colour	Filter	High	Width	Height	Weight	Suits
F8C1	1911839	Sandstone	Single	1 High	480	505	4.2kg	PSJ33
F7C1	1911838	Grey	Single	1 High	480	505	4.2kg	PSJ33
H8C1	1911837	Sandstone	Twin	2 High	480	750	5kg	PSJ44
H7C1	1911836	Grey	Twin	2 High	480	750	5kg	PSJ44
L7C1	1911928	Grey	Triple	2 High	600	750	6kg	PSJ66

Temperature range: 4-40 deg C
Operating Pressure: 250-1205 kPa
In/Out: 1" bspf (25mm)
Maximum flow: <8 L/min for 1 high housing*
<16 L/min for 2 high housing*

*Flow depends on cartridge type, supply pipe and pressure

Performance Data - Treatment and Tests

Class	Treatment Type	Function	Pass
I	Microbiological Status Bacteriostatic	Will stop bacteria increasing	N/A
II	Microbiological Treatment	Sediment	N/A
IIa	Bacteria removal	Will remove or inactivate bacteria	N/A
IIb	Virus removal	Will remove or inactivate virus	N/A
IIc	Protozoa removal	Will remove or inactivate Cryptosporidium and Giardia	N/A
III	Turbidity and particulate reduction	reduce cloudiness	N/A
IV	Taste/Odour reduction	reduce taste and odours	YES
V	Chemical Treatment	Decrease chlorine compounds	YES

The substances reduced by this product are not necessarily in your water.

Note: Performance will vary based on local water conditions. The large amount of variables in drinking water can effect the working time of the filter cartridge. Please consider the filter life and be aware that a drop in pressure of the outlet or a change in the taste of water can indicate it's time to change the filter.

Replacement elements and parts are available from your original supplier.

Warranty



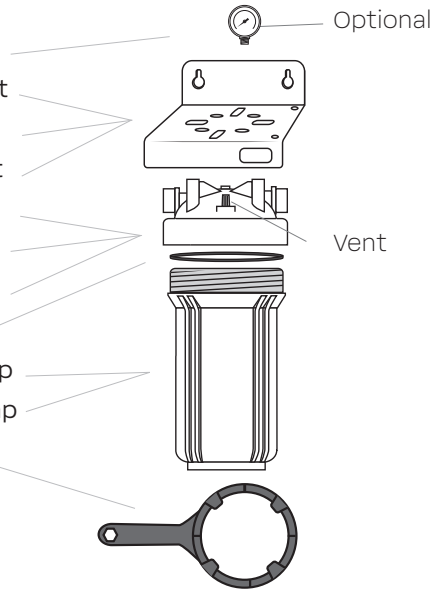
Warranty Statement – BWT Australia warrants that the products supplied will be free from any defects in workmanship or materials from the date of purchase. Residential applications; 1 year parts and labour, 3 years parts only. Commercial applications; 1 year parts and labour from the date of purchase. Further, the warranty provided herein applies only when products are installed in accordance with installation instructions, used within the product specifications and service life; beyond which time or use BWT is absolved of any and all liability for any use of the product. No liability is accepted where pressure, temperature or other specifications are exceeded. The warranty does not cover the service life of the filter cartridge.

In the event of defect or non-conformity, buyer shall properly notify BWT in writing, supplying proof of purchase dates, installation dates, and will protect and retain the products for investigation. There are no other warranties, either merchantability or fitness, either expressed or implied except as excluded by law.

Replacement Parts



- PGSB50174 Pressure Gauge
- BT91C2 Single Wall Mount Bracket
- BT92C2 Twin Wall Mount Bracket
- BT93C2 Triple Wall Mount Bracket
- B2100X00 single Filter Housing Cap
- B4100X00 twin Filter Housing Cap
- B6100X00 triple Filter Housing Cap
- 1911229 - ORBB Filter Housing O-Ring
- B2100X0X 1 high Filter Housing Sump
- B2200X0X 2 high Filter Housing Sump
- 1911019 - SPBF4.5 Housing Spanner



Replacement cartridge Inserts page 7

BWT (Best Water Technology) is Europe's leading water treatment brand, dedicated to delivering innovative, sustainable solutions for clean, safe, and great-tasting water.

<https://www.reece.com.au/brands/bwt>

Follow this link to other BWT products available from Reece Plumbing

Find your nearest Reece store through the link below.

<https://www.reece.com.au/storefinder/>



Manufacturer
BWT Australia
bwtaustralia.com.au

Supplied & Sold by
Reece Australia
reece.com.au