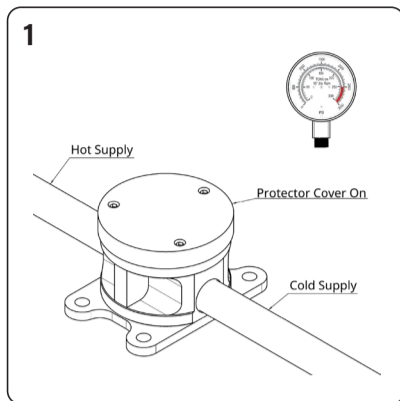




VARA Floor Filler

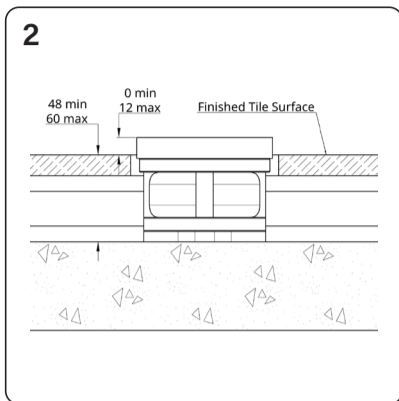
Rough-in

Note: This VARA rough-in kit has been specifically designed for installing in concrete floors (for installation in timber floors, please contact Faucet Strommen to discuss possibilities). The Rough in kit does not contain any decorative components as these are all in the fit off kit.



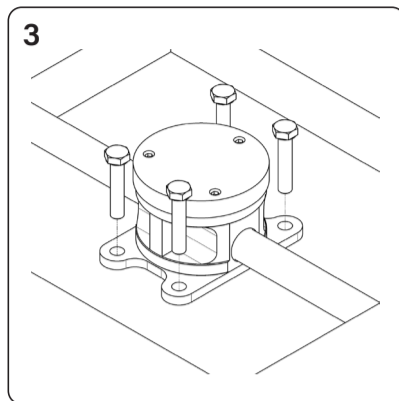
Connect pipework

Unpack the Mixer body assembly (leave the plastic protector cover in place), note the Hot and cold inlet ports. Plumb the mains water supply to the body and pressure test.



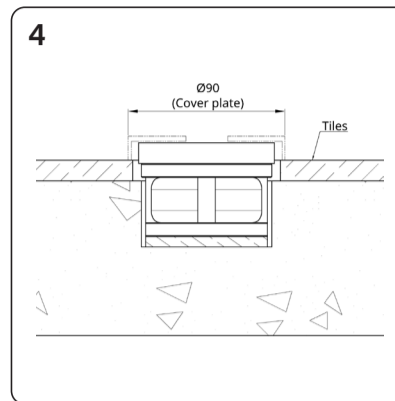
Position body in the floor

Determine the optimum position of the body, considering bath position and tap dimensions. Take special note of floor inset depth of 0-12mm, measuring from the intended finished tiles surface to the top of the plastic protector cover. Position the body level and at the right height (final precise leveling can be done at fit off in the foot of the mixer). Rotational orientation is not important as the fit off allows full 360degree orientation adjustment.



Secure the rough-in body

Fix the body into the sub-floor using suitable anchors

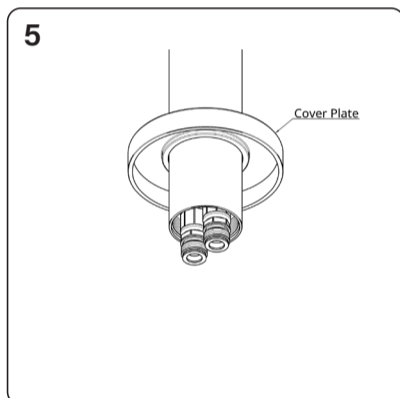


Complete Rough-in and tiling

Fill area around body with cement to and finish to surrounding concrete level. Tile and grout the floor, ensuring that the tiles are cut close around the mixer so that the 90mm cover plate will covers cover the hole.

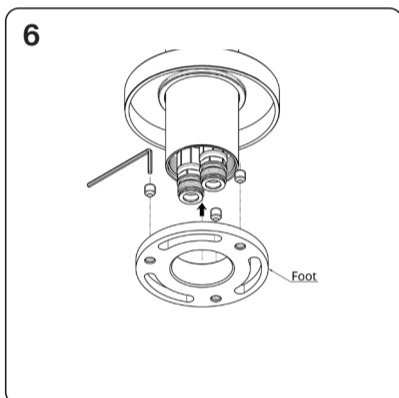
Fit-off kit

Note: Fit off is done after tiling and grouting are complete.



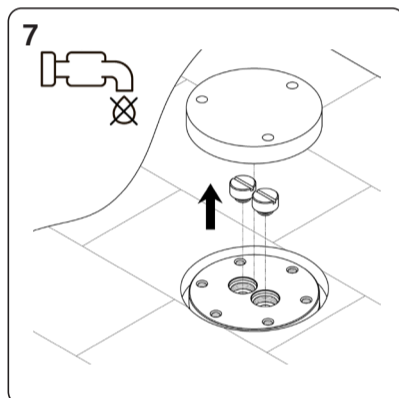
Install cover plate

Carefully slide the cover plate over the base of the mixer keeping it aligned so that it does not jam and mark the mixer pole.



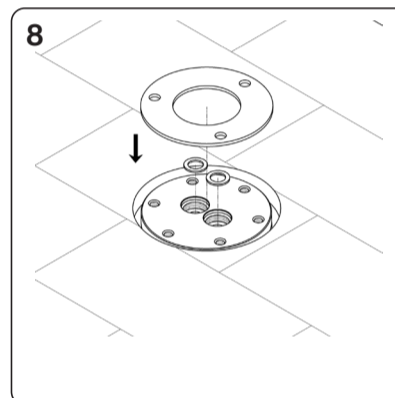
Fasten stainless steel foot into mixer body

Unpack the stainless steel foot and screw the 3 leveling grub screws into the foot such that they do not protrude out the bottom. Thread the foot onto the bottom of the mixer and fasten securely by hand.



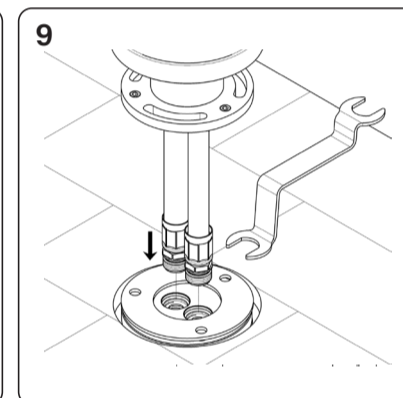
Remove protector cover and plugs

Remove the black plastic protector cover from the mixer body in the floor (you may need to cut the grout/tile glue around the edge before prizing it free). Remove any grit, glue or cement from the face of the mixer body. With the mains water switched off, remove the 2 temporary water plugs from the mixer body.



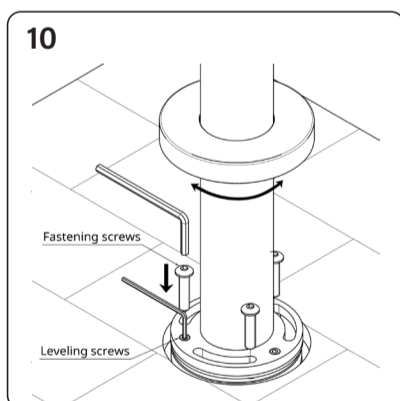
Install washers

Place the thin stainless base washer over the mixer body. Place a red fiber washer into each connection recess.



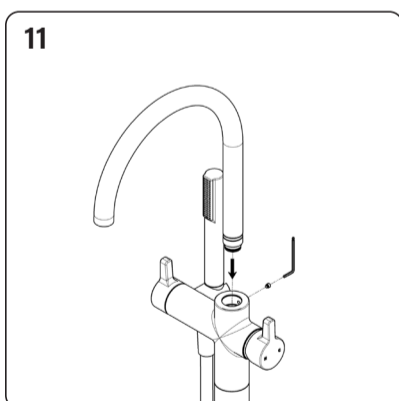
Connect flexible hoses

Bring the mixer into position over the body in the floor and, by hand, screw the hose ends into the mixer body (be careful to keep the thread straight to prevent cross threading). Fasten in the hoses firmly using the spanner provided.



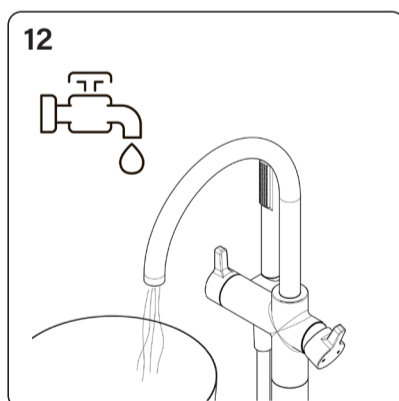
Install floor filler

Stand the mixer up in place and rotate it to the desired position. Rotate the stainless washer to permit the 3 fastening screws to penetrate through the washer and fasten into the body in the floor. Before tightening the foot down completely, set the exact rotation and use the grub screws in the foot to level the mixer. Lock up the fastening screws securely, and check that the fixture installation is solid.



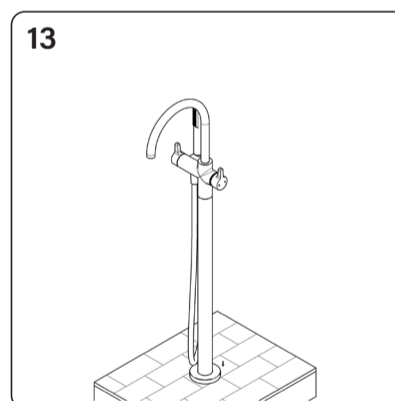
Install spout - do we need this step?

Unwrap the spout assembly. Note the brass rotator ring on the spout assembly has a small indent hole. Carefully align this hole with the grub screw mount hole in the back of the mixer. Insert the spout into the mixer and fasten the grub screw using the provide Allen key. Once fitted check proper attachment by pulling spout and ensuring it does not come out.



Test operation

Open the tap handle and slowly open the mains water supply. Check the tap operation and check there are no leaks from the fittings



Finish the installation

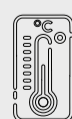
Slide the flange down over the fitting, and silicone around the flange. If there are any issues please contact Faucet Strommen before leaving the site.



Must be fitted in accordance with AS/NZS 3500 by qualified plumber



Mains 500kpa regulator must be fitted



Maximum hot water temp. 65°C



Only clean municipal water supply. No bore, dam or hard water without filtration & treatment

Cleaning

Clean only with a soft microfiber or similar cloth and warm clean water. Ensure that the cloth is clean and free of any grit or chemical. Dry tap off with a soft clean cloth. Ensure that your tap is not subject to any chemicals, building grit or any type of abrasive or polish. For care of special finishes please visit our website.

Maintenance - Aerators

Aerators may need to be flushed from time to time if flow diminishes or stream pattern deteriorates. Use the aerator key provided to unscrew the aerator. You will notice a "castle" pattern around the edge of the aerator; the key engages with this allowing you to unscrew the insert easily. Rinse off the upper face of the insert with running water and gently brush clean with an old toothbrush to remove any debris before refitting the aerator.