

KADO

Kado Lux Close Coupled Back To Wall Rimless Overheight Bottom Inlet Toilet Suite with Thin Soft Close Quick Release Seat (4 Star)

1805495

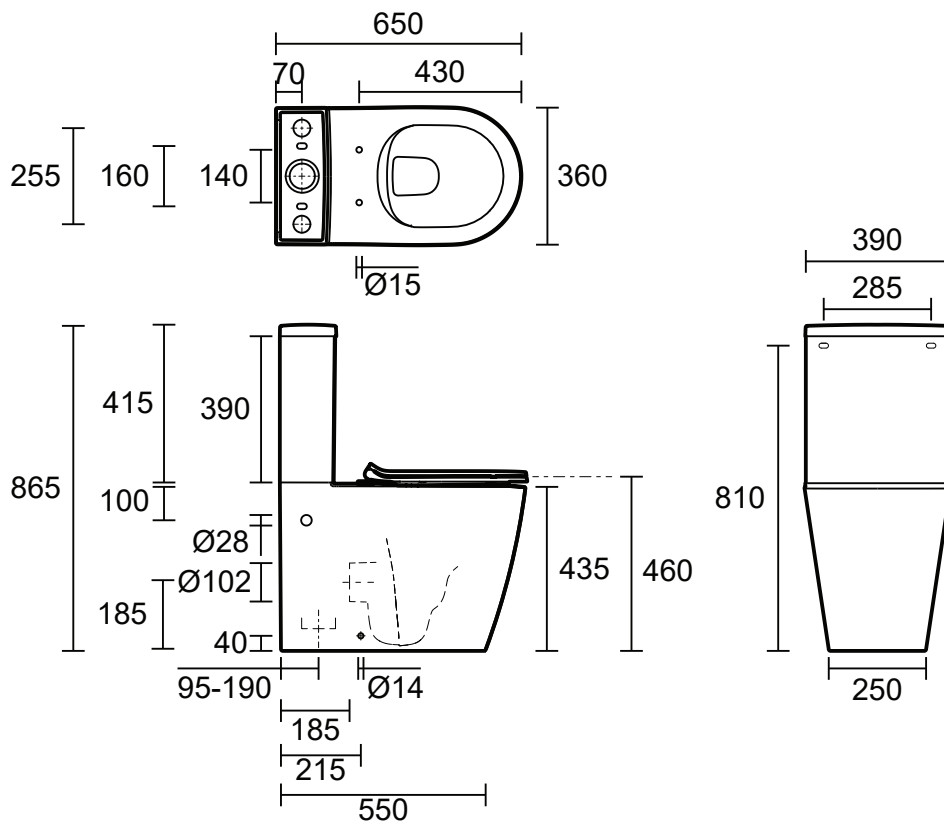
SPECIFICATIONS

Recommended Use	Residential;Commercial
Pan Material	Vitreous China
Toilet Seat Material	Polypropylene (PP)
Weight of Pan	37 kg
Weight of Cistern	15 kg
Water Inlet Position	Bottom Inlet
Toilet Seat	Soft Close Quick Release Thin
Rim Configuration	Rimless
Outlet Type	P Trap/S Trap using conversion bend (supplied)
Pan Fixing	Screwed to the floor using brackets (supplied) and bedded with sealant
Inlet Valve Pressure Rating	500 kPa

WARRANTY

Residential & Commercial Use (Years)	25
Spare Parts & Labour (Years)	1

Please refer to Kado Warranty Page for full Terms and Conditions



Dimensions are nominal measurements only.

CLEANING RECOMMENDATIONS:

We recommend the use of soapy water or approved cleaners. This product should not be cleaned with abrasive materials. Damage caused by any improper treatment is not covered by the product warranty. Refer to Warranty Conditions

Disclaimer: Products in this specification manual must by regulation be installed by licensed and registered trade people. The manufacturer/distributor reserves the right to vary specifications or delete models from their range without prior notification. Dimensions are nominal measurements only. Dimensions and set-outs listed are correct at time of publication however the manufacturer/distributor takes no responsibility for printing errors.

Published 01/04/2026

To see the complete Kado range go to www.reece.com.au/bathrooms

