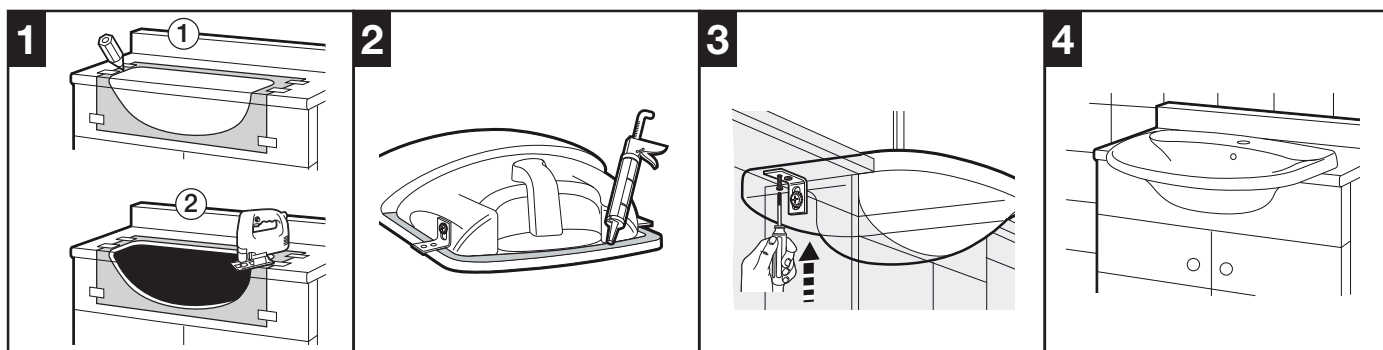
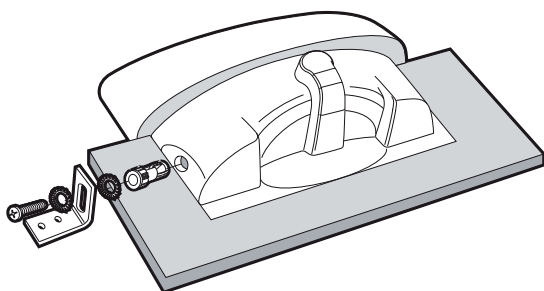


ROCA THE GAP SEMI RECESS BASIN

INSTALLATION INSTRUCTIONS



A392501 450b

Roca Sanitario, S.A.
Avda. Diagonal, 513
08029 Barcelona
SPAIN
www.roca.com

productsupport.rs@roca.net
soporteproducto.rs@roca.net