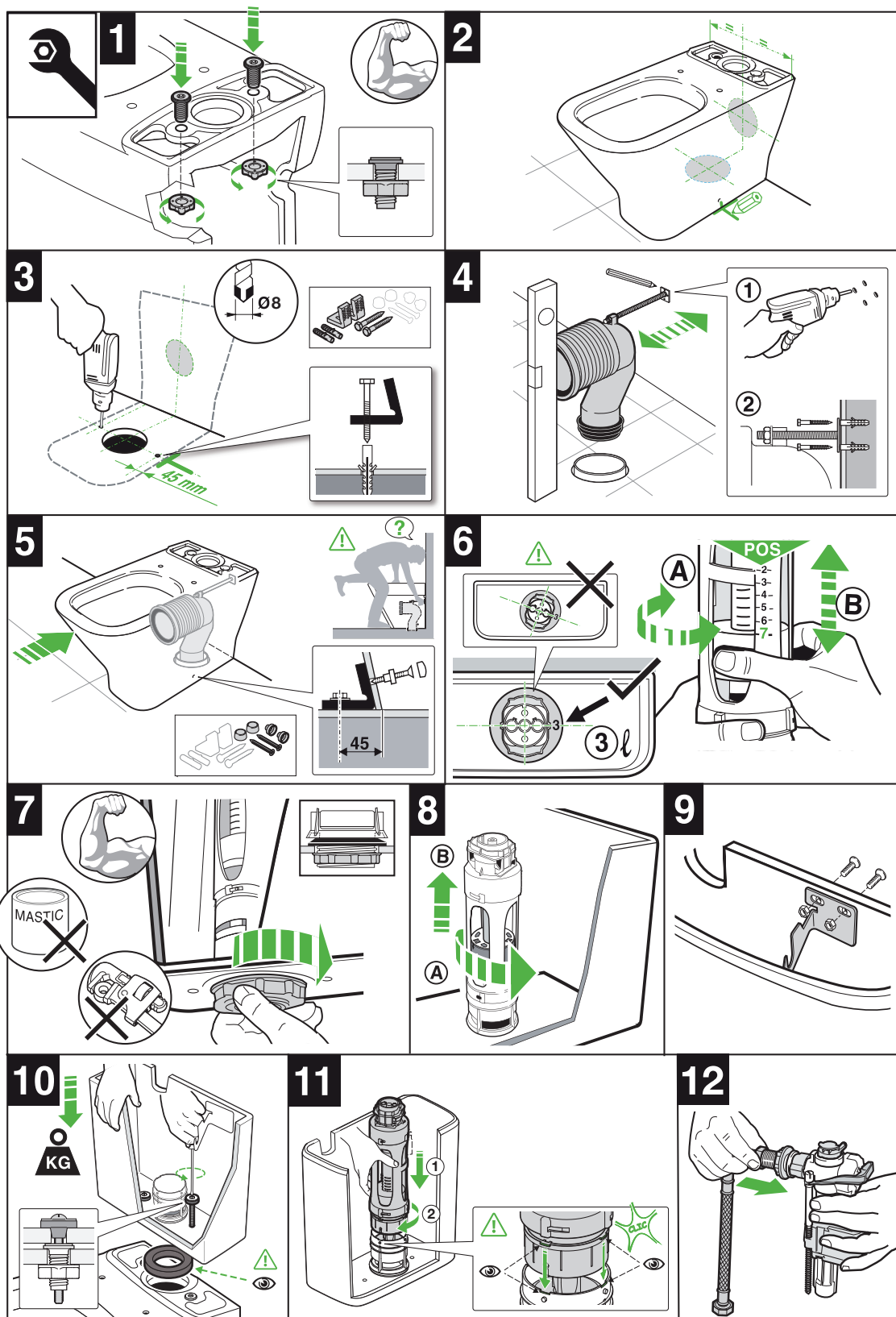


ROCA

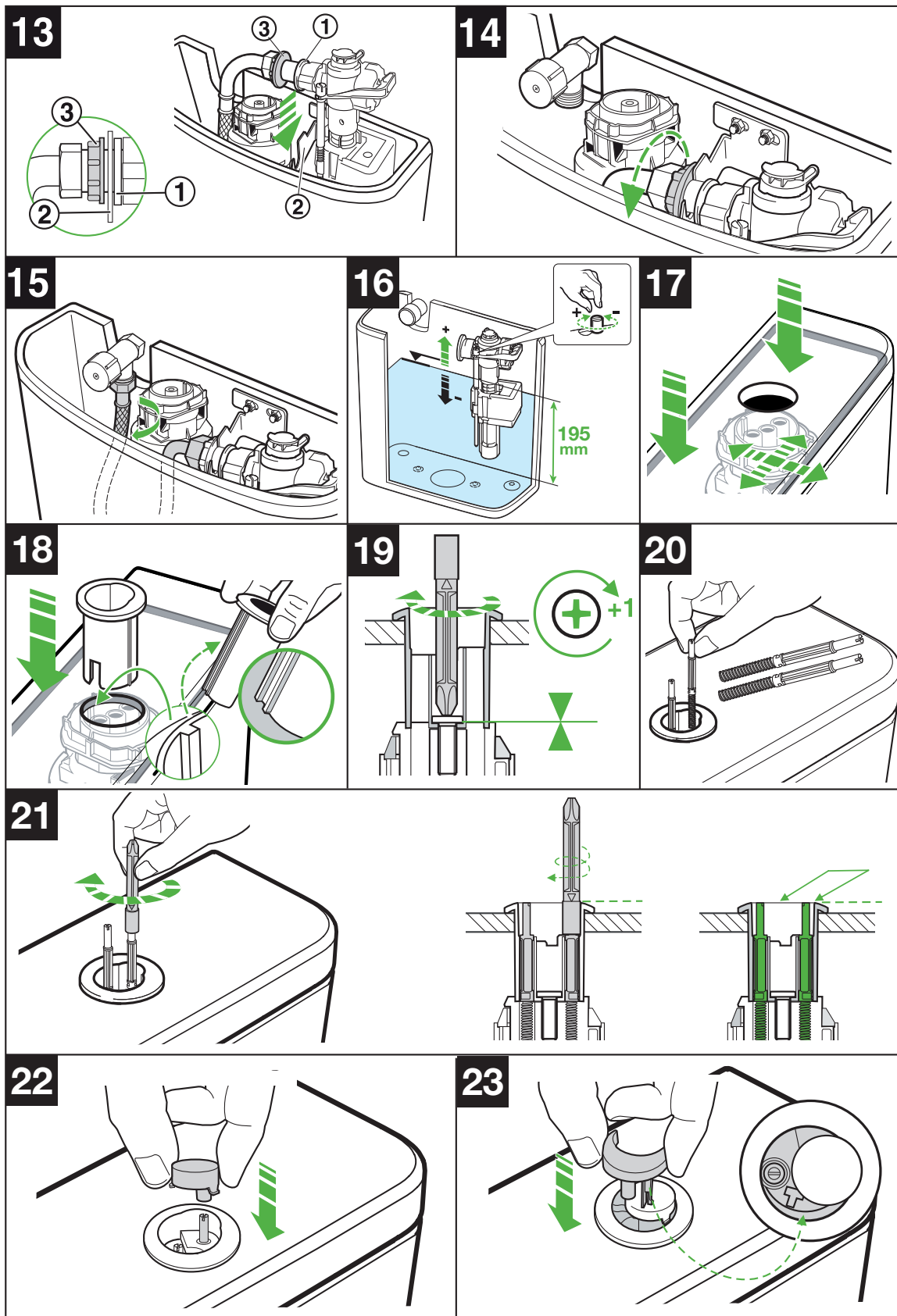
# THE GAP CLOSE COUPLED BACK TO WALL BACK INLET COMFORT HEIGHT TOILET SUITE

## INSTALLATION INSTRUCTIONS



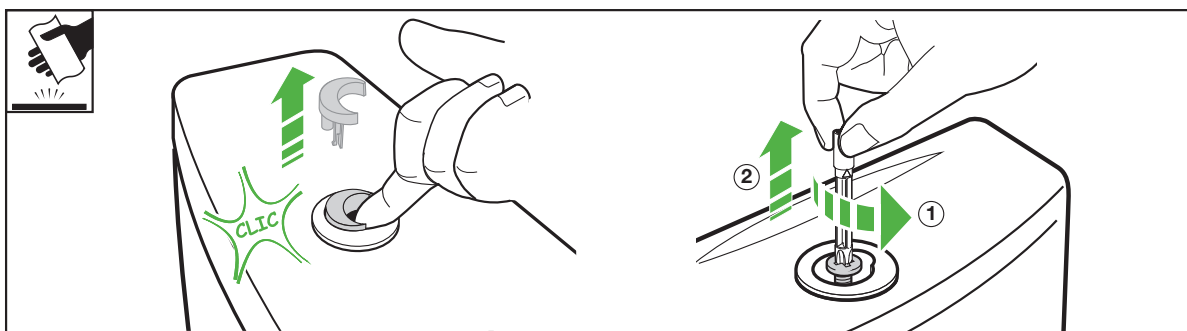
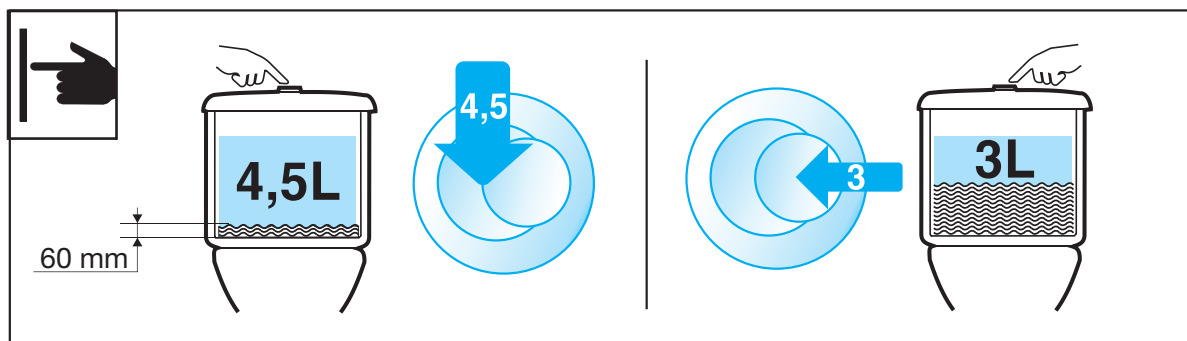
ROCA

**THE GAP CLOSE COUPLED BACK TO WALL BACK INLET COMFORT HEIGHT TOILET SUITE**

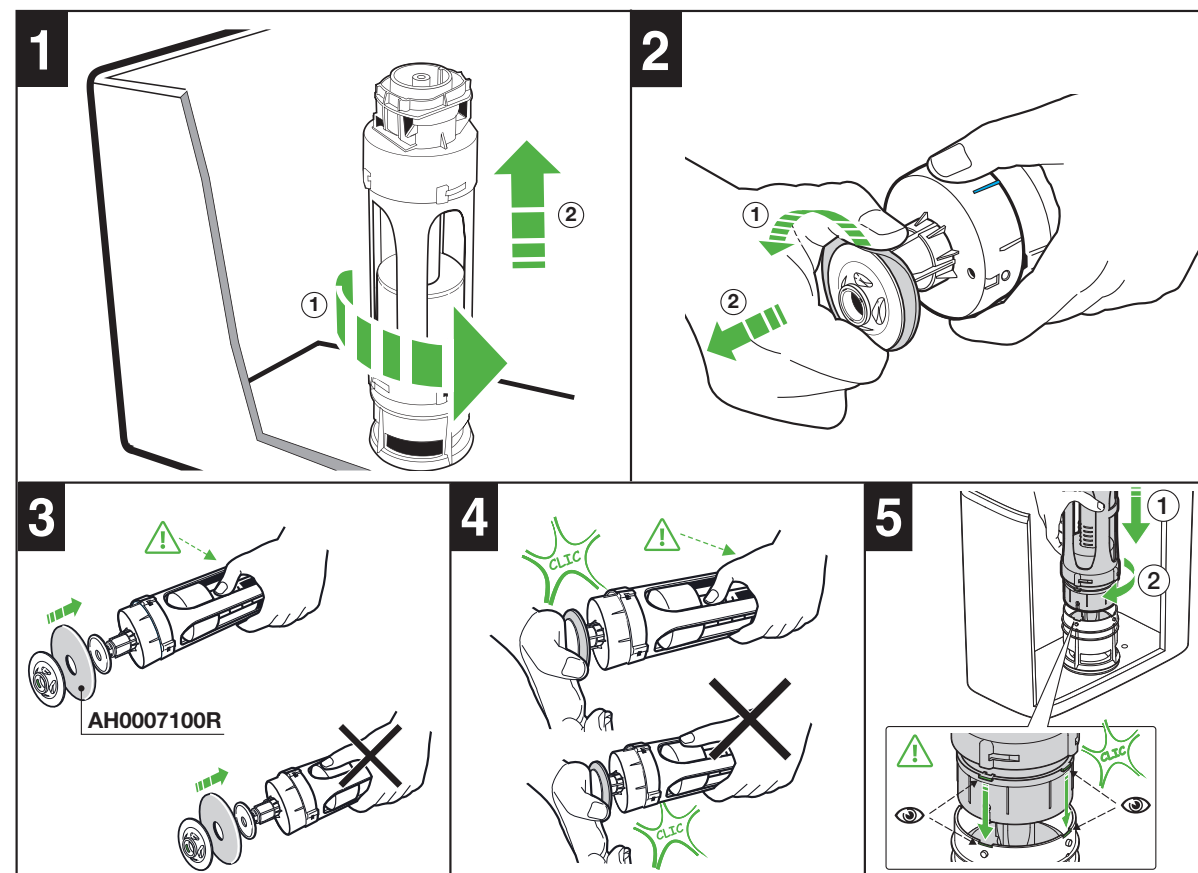


ROCA

# THE GAP CLOSE COUPLED BACK TO WALL BACK INLET COMFORT HEIGHT TOILET SUITE



## MAINTENANCE / REPLACEMENT OF OUTLET WASHER

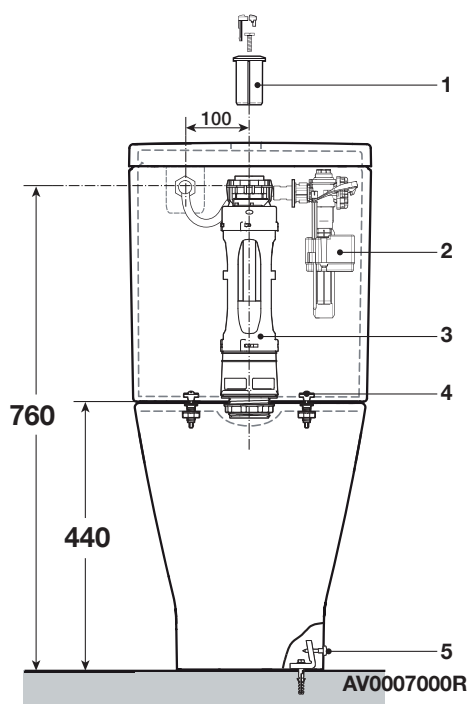


Plumbers, please ensure a copy of the installation instructions is left with the end user for future reference

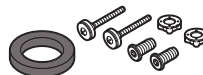
ROCA

# THE GAP CLOSE COUPLED BACK TO WALL BACK INLET COMFORT HEIGHT TOILET SUITE

## PARTS



- |                |                    |
|----------------|--------------------|
| 1 - AH0001700R | Flush Button       |
| 2 - A822096400 | Inlet Valve        |
| 3 - AH0000100R | Outlet Valve       |
| 4 - AV0028800R | Cistern Fixing Kit |



- |                |                |
|----------------|----------------|
| 5 - AV0009400R | Pan Fixing Kit |
|----------------|----------------|

