

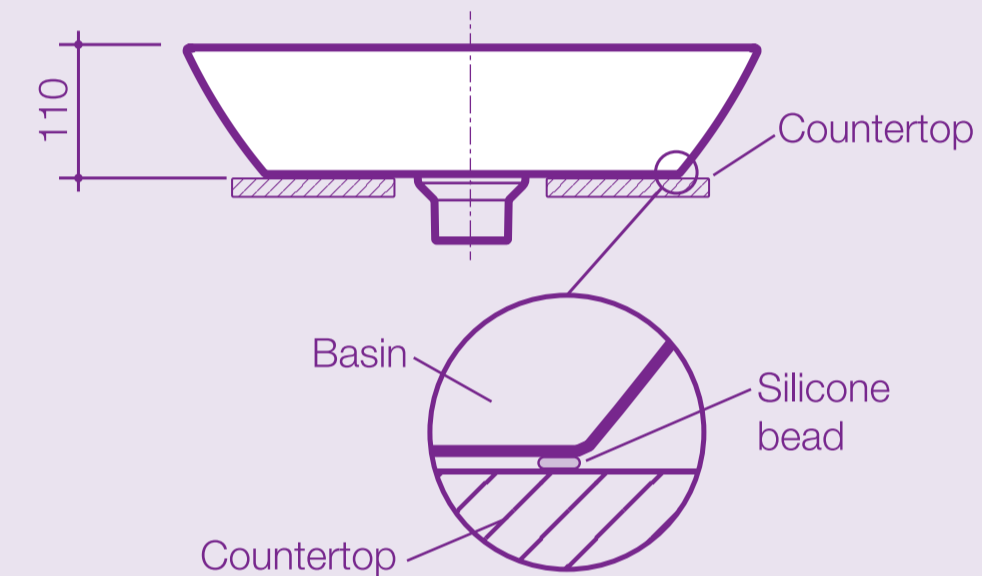
CAROMA

Forma II 500

Ceramic Above Counter Basin

200mm 100mm 0
Scale

IMPORTANT:
Use only an acetic cured silicone sealant.
Epoxy type of glues must not be used.



Installation Instructions

1. Position template over countertop.
2. Attach template cut-out guide to countertop with adhesive tape or otherwise transfer cut-out line to countertop.
3. Drill Ø20mm holes and use as jigsaw starter. Cut out template with care.
4. Fit waste assembly to basin.
IMPORTANT: Ensure waste threads and nut are watertight on the underside of the basin waste.
5. Clean underside of the sealing rim and fitting face of basin that comes into contact with the countertop to ensure both are free of dust, dirt and grease.
6. Apply a layer of acetic cured silicone sealant around the sealing rim and fitting face of the basin. **IMPORTANT:** Do not use epoxy sealants.
7. Bed the basin onto the countertop.
8. Connect trap to waste assembly.
9. Clean off excess silicone sealant around basin.

Installation must be in accordance with AS/NZS 3500.2

