

# KADO

## Kado Lux Close Coupled Back to Wall Overheight Bottom Inlet Toilet Suite with Soft Close Quick Release Seat (4 Star)

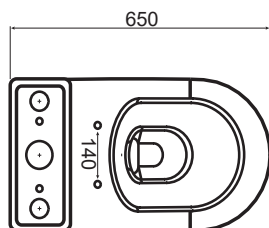
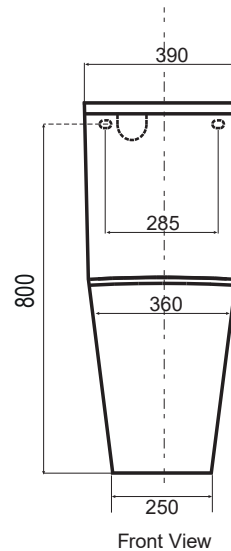
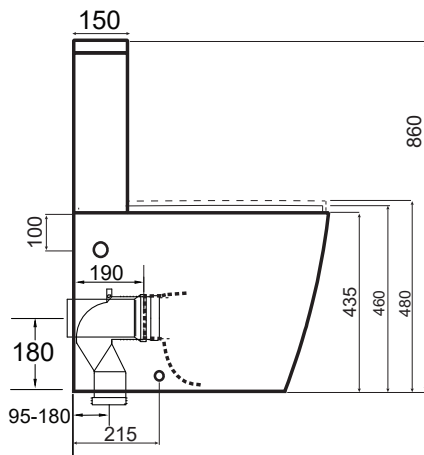
### SPECIFICATIONS

|                                     |   |
|-------------------------------------|---|
| Recommended Use                     | Residential;Commercial  |
| Material                            | Vitreous China  |
| Colour                              | White   |
| Weight of Pan                       | 33kg  |
| Weight of Cistern                   | 15kg  |
| Water Inlet Position                | Bottom Inlet  |
| Toilet Seat                         | Soft Close Quick Release (Urea)   |
| Seat Height                         | 460min to 480max finished floor to top of seat for an ambulant installation to AS1428 |
| Rim Configuration                   | Box Rim   |
| Outlet Type                         | Universal S & P<br>Converts to S Trap using plastic S-Bend (included)                 |
| S Trap Setout                       | 95 - 180mm  |
| P Trap Setout                       | 180mm   |
| Bottom Water Inlet (Centre to Left) | 220mm   |
| Inlet Valve Pressure Rating         | 500kPa  |

### WARRANTY

|                                      |    |
|--------------------------------------|----|
| Residential & Commercial Use (Years) | 25 |
| Spare Parts & Labour (Years)         | 1  |

Please refer to Kado Warranty Page for full Terms and Conditions



Dimensions are nominal measurements only.

**Disclaimer:** Products in this specification manual must by regulation be installed by licensed and registered trade people. The manufacturer/distributor reserves the right to vary specifications or delete models from their range without prior notification. Dimensions are nominal measurements only. Dimensions and set-outs listed are correct at time of publication however the manufacturer/distributor takes no responsibility for printing errors.

Published 01/04/2026

### CLEANING RECOMMENDATIONS:

We recommend the use of soapy water or approved cleaners. This product should not be cleaned with abrasive materials. Damage caused by any improper treatment is not covered by the product warranty. Refer to Warranty Conditions.

