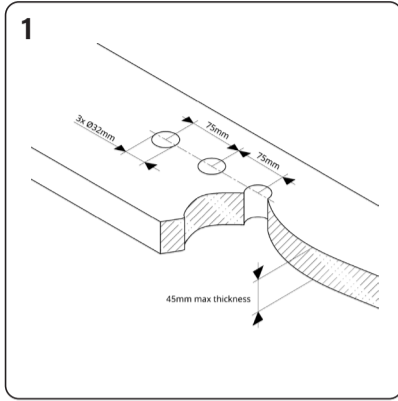


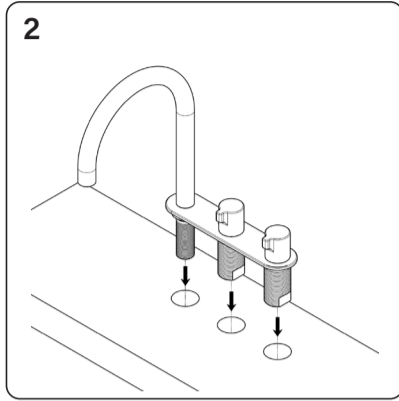


VARA Basin Hob Sets



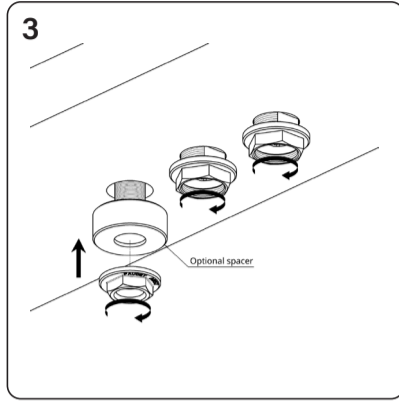
1 Prepare for install

This product is designed to be installed into a bench or sink of maximum thickness 45mm, and with hole cut-outs 75mm from each other.



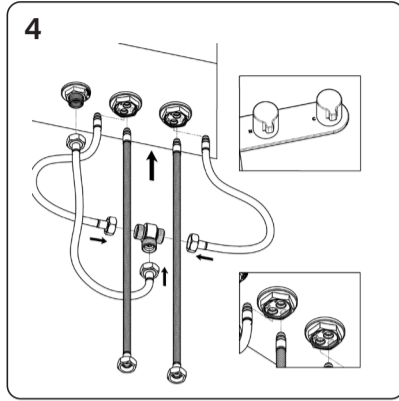
2 Place product into bench

The product has been supplied partially assembled to keep installation time to a minimum. Carefully unpack the product and place it into the hole cut-outs.



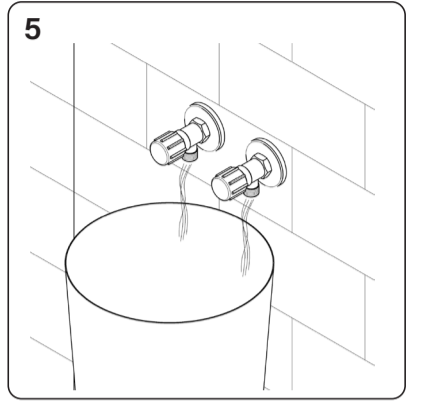
3 Fasten bodies

Screw the brass nuts onto the bodies and tighten with a spanner. Please note that spacer for the spout body will be required for bench thicknesses less than 20mm.



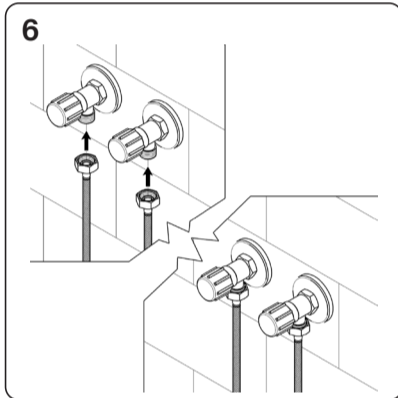
4 Install hoses

Install hoses as per the image. The blue braided hose connects to the port marked "IN" on the right hand side body and the red hose to the "IN" port on the middle body. Connect the M10 male ends of the flexi hoses first, and tighten firmly by hand. For the G1/2 female ends, nip up gently with a spanner.



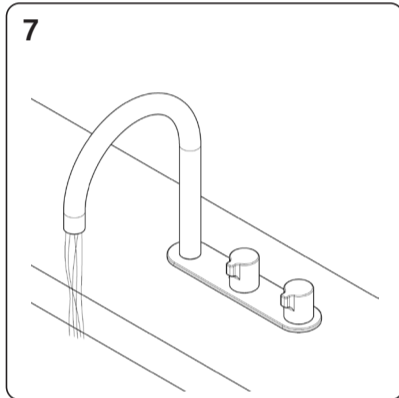
5 Flush pipes

Flush the water supply lines by running water through the mini supply stop taps into a bucket.



6 Connect hoses

Connect the hoses to the water supply points / stop taps, Blue braid to the cold supply and red braid to the hot supply. Nip up gently with a spanner. Do not overtighten. Ensure flexi hoses are not twisted, stretched, or kinked.



7 Test product

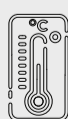
Open the tap handles then slowly open the supply stop taps. Once the air has exited the tap you can close the tap handles. Run and operate the tap, check for any leaks or issues. If you have any concerns contact Faucet Strommen before leaving the site.



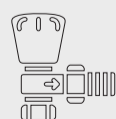
Must be fitted in accordance with AS/NZS 3500 by qualified plumber



Mains 500kpa regulator must be fitted



Maximum hot water temp. 65°C



Mini stop taps must be fitted



Water lines must be flushed prior to connection



Only clean municipal water supply. No bore, dam or hard water without filtration & treatment

Cleaning
Clean only with a soft microfiber or similar cloth and warm clean water. Ensure that the cloth is clean and free of any grit or chemical. Dry tap off with a soft clean cloth. Ensure that your tap is not subject to any chemicals, building grit or any type of abrasive or polish. For care of special finishes please visit our website.

Maintenance - Aerators
Aerators may need to be flushed from time to time if flow diminishes or stream pattern deteriorates. Use the aerator key provided to unscrew the aerator. You will notice a "castle" pattern around the edge of the aerator; the key engages with this allowing you to unscrew the insert easily. Rinse off the upper face of the insert with running water and gently brush clean with an old toothbrush to remove any debris before refitting the aerator.

Contact Faucet Strommen for any technical assistance on installations

03 5450 4236

customerservice@faucetstrommen.com.au

