



WM 74896 Ma
WaterMark
EDGE

silver 16x2.0 109345 DN/OD 16 PN 16 SDR 9 PE-Xa 80 AS 2492
EDGE



REHAU EDGE
red 16x2.0 109345 DN/OD 16 PN 16 SDR 9 P
EDGE



Engineering progress
Enhancing lives

REHAU EDGE™

Product book - Australia/New Zealand



REHAU EDGE™

INNOVATIVE TECHNOLOGY



Insert



Compress



Done!

| | Compression Sleeve | Crimp | EDGE™ |
|--|-------------------------------------|-------------------------------------|-------------------------------------|
| No expansion required | <input type="checkbox"/> | <input checked="" type="checkbox"/> | <input checked="" type="checkbox"/> |
| No Gauge required | <input checked="" type="checkbox"/> | <input type="checkbox"/> | <input checked="" type="checkbox"/> |
| No over- or under- crimping | <input checked="" type="checkbox"/> | <input type="checkbox"/> | <input checked="" type="checkbox"/> |
| Rotatable dual jaws for battery tools | <input checked="" type="checkbox"/> | <input type="checkbox"/> | <input checked="" type="checkbox"/> |
| Fitting grips to the pipe before compression | <input type="checkbox"/> | <input type="checkbox"/> | <input checked="" type="checkbox"/> |
| Visual control of pipe insertion depth | <input type="checkbox"/> | <input checked="" type="checkbox"/> | <input checked="" type="checkbox"/> |
| Visual check of completed connection | <input checked="" type="checkbox"/> | <input type="checkbox"/> | <input checked="" type="checkbox"/> |
| Immediate pressure testing | <input checked="" type="checkbox"/> | <input checked="" type="checkbox"/> | <input checked="" type="checkbox"/> |
| Leaks when uncompressed | <input type="checkbox"/> | <input checked="" type="checkbox"/> | <input checked="" type="checkbox"/> |
| 25-year system warranty | <input checked="" type="checkbox"/> | <input checked="" type="checkbox"/> | <input checked="" type="checkbox"/> |

It's your **EDGE™**

The **EDGE** of tomorrow

EDGE™ is a revolutionary new piping system that offers the safety of compression sleeve with the speed of crimp. EDGE™ is designed for security and speed without the need for expansion. EDGE™ is a comprehensive plumbing solution consisting of LF brass fittings and solvent-resistant polymer sleeves and fittings, highly flexible PN16 PE-Xa pipe ranging from 16mm to 32mm for hot and cold, recycled and rainwater use.



Fitting stays in place after being inserted



No pipe expansion required



Visual control of pipe insertion via inspection windows



Visibly leaks when uncompressed



Security without the steps

Developed in collaboration with installers and designers, EDGE™ is the next evolution in compression sleeve technology. REHAU EDGE™ is the perfect solution for plumbing professionals who value speed, security and a competitive edge for their installations.

REHAU EDGE™

Product Range



REHAU EDGE™ SILVER

| REECE code | Size |
|------------|----------------------------------|
| 1456100 | EDGE SILVER 16X2.0 - 5M STRAIGHT |
| 1456101 | EDGE SILVER 20X2.3 - 5M STRAIGHT |
| 1456102 | EDGE SILVER 25X2.8 - 5M STRAIGHT |
| 1456103 | EDGE SILVER 32X3.6 - 5M STRAIGHT |
| 1456104 | EDGE SILVER 16X2.0 - 100M COIL |
| 1456105 | EDGE SILVER 20X2.3 - 100M COIL |
| 1456209 | EDGE SILVER 16X2.0 - 50M COIL |
| 1456210 | EDGE SILVER 20X2.3 - 50M COIL |
| 1456106 | EDGE SILVER 25X2.8 - 50M COIL |



REHAU EDGE™ RED

| REECE code | Size |
|------------|-------------------------------|
| 1456108 | EDGE RED 16X2.0 - 5M STRAIGHT |
| 1456109 | EDGE RED 20X2.3 - 5M STRAIGHT |
| 1456110 | EDGE RED 25X2.8 - 5M STRAIGHT |
| 1456111 | EDGE RED 16X2.0 - 100M COIL |
| 1456112 | EDGE RED 20X2.3 - 100M COIL |
| 1456211 | EDGE RED 16X2.0 - 50M COIL |
| 1456212 | EDGE RED 20X2.3 - 50M COIL |
| 1456113 | EDGE RED 25X3.2 - 50M COIL |



REHAU EDGE™ LILAC

| REECE code | Size |
|------------|------------------------------|
| 1456114 | EDGE LILAC 16X2.0 - 50M COIL |
| 1456115 | EDGE LILAC 20X2.3 - 50M COIL |
| 1456116 | EDGE LILAC 25X2.8 - 50M COIL |



REHAU EDGE™ GREEN

| REECE code | Size |
|------------|------------------------------|
| 1456118 | EDGE GREEN 16X2.0 - 50M COIL |
| 1456119 | EDGE GREEN 20X2.3 - 50M COIL |
| 1456120 | EDGE GREEN 25X2.8 - 50M COIL |



EDGE™ Compression sleeve

| REECE code | Size |
|------------|----------------------------|
| 1456122 | EDGE COMPRESSION SLEEVE 16 |
| 1456123 | EDGE COMPRESSION SLEEVE 20 |
| 1456124 | EDGE COMPRESSION SLEEVE 25 |
| 1456125 | EDGE COMPRESSION SLEEVE 32 |



EDGE™ STRAIGHT COUPLING

| REECE code | Size |
|------------|------------------------------|
| 1456126 | EDGE STRAIGHT COUPLING 16 |
| 1456128 | EDGE STRAIGHT COUPLING 20 |
| 1456131 | EDGE STRAIGHT COUPLING 25 |
| #1456372 | EDGE LF STRAIGHT COUPLING 32 |



EDGE™ REDUCING COUPLING

| REECE code | Size |
|------------|---------------------------------|
| 1456127 | EDGE REDUCING COUPLING 20-16 |
| 1456129 | EDGE REDUCING COUPLING 25-16 |
| 1456130 | EDGE REDUCING COUPLING 25-20 |
| #1456373 | EDGE LF REDUCING COUPLING 32-25 |



EDGE™ Tee

| REECE code | Size |
|------------|----------------|
| 1456138 | EDGE TEE 16 |
| 1456139 | EDGE TEE 20 |
| 1456140 | EDGE TEE 25 |
| #1456375 | EDGE LF TEE 32 |



EDGE TEE™ - REDUCING

| REECE code | Size |
|------------|-----------------------------------|
| 1456142 | EDGE TEE REDUCING 20-(16)-20 |
| 1456143 | EDGE TEE REDUCING 25-(16)-25 |
| 1456152 | EDGE TEE REDUCING 25-(20)-20 |
| #1456379 | EDGE LF TEE - REDUCING 32-(25)-25 |
| #1456376 | EDGE LF TEE - REDUCING 32-(16)-32 |
| #1456377 | EDGE LF TEE - REDUCING 32-(20)-32 |
| #1456378 | EDGE LF TEE - REDUCING 32-(25)-32 |
| 1456147 | EDGE TEE REDUCING 25-(20)-25 |
| 1456148 | EDGE TEE REDUCING 20-(20)-16 |
| 1456149 | EDGE TEE REDUCING 25-(25)-20 |
| 1456150 | EDGE TEE REDUCING 20-(16)-16 |
| 1456151 | EDGE TEE REDUCING 25-(16)-16 |
| 1456154 | EDGE TEE REDUCING 16-(20)-16 |



EDGE™ Elbow

| REECE code | Size |
|------------|------------------|
| 1456134 | EDGE ELBOW 16 |
| 1456135 | EDGE ELBOW 20 |
| 1456136 | EDGE ELBOW 25 |
| #1456374 | EDGE LF ELBOW 32 |

Brass body



EDGE™ MALE STRAIGHT CONNECTOR

| REECE code | Size |
|------------|---------------------------------------|
| 1456386 | EDGE LF MALE STR CONNECTOR 16 -R 1/2" |
| 1456387 | EDGE LF MALE STR CONNECTOR 16 -R 3/4" |
| 1456388 | EDGE LF MALE STR CONNECTOR 20 -R 1/2" |
| 1456389 | EDGE LF MALE STR CONNECTOR 20 -R 3/4" |
| 1456390 | EDGE LF MALE STR CONNECTOR 25 -R 3/4" |
| 1456391 | EDGE LF MALE STR CONNECTOR 25 -R 1" |
| 1456392 | EDGE LF MALE STR CONNECTOR 32 -R 1" |



EDGE™ FEMALE STRAIGHT CONNECTOR

| REECE code | Size |
|------------|--|
| 1456380 | EDGE LF FEMALE STR CONNECTOR 16 -RP 1/2" |
| 1456381 | EDGE LF FEMALE STR CONNECTOR 20 -RP 1/2" |
| 1456382 | EDGE LF FEMALE STR CONNECTOR 20 -RP 3/4" |
| 1456383 | EDGE LF FEMALE STR CONNECTOR 25 -RP 3/4" |
| 1456384 | EDGE LF FEMALE STR CONNECTOR 25 -RP 1" |
| 1456385 | EDGE LF FEMALE STR CONNECTOR 32 -RP 1" |



EDGE™ MALE THREADED ELBOW

| REECE code | Size |
|------------|----------------------------------|
| 1456393 | EDGE LF MALE THRD ELB 16 -R 1/2" |
| 1456394 | EDGE LF MALE THRD ELB 20 -R 1/2" |
| 1456395 | EDGE LF MALE THRD ELB 20 -R 3/4" |
| 1456396 | EDGE LF MALE THRD ELB 25 -R 1" |
| 1456397 | EDGE LF MALE THRD ELB 32 -R 1" |



EDGE™ FEMALE THREADED ELBOW

| REECE code | Size |
|------------|-------------------------------------|
| 1456398 | EDGE LF FEMALE THRD ELB 16 -RP 1/2" |
| 1456399 | EDGE LF FEMALE THRD ELB 20 -RP 3/4" |



EDGE™ FEMALE THREAD ELBOW W/LUGS

| REECE code | Size |
|------------|--|
| 1456400 | EDGE LF FEMALE THRD ELB WLUGS16 -RP 1/2" |
| 1456401 | EDGE LF FEMALE THRD ELB WLUGS20 -RP 3/4" |
| 1456402 | EDGE LF FEMALE THRD ELB WLUGS 25 -RP 1" |
| 1456403 | EDGE LF FEMALE THRD ELB WLUGS 32 -RP 1" |



EDGE™ MALE THREAD ELBOW W/LUGS

| REECE code | Size | Thread Length mm |
|------------|--|------------------|
| 1456404 | EDGE LF MALE THRD ELB WLUGS 16 -G1/2" 65 | 32 |
| 1456405 | EDGE LF MALE THRD ELB WLUGS 16 -G1/2" 90 | 50 |
| 1456406 | EDGE LF MALE THRD ELB WLUGS16 -G1/2" 185 | 115 |
| 1456407 | EDGE LF MALE THRD ELB WLUGS 20 -G1/2" 95 | 50 |
| 1456408 | EDGE LF MALE THRD ELB WLUGS20 -G1/2" 185 | 115 |
| 1456409 | EDGE LF MALE THRD ELB WLUGS 20 -G3/4" 95 | 50 |
| 1456410 | EDGE LF MALE THRD ELB WLUGS20 -G3/4" 185 | 115 |



EDGE™ STRAIGHT TAP CON W/SEAL

| REECE code | Size |
|------------|--|
| 1456411 | EDGE LF STR TAP CONN WSEAL 16 -G1/2" NUT |
| 1456412 | EDGE LF STR TAP CONN WSEAL 20 -G3/4" NUT |



EDGE™ STRAIGHT TAP CON W/GASKET

| REECE code | Size |
|------------|--|
| 1456413 | EDGE LF STR TAP CONN WGSKT 16 -G1/2" NUT |
| 1456414 | EDGE LF STR TAP CONN WGSKT 20 -G3/4" NUT |
| 1456415 | EDGE LF STR TAP CONN WGSKT 25 -G1" NUT |



EDGE™ BENT TAP CON W/SEAL

| REECE code | Size |
|------------|--|
| 1456416 | EDGE LF BENT TAP CONN WSEAL16 -G1/2" NUT |
| 1456417 | EDGE LF BENT TAP CONN WSEAL20 -G3/4" NUT |



EDGE™ STOPPER

| REECE code | Size |
|------------|-----------------|
| 1456186 | EDGE STOPPER 16 |
| 1456187 | EDGE STOPPER 20 |

REHAU EDGE™

Product Range



EDGE™ BATH/LAUNDRY/SINK BREECH R

| REECE code | Size |
|------------|--|
| 1456418 | EDGE LF BATH/LND/SINK BREECH R ANGLE 8" |
| 1456419 | EDGE LF BATH/LND/SINK BREECH R ANGLE 12" |

* Not available in New Zealand



EDGE™ SHOWER BREECH RIGHT ANGLE

| REECE code | Size |
|------------|--------------------------------------|
| 1456420 | EDGE LF SHOWER BREECH RIGHT ANGLE 6" |
| 1456421 | EDGE LF SHOWER BREECH RIGHT ANGLE 8" |

* Not available in New Zealand



EDGE™ TRANSITION TO COPPER

| REECE code | Size |
|------------|--|
| 1456199 | EDGE TRANSITION TO COPPER 16-DN15(AUS) |
| 1456200 | EDGE TRANSITION TO COPPER 20-DN20(AUS) |
| 1456201 | EDGE TRANSITION TO COPPER 25-DN25(AUS) |
| 1456202 | EDGE TRANSITION TO COPPER 32-DN25(AUS) |

* For connection into copper press fittings only.

* Not for brazing



EDGE™ Transition from the RAUTITAN system

| REECE code | Size |
|------------|--------------------------------------|
| 1456205 | EDGE LF TRANSITION TO RAUTITAN 16-16 |
| 1456206 | EDGE LF TRANSITION TO RAUTITAN 20-20 |



RAUTOOL L1

| REECE code | Size |
|------------|---|
| 1451372 | RAUTOOL EDGE L1 KIT 16/20 WITH CASE (16,20,25,32 SINGLE JAWS SOLD SEPARATELY) |
| 1451246 | RAUTOOL EDGE L1 JAW SET 16 MM |
| 1451247 | RAUTOOL EDGE L1 JAW SET 20 MM |
| 1451248 | RAUTOOL EDGE L1 JAW SET 25 MM |
| 1451249 | RAUTOOL EDGE L1 JAW SET 32 MM |
| 1440430 | RAUTOOL L1 SPARE KITS #1 |
| 1440431 | RAUTOOL L1 SPARE KITS #2 |
| 1440432 | RAUTOOL L1 SPARE KITS #3 |
| 1440433 | RAUTOOL L1 SPARE KITS #4-JAW PIN SET |



RAUTOOL A-LIGHT2 EDGE™ jaws

| REECE code | Size |
|------------|------------------------------------|
| 1451314 | EDGE ALIGHT2 DUAL JAW SET 16/20 MM |
| 1451306 | EDGE ALIGHT2 DUAL JAW SET 25/32 MM |

* Also compatible with Rothenberger ROMAX AXIAL tool

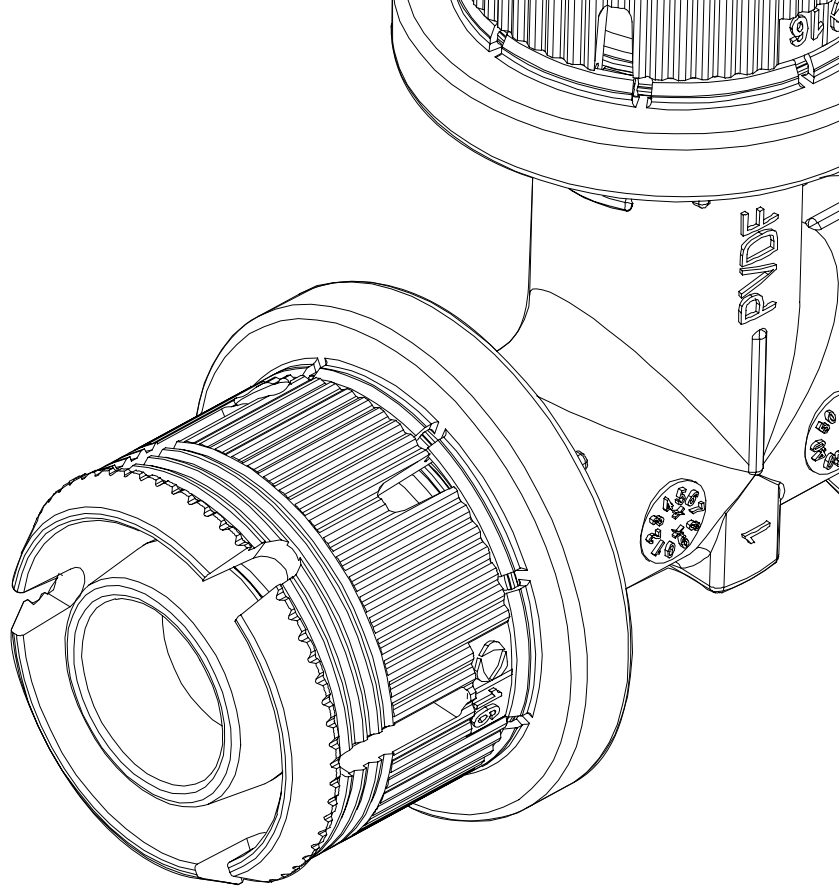
* Also compatible with RAUTOOL ALight, A2, A3, E2, E3, A3



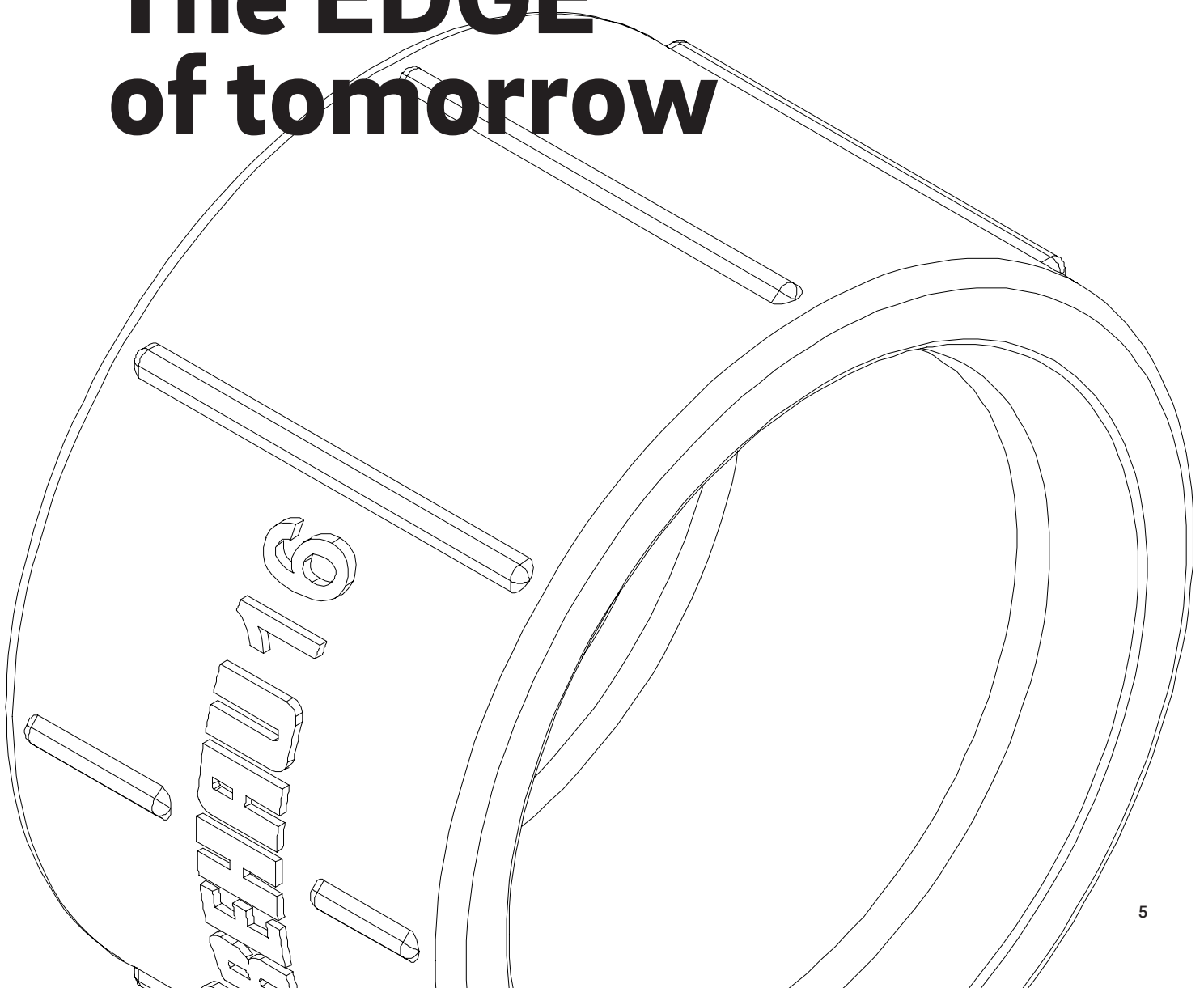
RAUTOOL Cutters

| REECE code | Size |
|------------|--|
| 1450350 | Stabil Cutter 16-20 |
| 1450273 | Cutter 16-25 |
| 1450284 | Cutter 16 - 40 |
| 1451011 | Spare blade for Stabil cutter 6-20 (1450350) |
| 1451012 | Spare blade for cutter 16-40 (1450284) |





The EDGE of tomorrow



SCAN ME



<http://qr.rehau.com/d3c5181a9a>

REHAU Pty Ltd

National Customer Service Centre

Australia

Tel: 1300 768 033 • Fax: 1300 760 665

Email: sales.au@rehau.com

www.rehau.com.au

New Zealand

Tel: +64 9 272 2264

Email: sales.nz@rehau.com

www.rehau.co.nz



The information contained herein is believed to be reliable, but no representations, guarantees or warranties of any kind are made as to its accuracy, suitability for particular applications or the results to be obtained therefrom. Before using, the user will determine suitability of the information for user's intended use and shall assume all risk and liability in connection therewith.