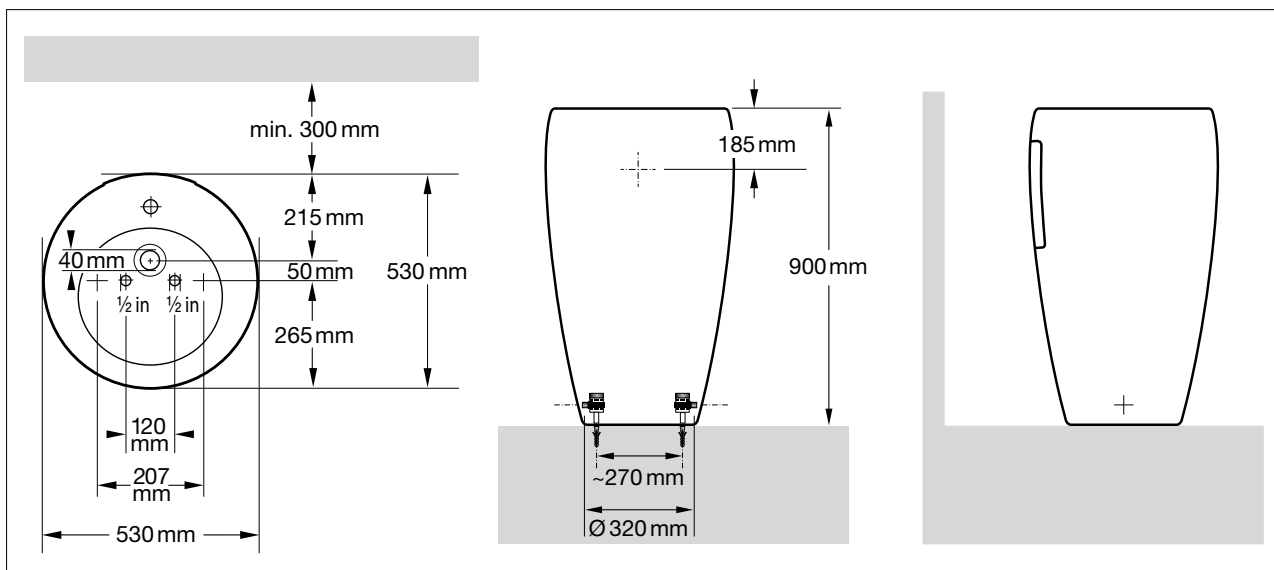
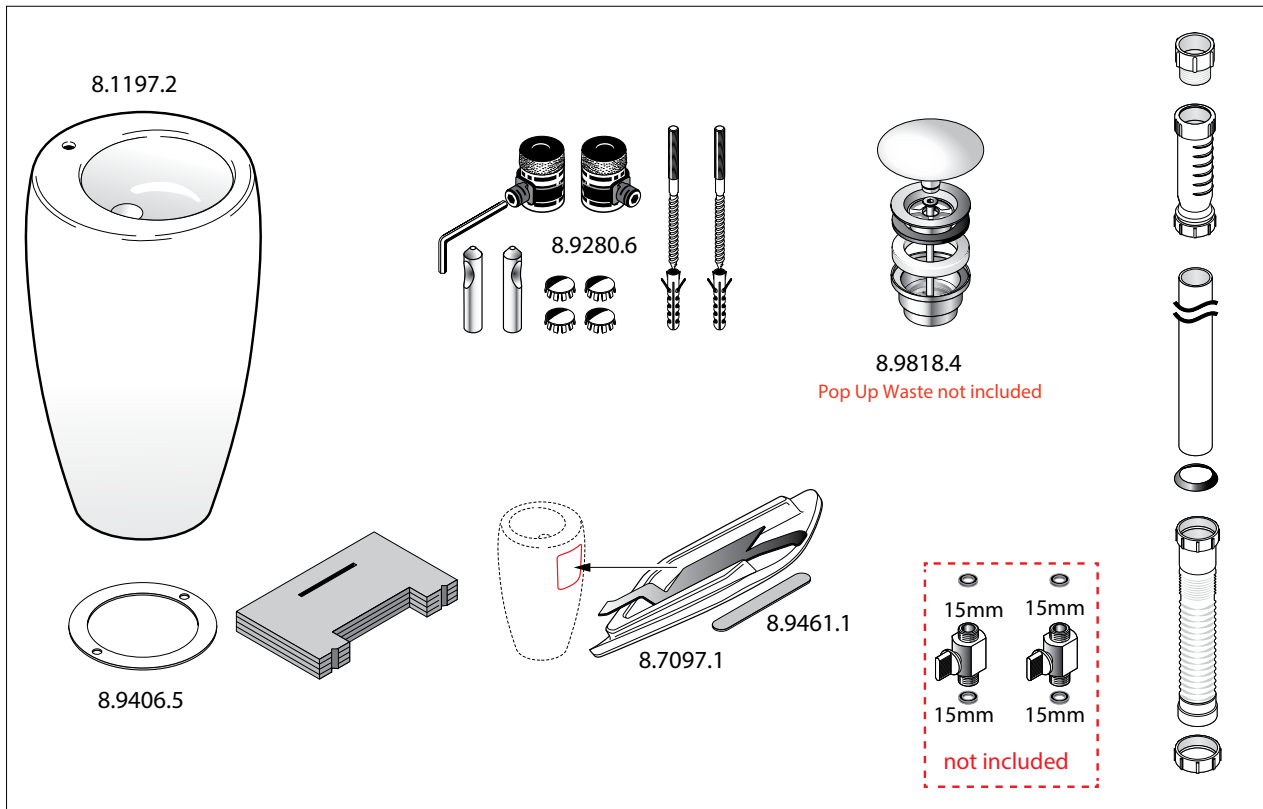


# LAUFEN ILBAGNOALESSI One FREESTANDING BASIN 530

## SPARE PARTS



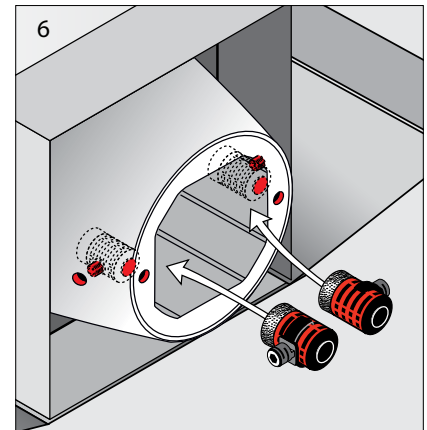
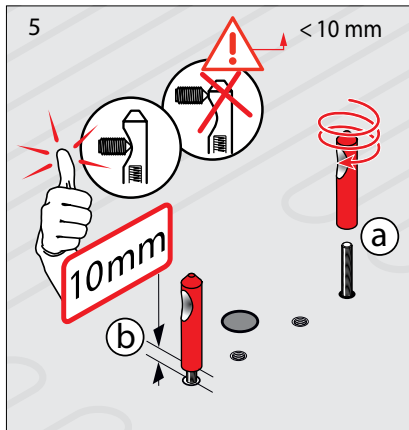
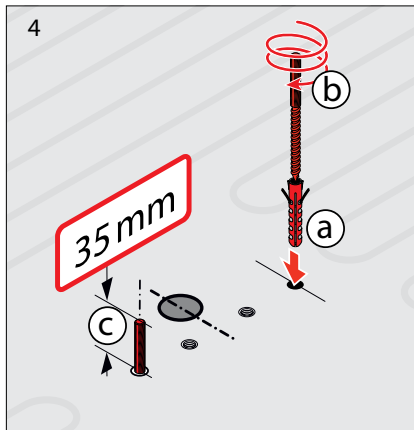
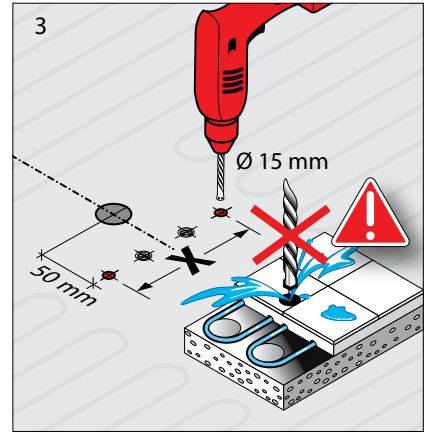
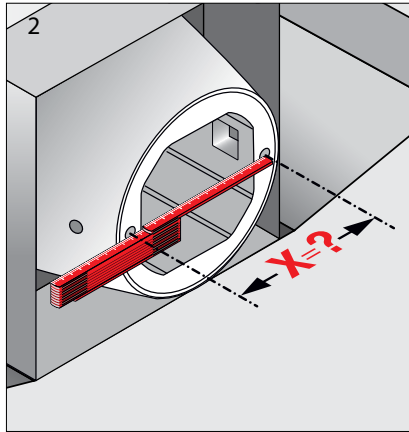
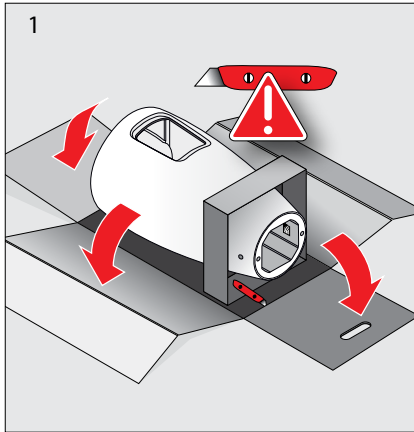
Plumbers, please ensure a copy of the installation instructions is left with the end user for future reference

# LAUFEN ILBAGNOALESSI One FREESTANDING BASIN 530

## INSTALLATION INSTRUCTIONS

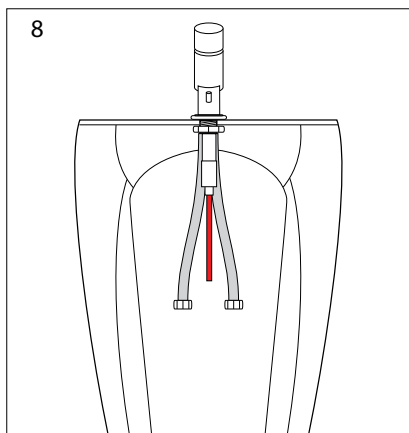
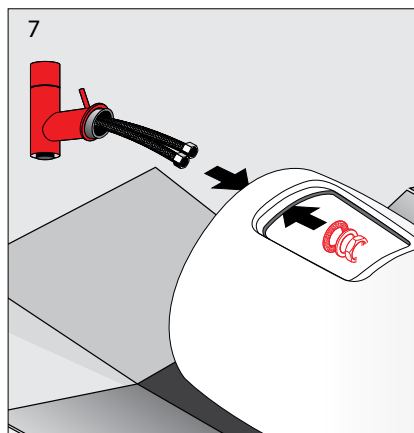


### Assembly procedure



### Fastening material

### For 1 Tap Hole version



### Note:

For no taphole version where wall mount tapware is used, consideration to be made to height positions and length of outlet.

# LAUFEN

## ILBAGNOLESSI One

### FREESTANDING BASIN 530

Please note: modified waste set up to suit Australian plumbing requirements



Fig. 1: Basin with waterless trap (provided) connection to 40mm trap adaptor (provided) through access cavity.



Fig. 3: Access under basin showing connection of flexible waste hose (provided) to 40mm PVC DWV in floor



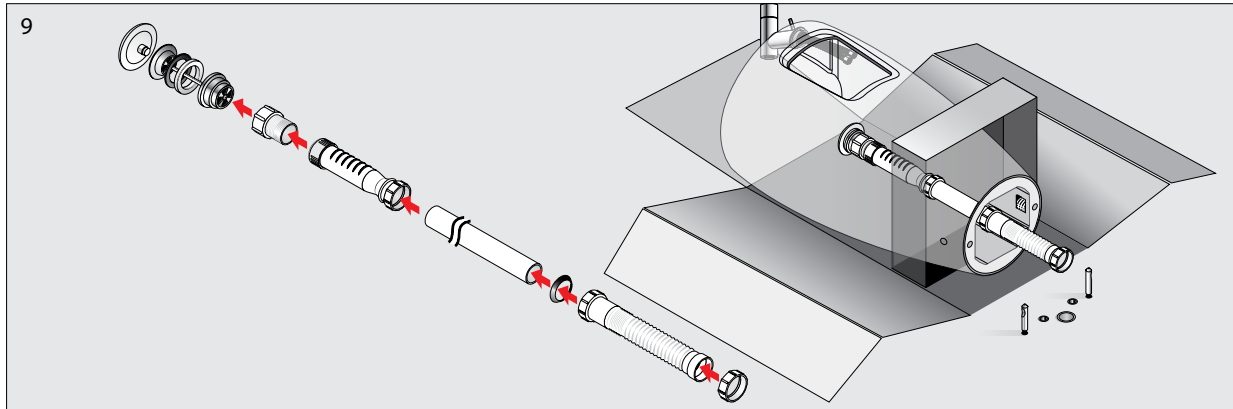
Fig. 2: Parts required between waterless trap and 40mm PVC DWV in floor.

# LAUFEN ILBAGNOALESSI One FREESTANDING BASIN 530

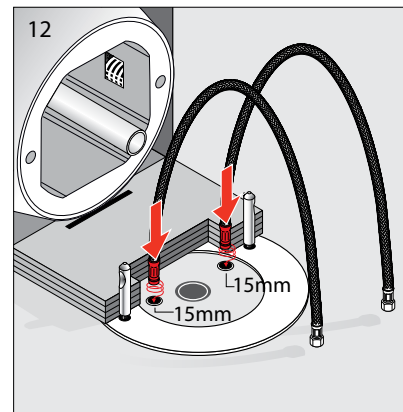
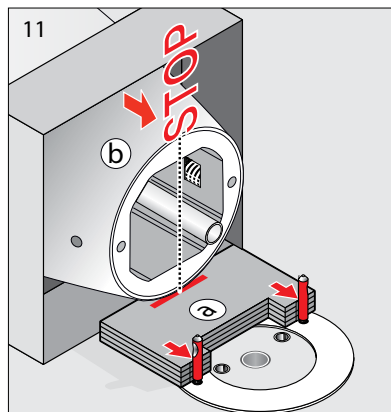
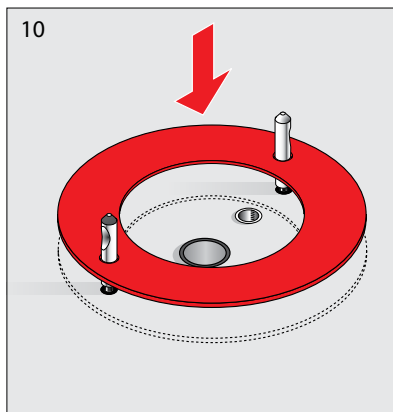
## INSTALLATION INSTRUCTIONS



### Assembly procedure

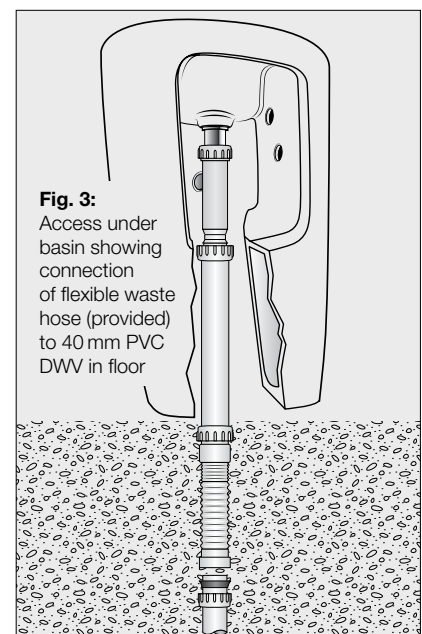
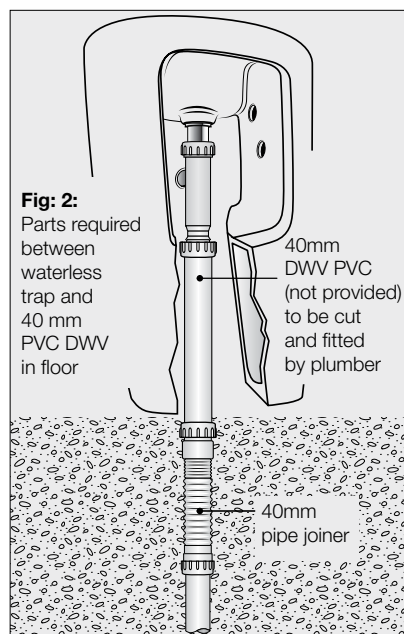


Use components as required by local plumbing regulator



## LAUFEN IL BAGNO ALESSI ONE FREESTANDING BASIN 530

Please note:  
modified waste set up  
to suit Australian  
plumbing requirements

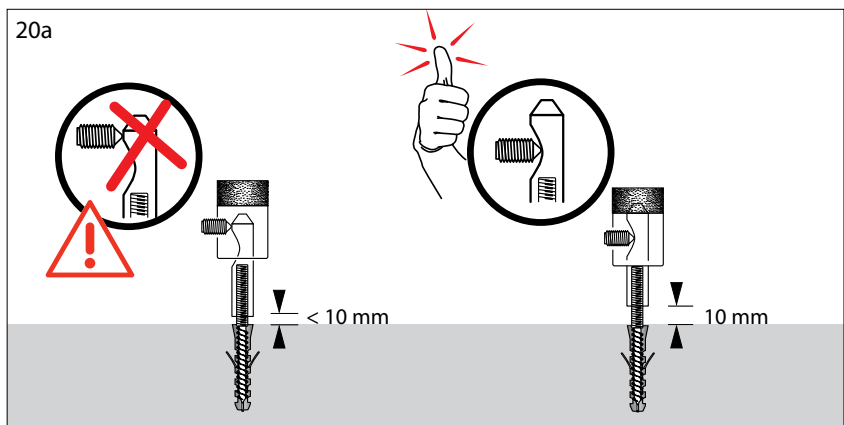
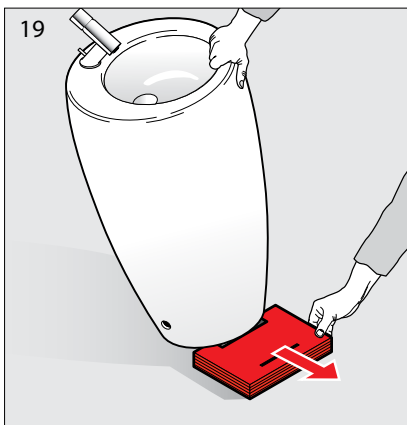
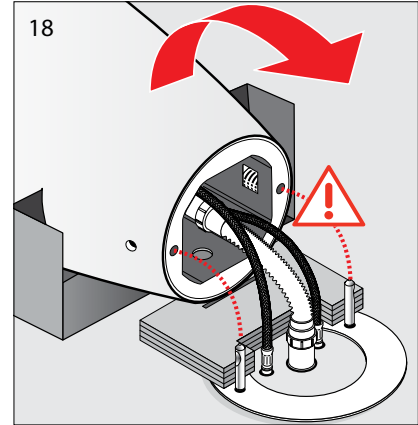
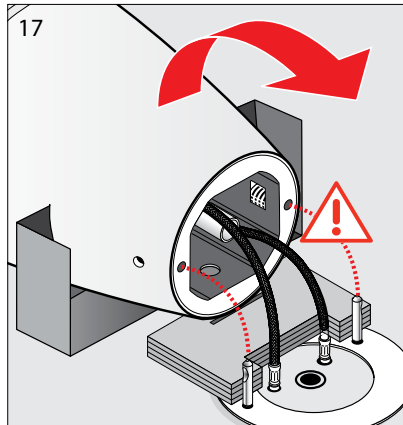
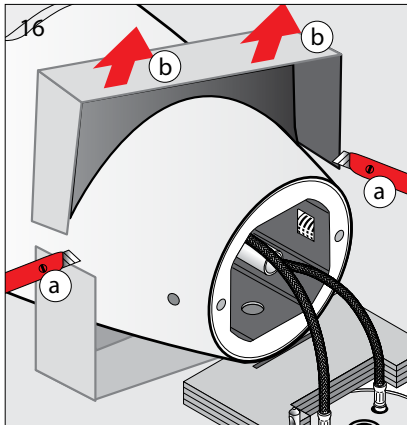
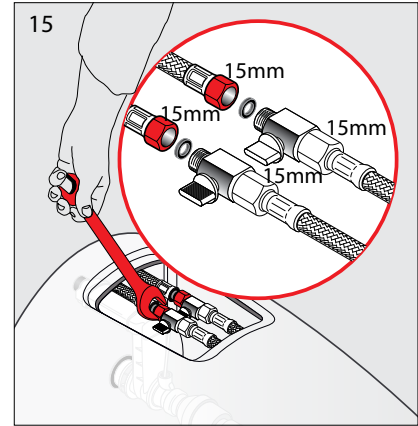
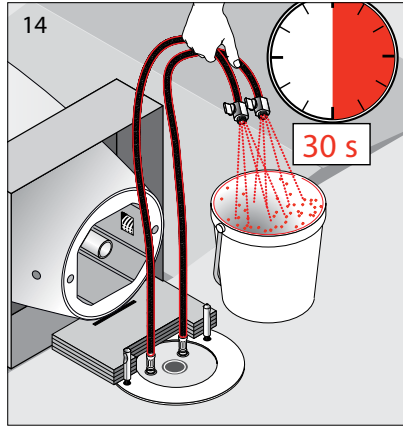
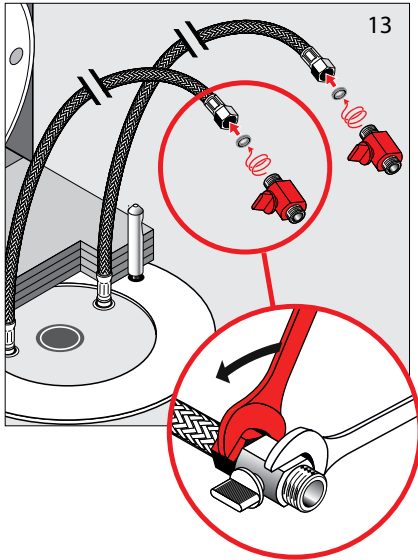


# LAUFEN ILBAGNOLESSI One FREESTANDING BASIN 530

## INSTALLATION INSTRUCTIONS



### Assembly procedure

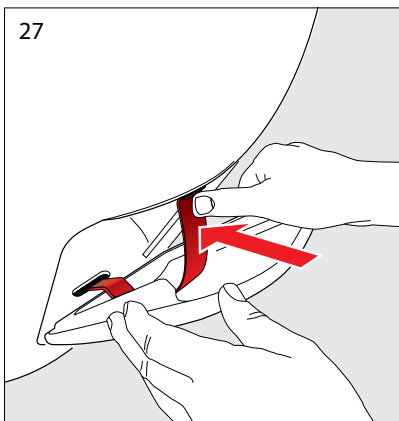
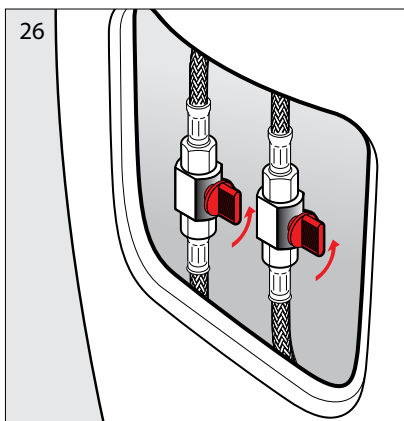
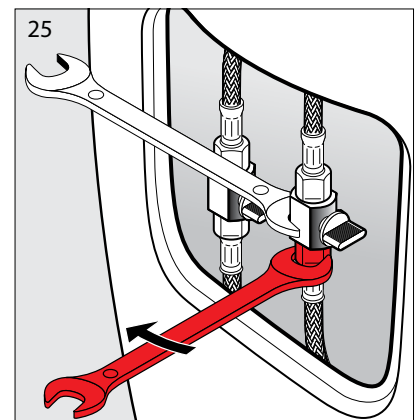
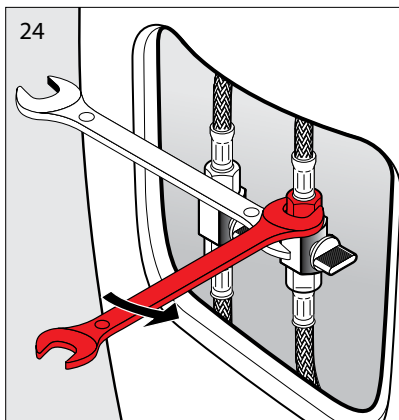
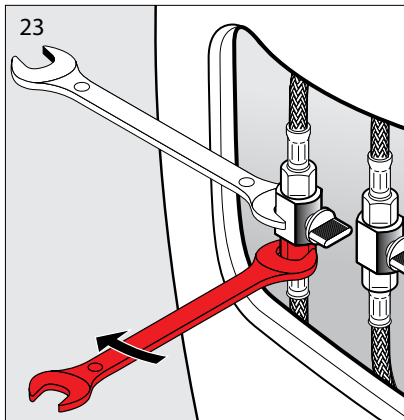
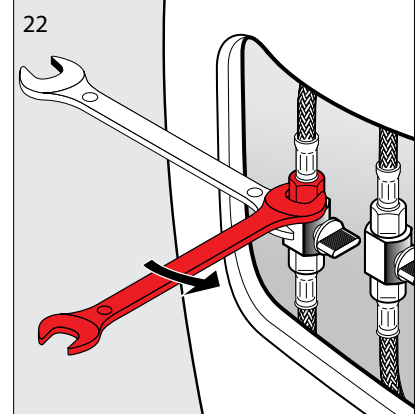
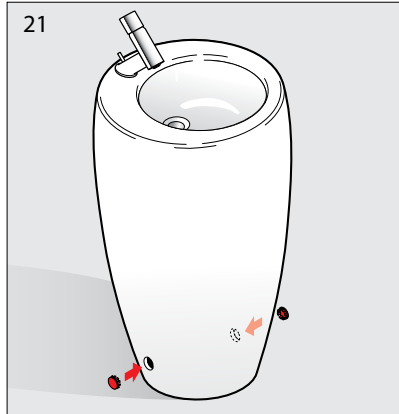
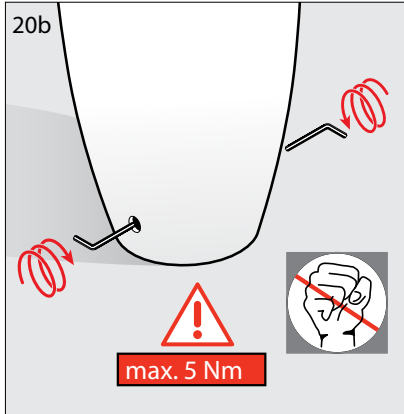


# LAUFEN ILBAGNOLESSI One FREESTANDING BASIN 530

## INSTALLATION INSTRUCTIONS



### Assembly procedure



# LAUFEN

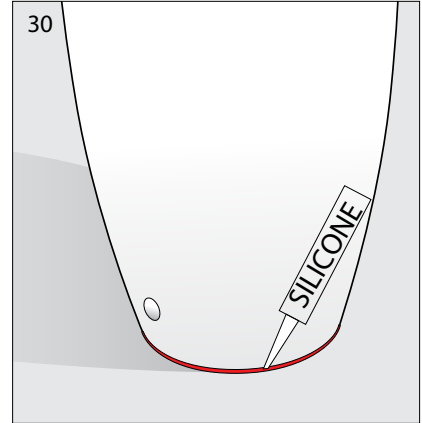
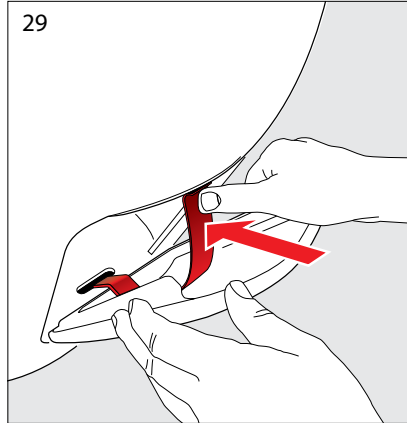
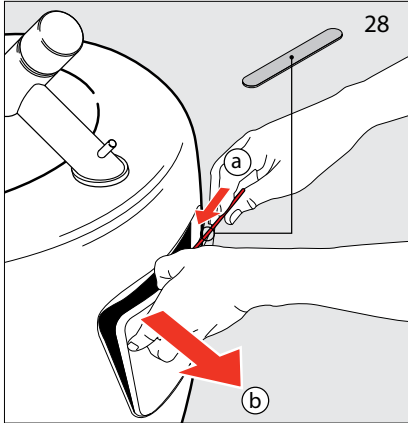
## ILBAGNOALESSI One

### FREESTANDING BASIN 530

#### INSTALLATION INSTRUCTIONS



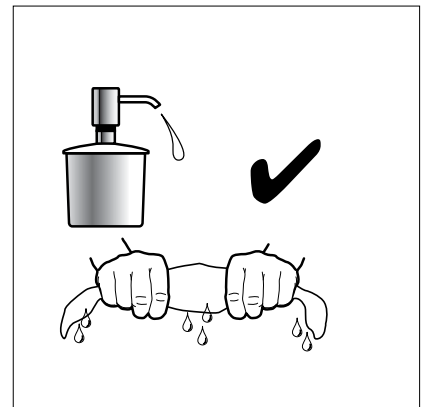
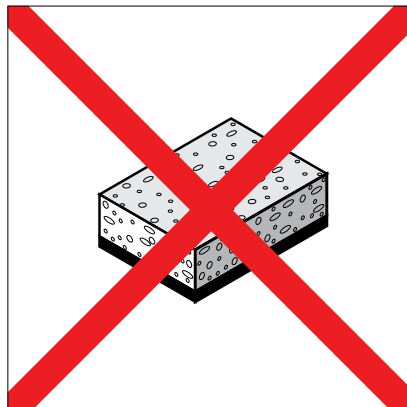
#### Assembly procedure



Stripping down



#### Maintenance instructions



The surface is simple to clean and care for. The smooth surface hardly accumulates any dirt. Use soft cloth, soapy solution and water for regular care. Wipe with a dry cloth. Avoid the use of abrasives or solvents, which damage the surface. Damage caused by inappropriate treatment by the user, is not covered by our guarantee.