

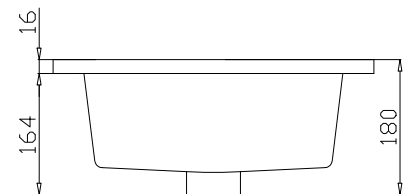
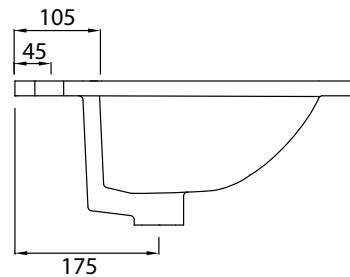
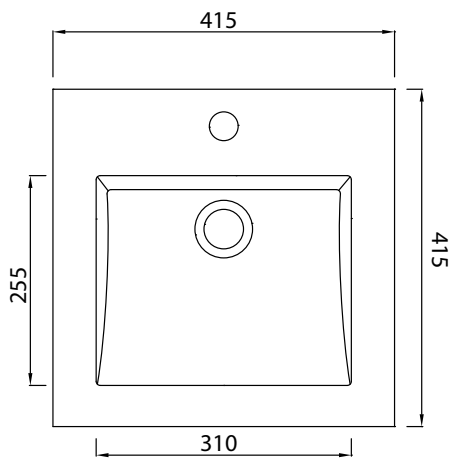
KADO

Kado Lux 415 Vanity Basin

SPECIFICATIONS	
Recommended Use	Residential;Commercial
Material	Vitreous China
Colour	White
Weight	9.8kg
Capacity	4.8 Litre
Taphole Availability	1 Taphole
Integral Overflow	Yes
Plug and Waste	32 x 40mm with Overflow
Fixing	Self rimming for drop in installation
Additional Information	Template supplied with product
WARRANTY	
Residential & Commercial Use (Years)	25
Spare Parts & Labour (Years)	1
<i>Please refer to Kado Warranty Page for full Terms and Conditions</i>	



9502324



CLEANING RECOMMENDATIONS:

We recommend the use of soapy water or approved cleaners.
 This product should not be cleaned with abrasive materials.
 Damage caused by any improper treatment is not covered by the product warranty.
 Refer to Warranty Conditions.

Dimensions are nominal measurements only.

Disclaimer: Products in this specification manual must by regulation be installed by licensed and registered trade people. The manufacturer/distributor reserves the right to vary specifications or delete models from their range without prior notification. Dimensions are nominal measurements only. Dimensions and set-outs listed are correct at time of publication however the manufacturer/distributor takes no responsibility for printing errors.