

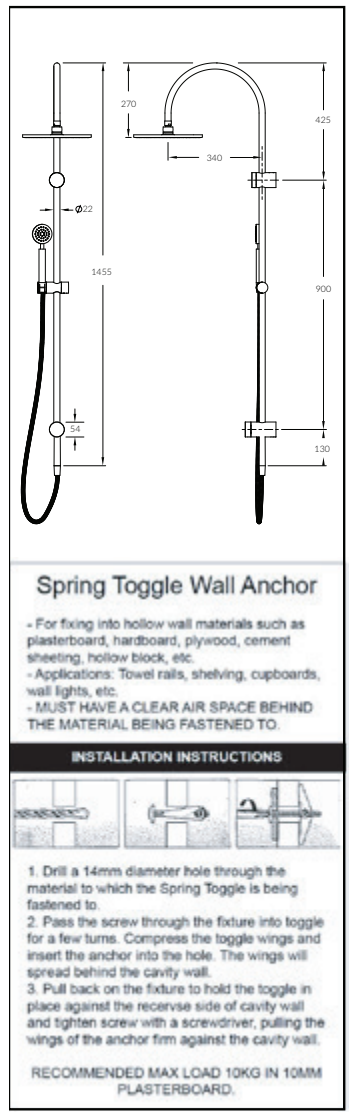
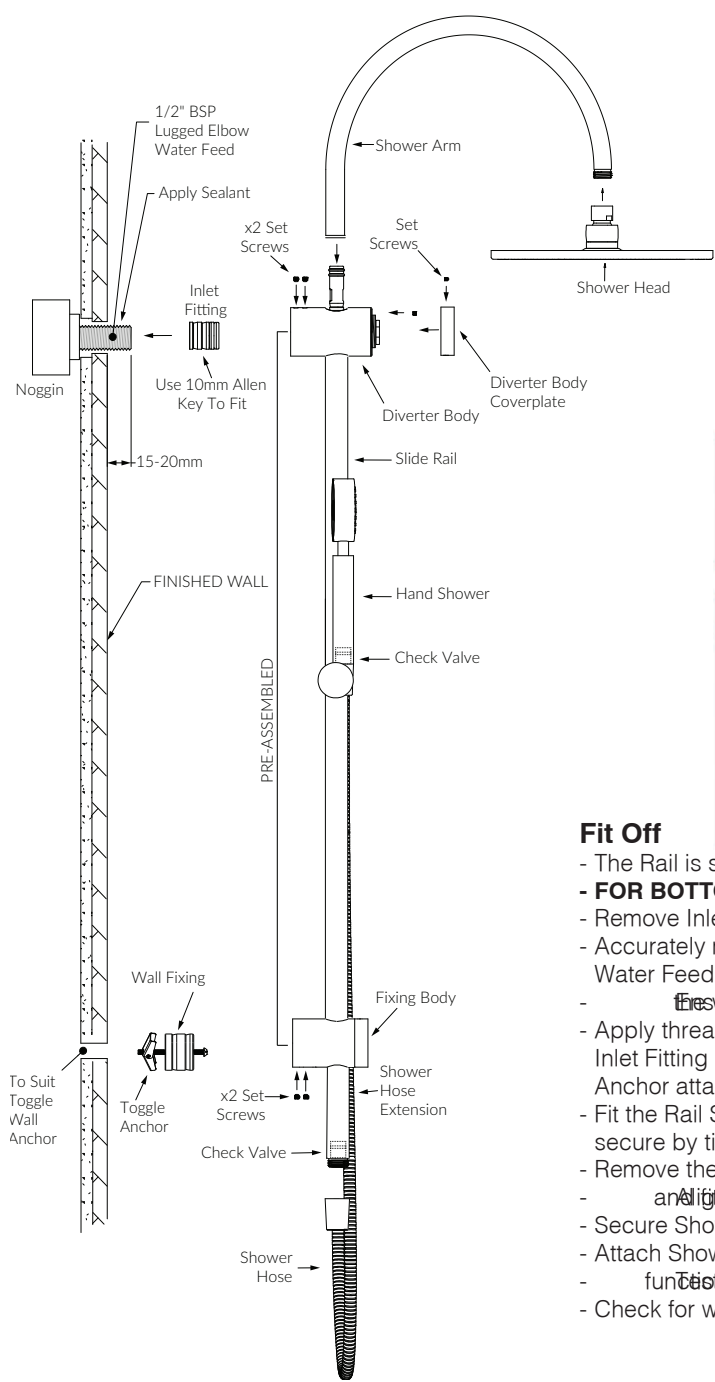
SUSSEX

Sussex Pure Twin Rail Shower 250mm Curved with Top or Bottom Rail Water Inlet (3 Star)

TOP INLET

Tapware is to be installed by a Licenced Plumber in accordance with AS/NZS 3500:2003

Recommended working water pressure 300-500kpa. Maximum water temperature is 65 deg.C.



Fit Off

- The Rail is supplied part preassembled to suit a Top Water Inlet installation.
- **FOR BOTTOM WATER INLET INSTALLATION SEE PAGE 2.**
- Remove Inlet Fitting and Wall Fixing by loosening the Set Screws.
- Accurately mark out and drill for the Wall Fixing 900mm from centre of Water Feed (see Spring Toggle Wall Anchor guide).
- The wall penetration is sealed prior to connecting any fittings.
- Apply thread tape or appropriate sealant to Water Feed Thread and attach Inlet Fitting using 10mm Allen key.- Using the provided Spring Toggle Anchor attach the Wall Fixing.
- Fit the Rail Shower as assembled onto the Wall Fixing and Inlet Fitting, secure by tightening the Set Screws.
- Remove the Diverter Body Cover Plate by loosening top Set Screw.
- Align the Shower Arm.
- Secure Shower Arm by tightening Set Screws.
- Attach Shower Head.
- Turn on water and check for water flow on both Shower Head and Hand Shower.
- Check for water leaks.

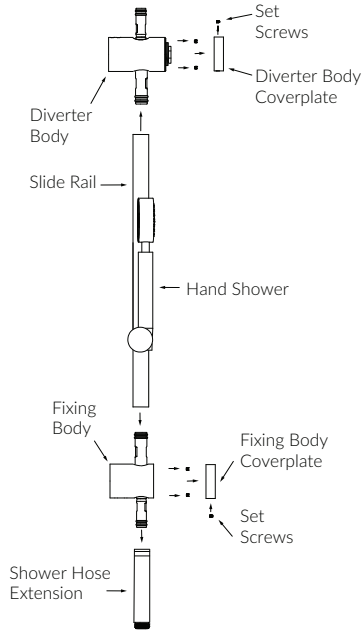
Plumbers, please ensure a copy of the Installation Instructions are left with the end user for future reference

SUSSEX

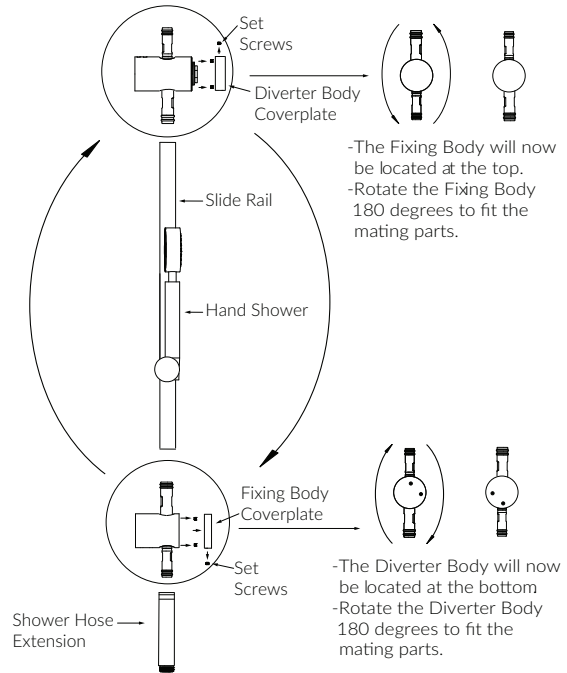
Sussex Pure Twin Rail Shower 250mm Curved with Top or Bottom Rail Water Inlet (3 Star)

BOTTOM INLET

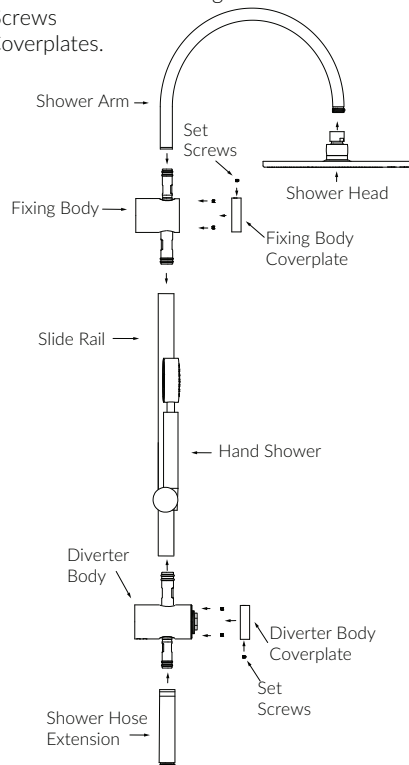
1. - Remove Diverter and Fixing Body coverplates by loosening Set Screws.
- Loosen Set Screws and detach Diverter Body and Fixing Body from slide rail.



2. - Swap the Diverter Body and Fixing Body positions.
- Diverter body will now be located at the bottom.
- Fixing body will now be located at the top.



3. - Re-attach the Fixing Body and the Diverter Body to Slide rail. Tighten Set Screws.
- Re-attach Shower Hose Extension. Tighten Set Screws.
- Attach Shower Arm and Head. Align Shower Arm and Tighten Set Screws
- Re-attach Coverplates.



4. - Proceed with installation fit off (see page 1)

