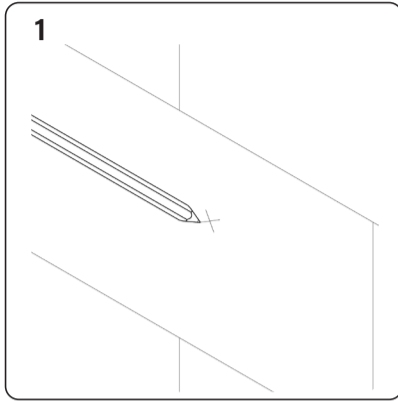


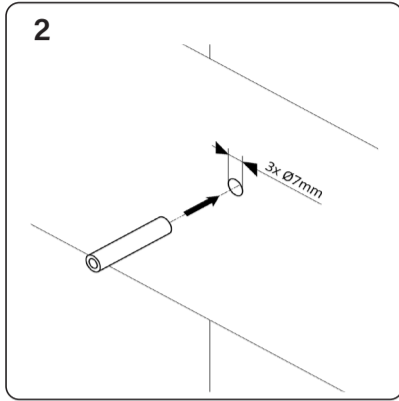


## VARA Hook



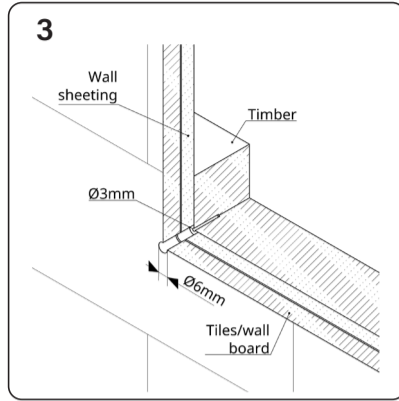
1 Mark location

Choose a suitable location for your hook and mark the centre line position with a pencil.



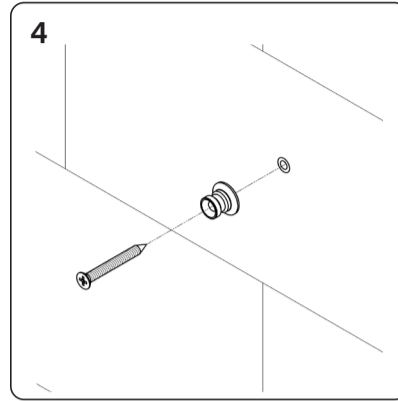
2 Masonry install

For masonry installation, drill 7mm holes where marked and insert the plastic wall plugs.



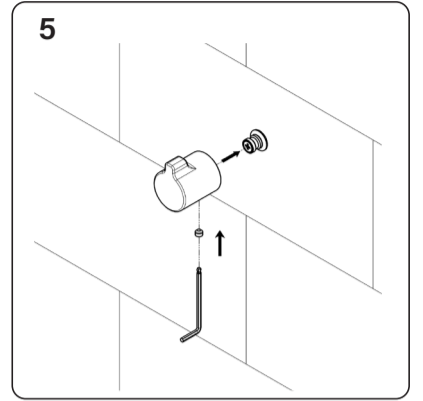
3 Timber wall install

For timber wall construction, drill a 6mm hole through the tiles/wall board only and drill a 3mm pilot hole into the timber.



4 Install mount spigot

Screw mount spigot onto wall with the supplied stainless steel screw. To reduce likelihood of the fitting rotating, a small amount of suitable glue can be applied to the back of the spigot.



5 Install product

Place the accessory into position over the spigot. Insert the grub screw into the underside of the fitting and fasten in place with the Allen key provided. If there are any issues please contact Faucet Strommen before leaving the site.

### Cleaning

Clean only with a soft microfiber or similar cloth and warm clean water. Ensure that the cloth is clean and free of any grit or chemical. Dry fitting off with a soft clean cloth. Ensure that your fitting is not subject to any chemicals, building grit or any type of abrasive or polish. For care of special finishes please visit our website.