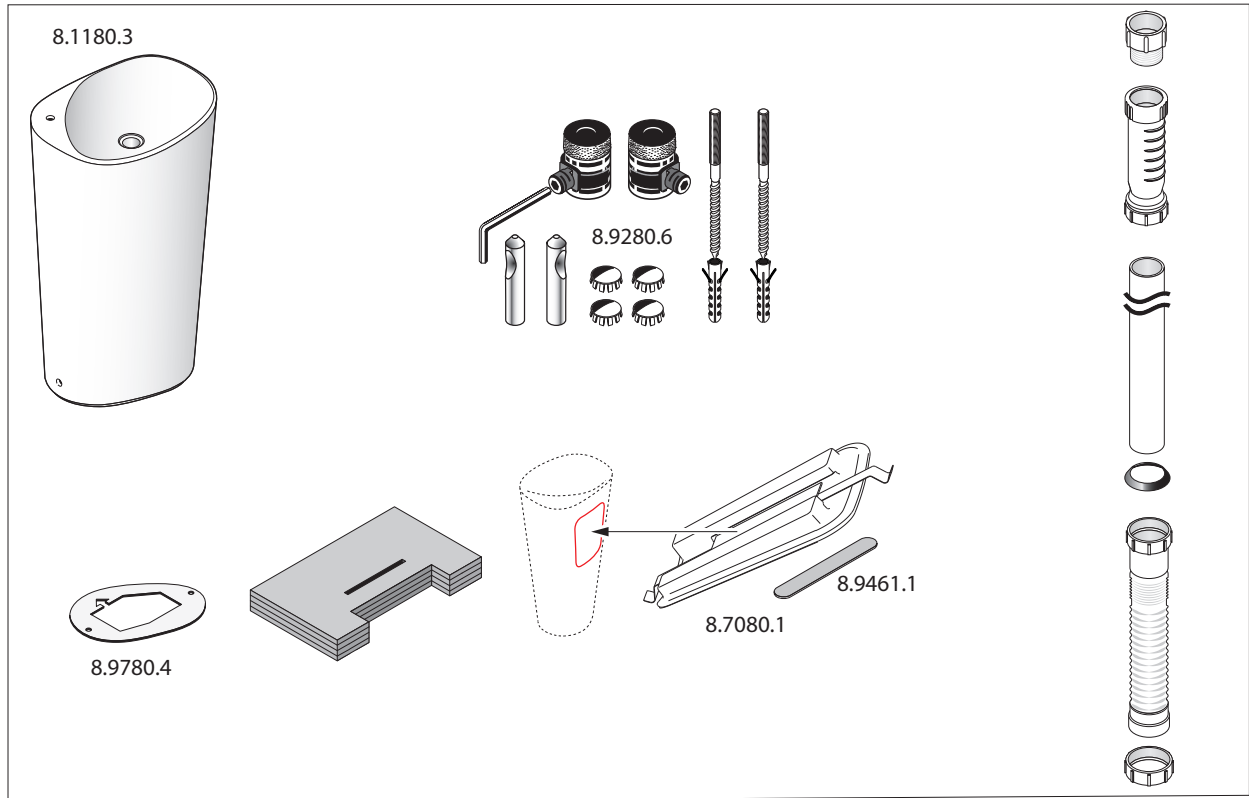
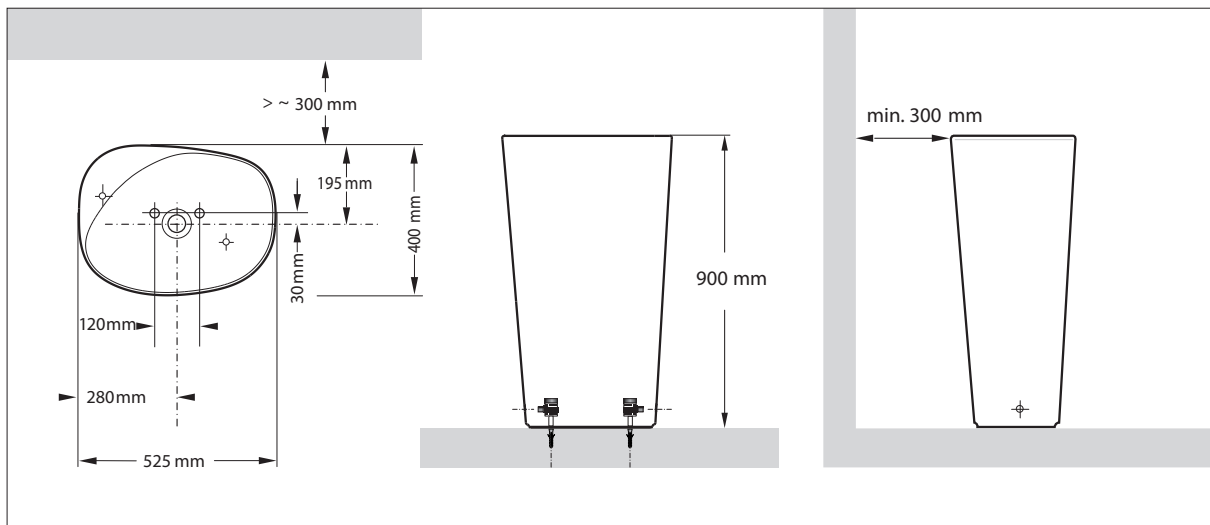


PALOMBA FLOOR STANDING BASIN

SPARE PARTS

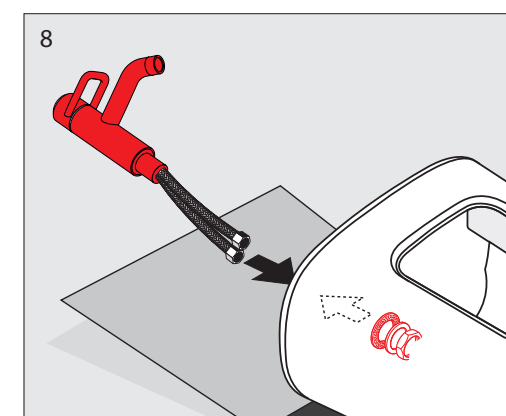
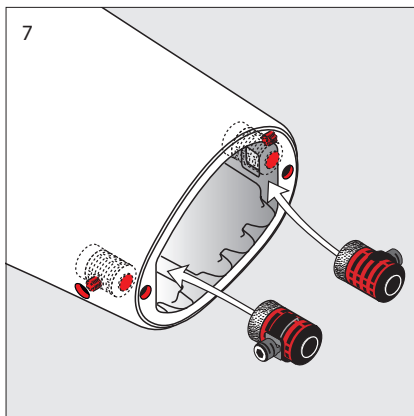
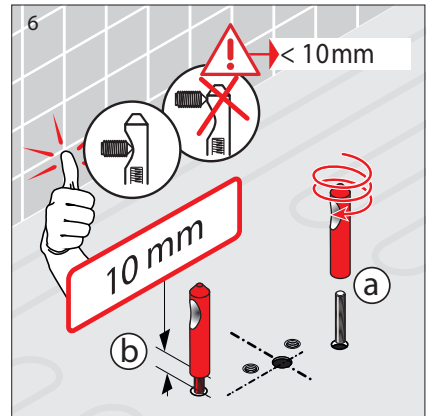
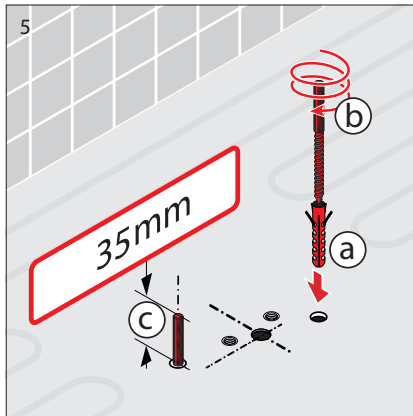
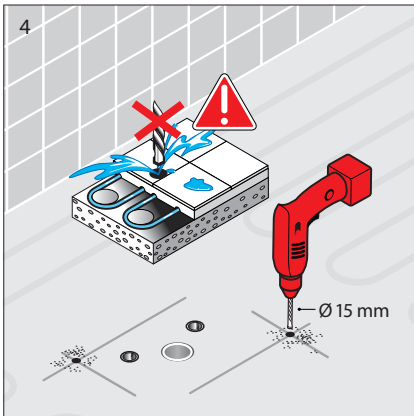
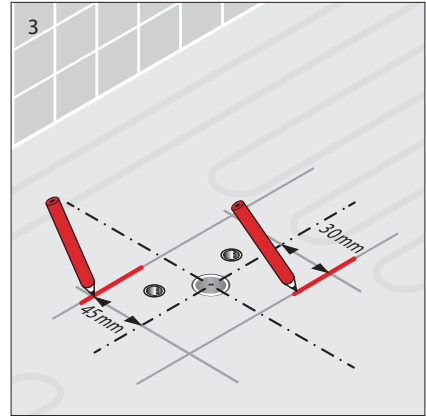
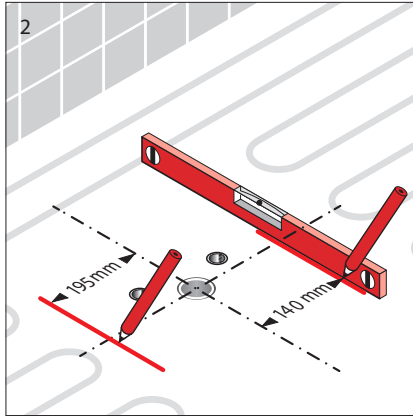
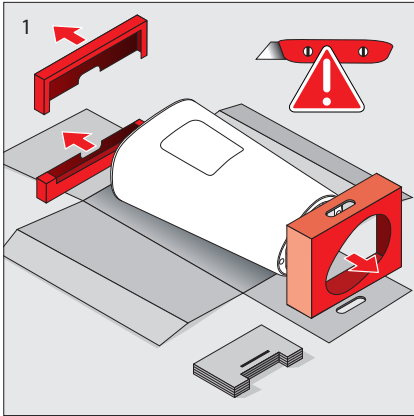


Preparation



PALOMBA FLOOR STANDING BASIN

INSTALLATION INSTRUCTIONS



PALOMBA FLOOR STANDING BASIN

Please note: modified waste set up to suit Australian plumbing requirements



Fig. 1: Basin with waterless trap (provided) connection to 40mm trap adaptor (provided) through access cavity.



Fig. 3: Access under basin showing connection of flexible waste hose (provided) to 40mm PVC DWV in floor



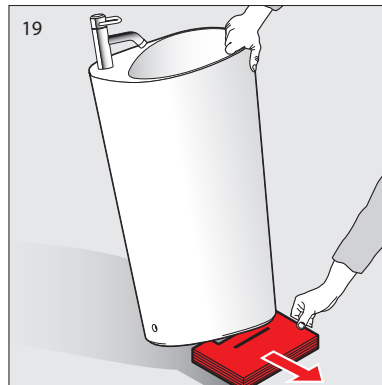
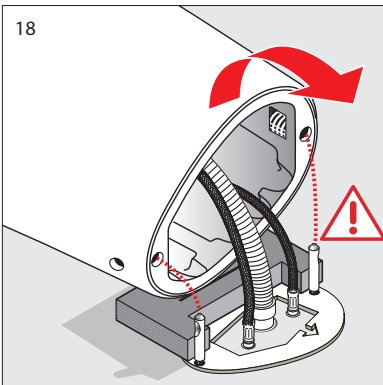
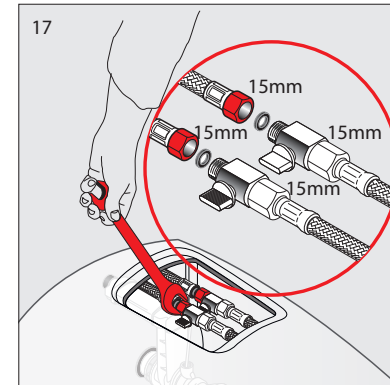
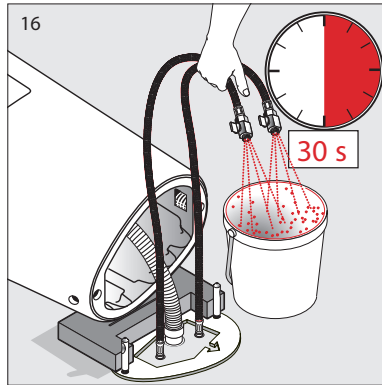
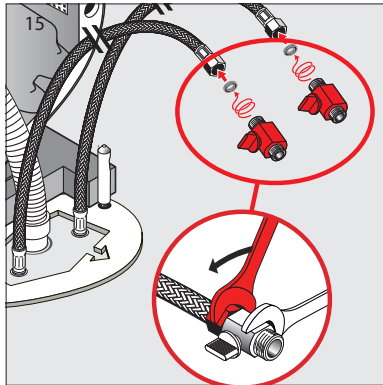
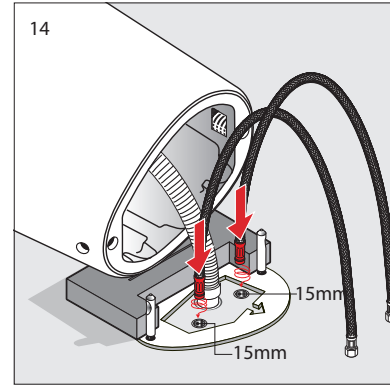
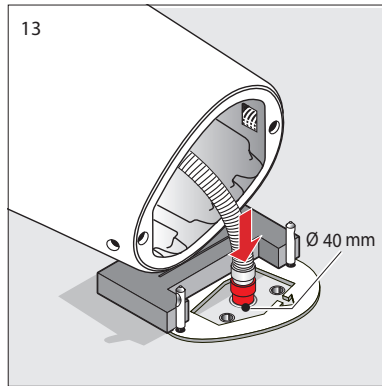
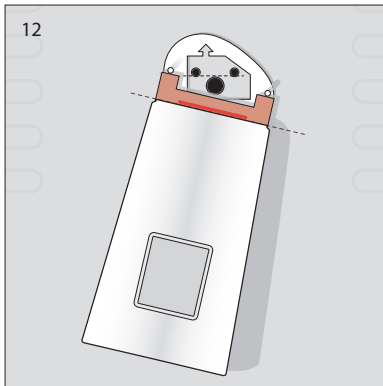
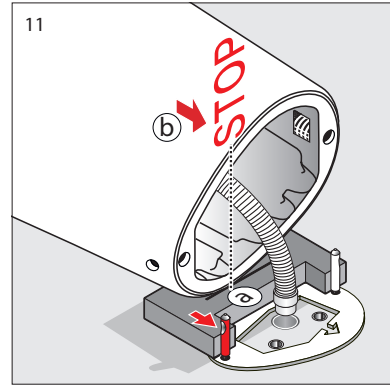
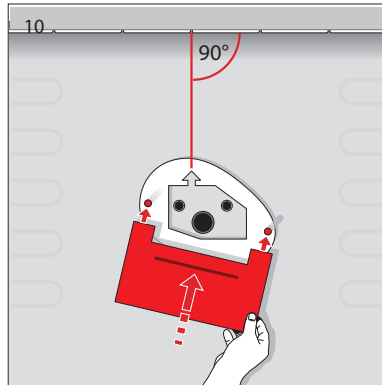
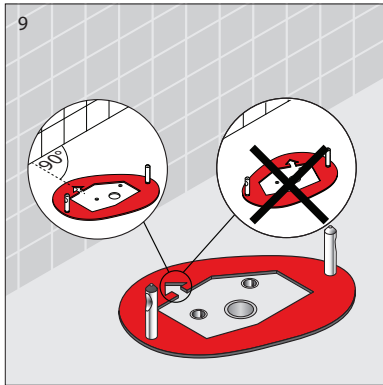
40mm DWV PVC (not provided) to be cut and fitted by plumber

40mm pipe jointer

Fig. 2: Parts required between waterless trap and 40mm PVC DWV in floor.

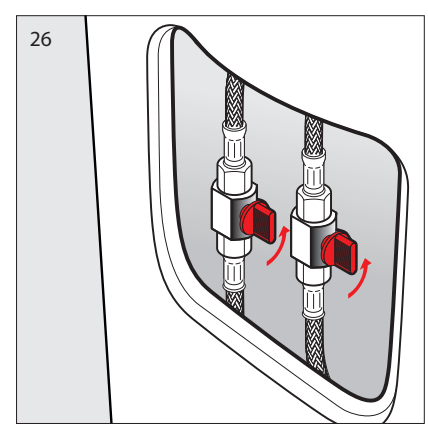
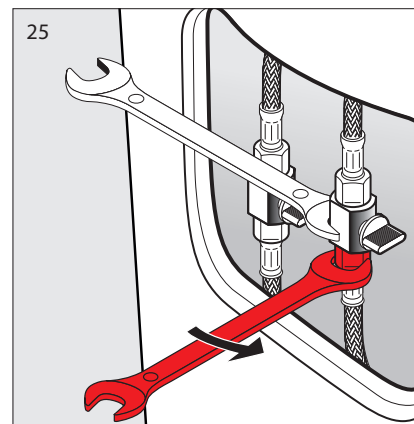
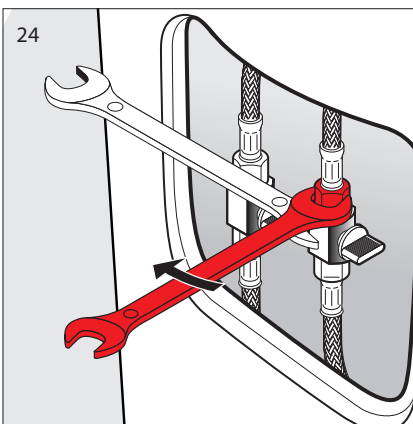
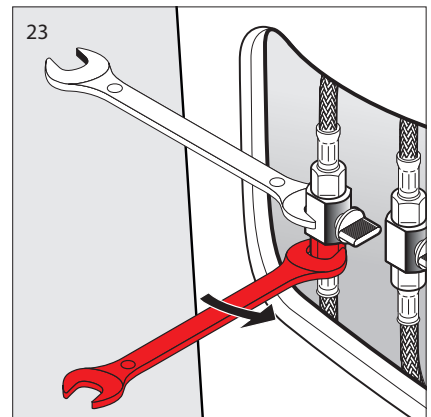
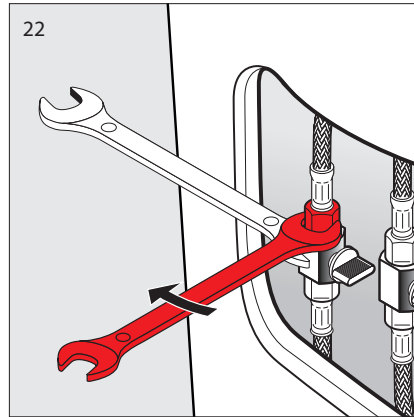
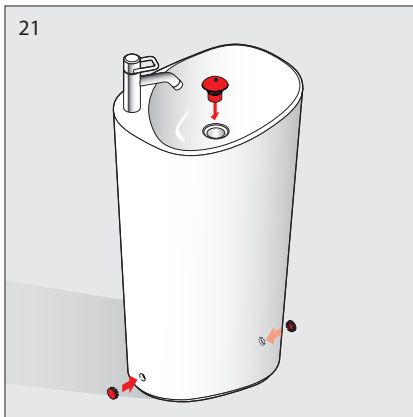
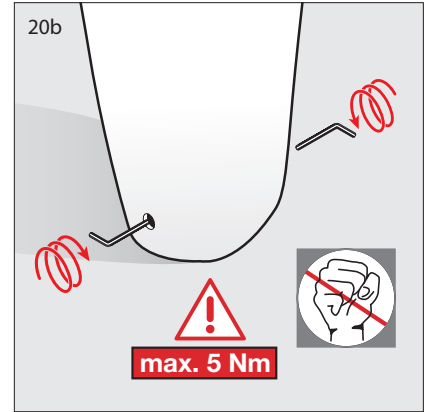
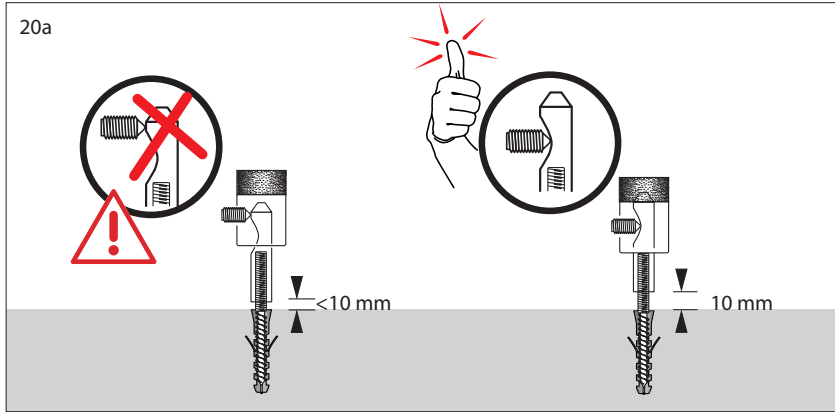
PALOMBA FLOOR STANDING BASIN

INSTALLATION INSTRUCTIONS



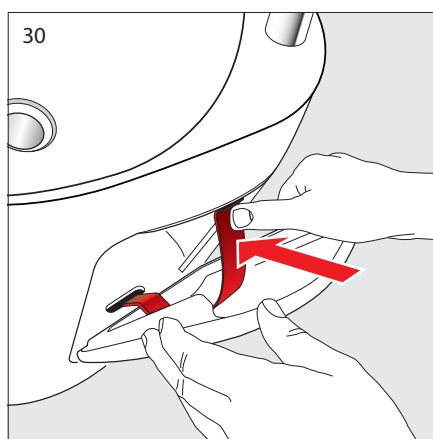
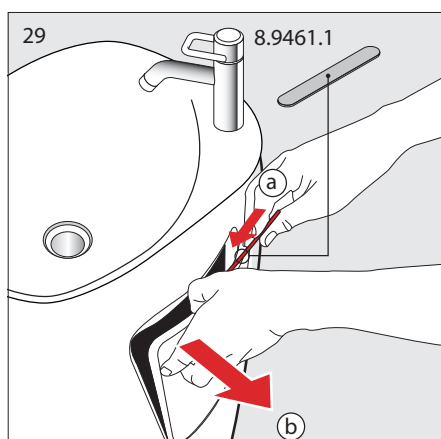
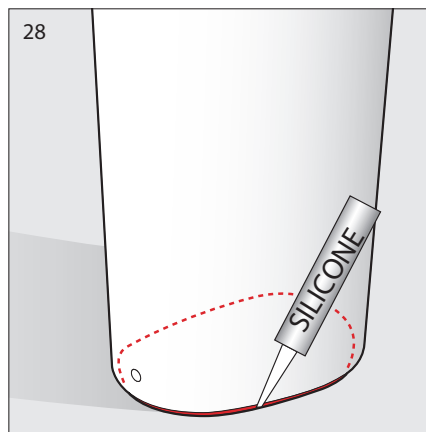
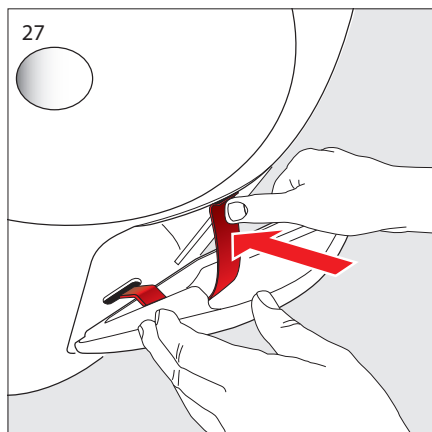
PALOMBA FLOOR STANDING BASIN

INSTALLATION INSTRUCTIONS



PALOMBA FLOOR STANDING BASIN

INSTALLATION INSTRUCTIONS



MAINTENANCE

