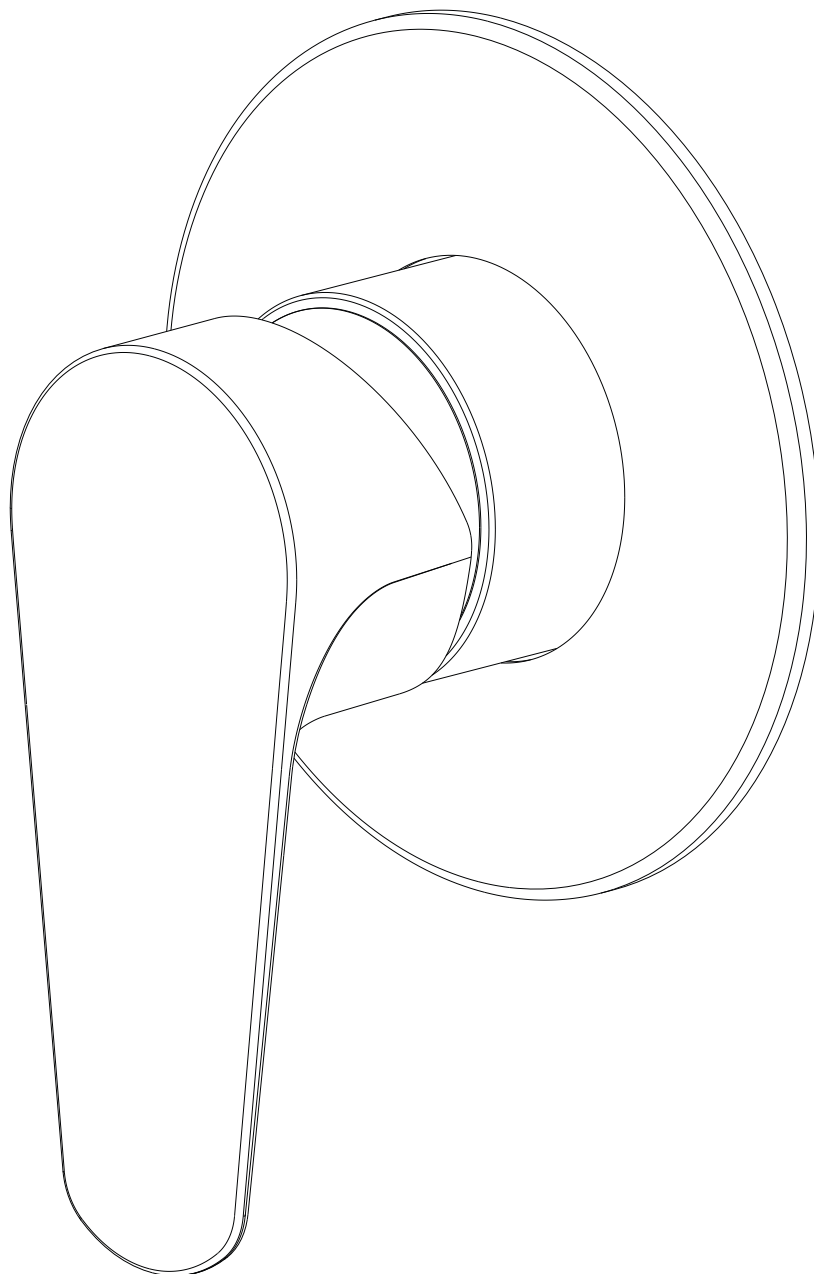


posh

Solus Shower Mixer



Installation Instructions

Important



Mixer must be installed to the requirements of AS/NZS 3500 by a qualified plumber. The mixers are factory tested and sealed so as to give the best performance.

posh

Solus Shower Mixer

Installation

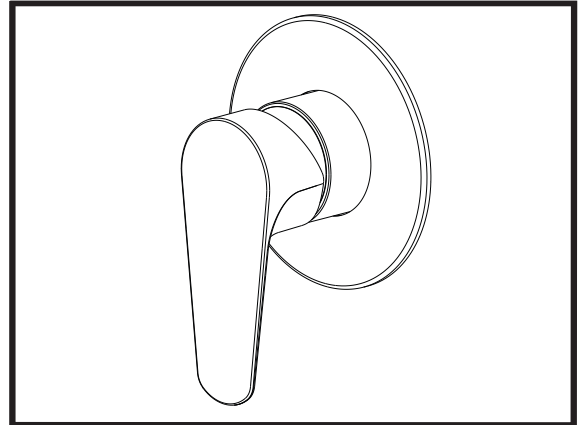


Important Flush out new pipe work prior to connecting the new mixer.



Important During installation protect the exposed finish surface by using the plastic cover provided. Please pay attention to the minimum/maximum depth.

Note: This tap is suitable for high pressure applications where both hot and cold water supply pressures are at 150kpa or above.



Important Waterproofing and sealant materials are used to seal against moisture or water penetration to ensure integrity of the wall sheet lining structure. It must not interfere with the removal of the protective cover and installation of the mixer trim components. The installing plumber is responsible for waterproofing the shower mixer penetration AS 3740 - Waterproofing of Domestic Wet Areas.



Important Waterproofing / sealant materials must be clear of the Protective Cover and the surface it protects to allow for removal of the protective cover and mixer trim set for fit off.

Note: In typical installation, the mixer is mounted onto timber/metal noggins and secured with screws.

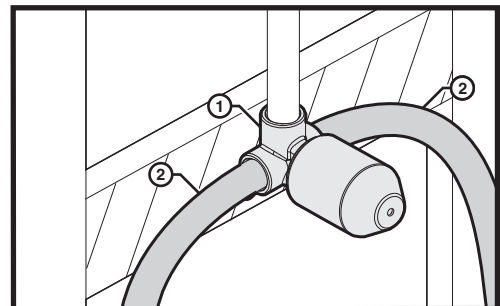
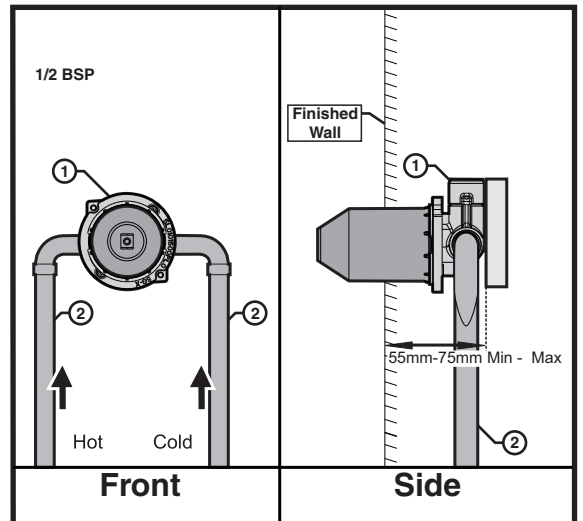
- Screw body (1) in place, connect water supplies (2).

Note: Pressure check all connections in accordance to AS/NZS 3500.



Important Leaking joints are not covered by the warranty.

Note: Ensure Mixer body is level both vertically and horizontally.



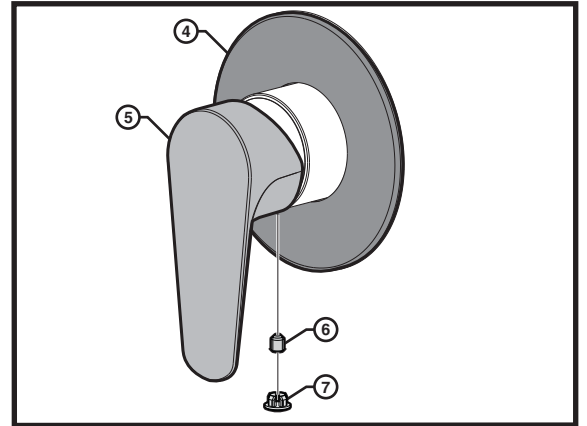
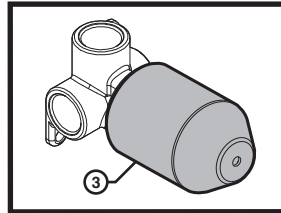
posh

Solus Shower Mixer

Fit off Trim Kit

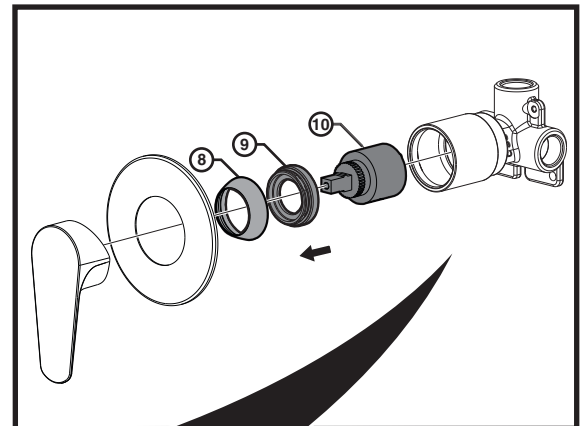
Fit off Trim Kit

- When the wall is finished (eg. tiled), remove the Protective Covers (3).
- Fit Cover plate (4).
- Fit off Handle (5) and secure in place using allen key to tighten Grub Screw (6).
- Push in Decorative Cover (7).

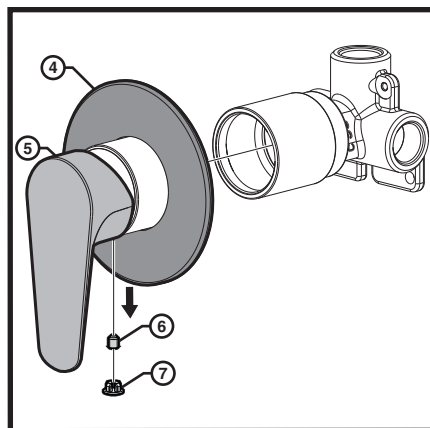


Servicing - Replacement of Cartridge

- Remove Decorative Cover (7) and unscrew the Grub Screw (6) using an allen key.
- Lift off the Handle (5) and remove the Cartridge Dome (8), unscrew the brass Locking Nut (9) and lift out the Cartridge (10).
- Replace the Cartridge (10), replace the Locking Nut (9), replace the Cartridge Dome (8) and replace the Handle (5).
- Tighten Grub Screw (6) and push in Decorative Cover (7).


Important

Check for water leaks after installation



Care Details

We recommend the use of soapy water or approved cleaners. This product should not be cleaned with abrasive materials. Damage caused by any improper treatment is not covered by the product warranty. Refer to Warranty Conditions

Plumbers, please ensure a copy of the installation instruction is left with the end user for future reference.