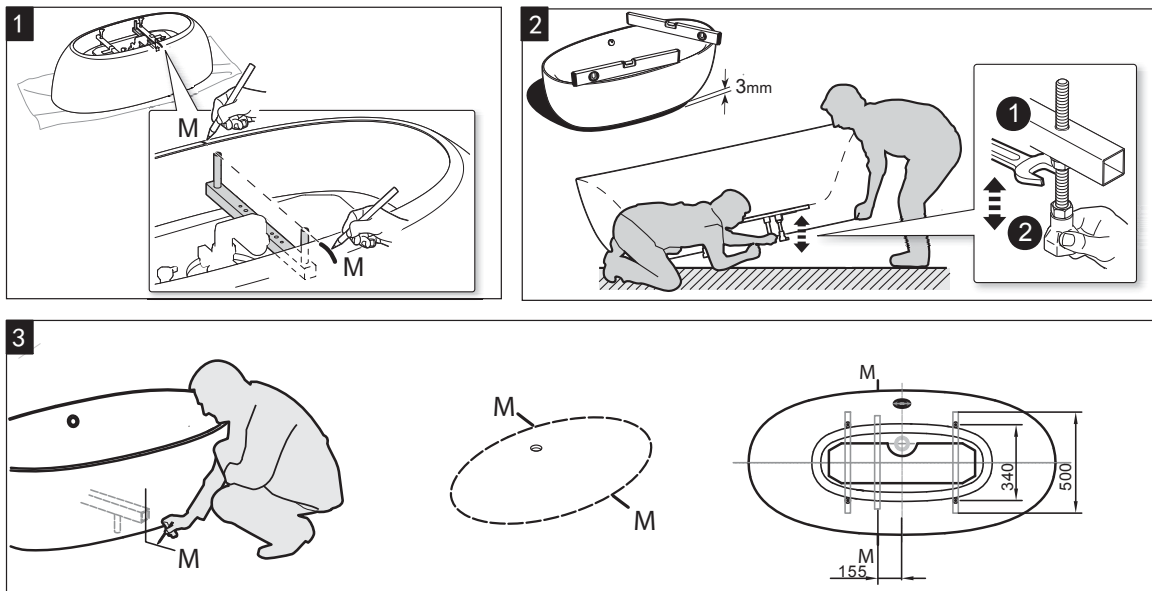
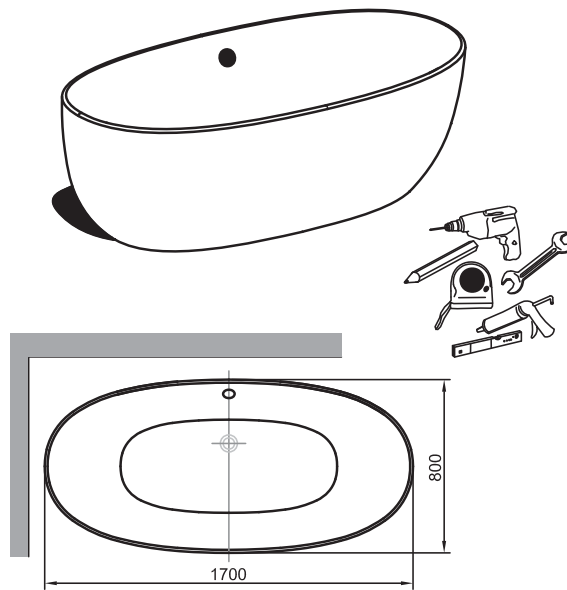


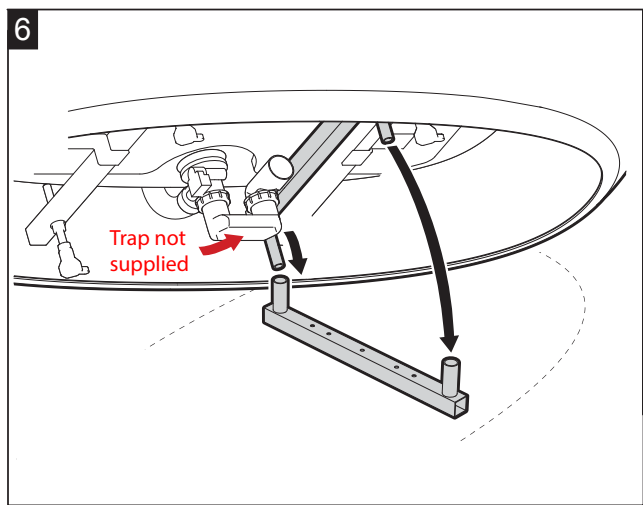
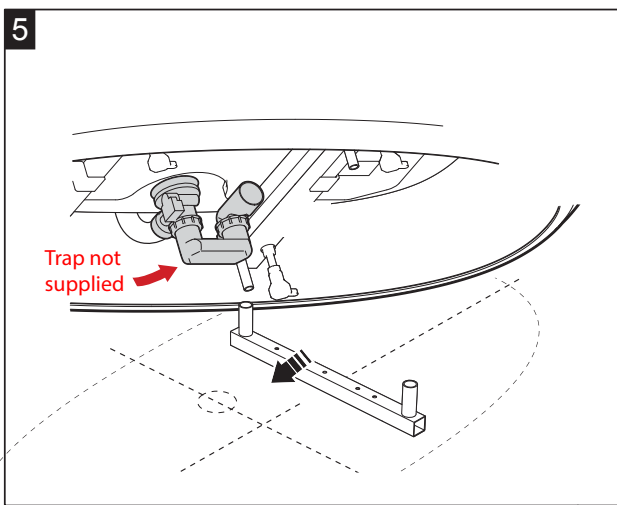
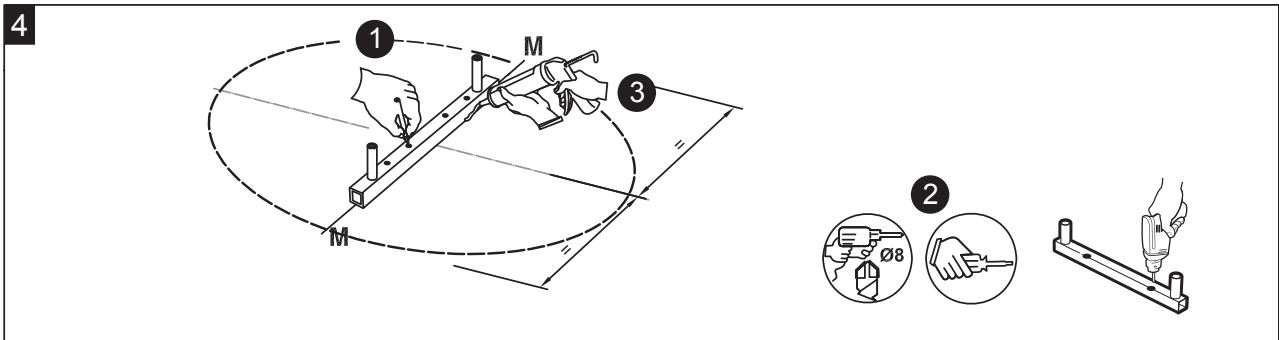
VIRGINIA FREESTANDING BATH

INSTALLATION

Note: Please check surface thoroughly before installing. Installation of the bath will be taken as full acceptance of the product. Also, it is important to install the product in accordance with the installation instructions below



VIRGINIA FREESTANDING BATH



Where there is no access to connect the waste from underneath (i.e. slab floor), the use of an adjustable 40/50mm key bath connector into a combined floor waste is recommended.