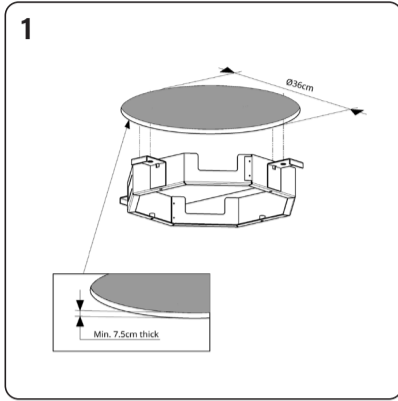




VARA Ceiling Shower

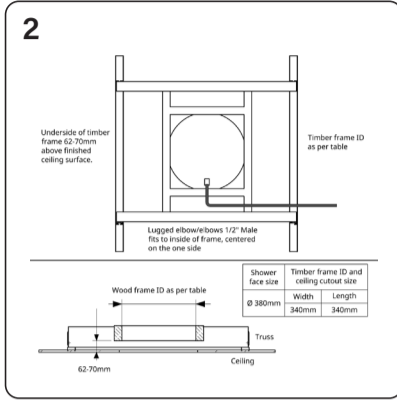
Rough-in

Note: This VARA rough-in kit has been specifically designed for installing in ceilings. The Rough in kit does not contain any decorative components as these are all in the fit off kit.



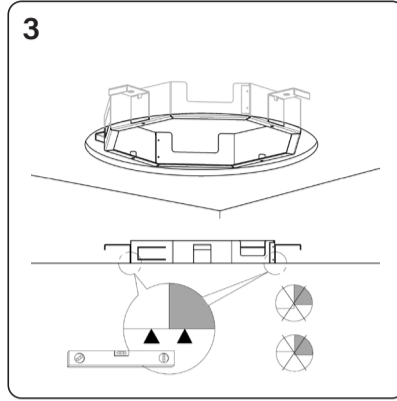
1 Cut opening in ceiling

Cut a 36cm perfectly circular hole in the ceiling. The opening must be clear of obstructions at least 7.5cm above the finished ceiling space as shown.



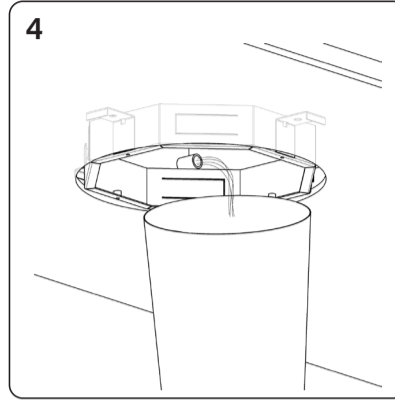
2 Create mounting frame

Create a timber frame to the dimensions below, centred above the ceiling opening. This can be built from 35mm x 70mm stud timber or similar. Construct frame such that the underside of the frame is 62-70mm above the finished underside of the Ceiling. Make sure the frame is square and flat. Install and plumb in a 1/2 inch lugged elbow to the centre of one of the frame sides.



3 Insert the RIK into the ceiling

Insert the rough-in kit frame into the ceiling and up against the timber frame. Using the four external metal brackets, fix the frame securely to the underside of the timber frame, using 4 suitable screws and washers. Ensure it is aligned centrally above the ceiling hole, and not forced out of square. The bottom of the frame must not protrude below the surrounding ceiling surface.

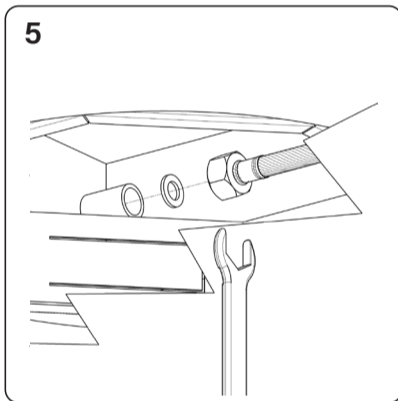


4 Flush systems & check the flow

Switch on the water supply and allow water to flow so as to purge the system and remove debris.

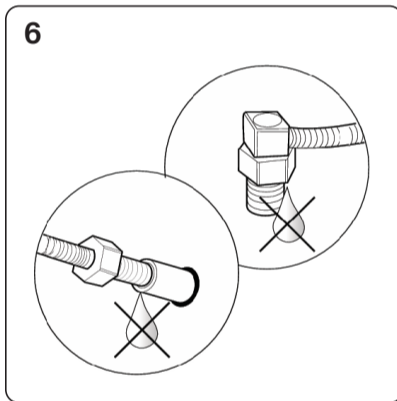
Fit-off Kit

Note: Fit-off is done after painting and tiling



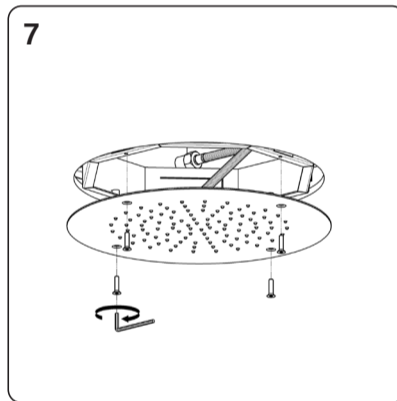
5 Connect flexible hose

Lift the shower plate assembly and hold near the opening. Connect the Flexible hose to the lugged elbow as shown (ensure rubber washers are in place).



6 Test system

Switch on the water supply and observe to ensure no leaks



7 Install Plate assembly

Bring the plate assembly into position, while aligning the holes with the threaded lugs in the frame. Using an allen key, securely fasten the provided four screws, making sure to tighten them completely. DO NOT OVERTIGHTEN. Switch on water supply and ensure flow is as expected. If there are any issues please contact Faucet Strommen before leaving the site.



Must be fitted in accordance with AS/NZS 3500 by qualified plumber



Mains 500kpa regulator must be fitted



Maximum hot water temp. 65°C



Water lines must be flushed prior to connection



Only clean municipal water supply. No bore, dam or hard water without filtration & treatment

Cleaning

Clean only with a soft microfiber or similar cloth and warm clean water. Ensure that the cloth is clean and free of any grit or chemical. Dry tap off with a soft clean cloth. Ensure that your tap is not subject to any chemicals, building grit or any type of abrasive or polish. For care of special finishes please visit our website.

Maintenance - Shower nozzles

Depending on water quality, the rubber nozzles may need to be cleaned from time to time to remove limestone scale and other residue. Refer to pictures.

Contact Faucet Strommen for any technical assistance on installations

03 5450 4236

customerservice@faucetstrommen.com.au

