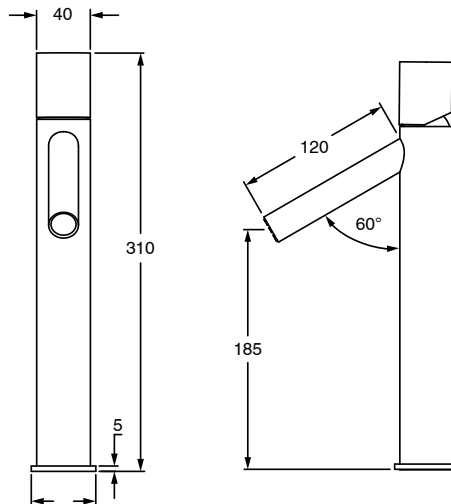
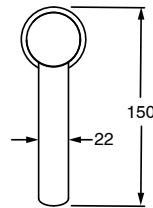


# SUSSEX

## Sussex Pure Extended Basin Mixer with Cirque Textured Handles PVD Brushed Gunmetal (6 Star) Lead Free 47258

| SPECIFICATIONS  |                             |
|---|-----------------------------|
| Recommended Use   | Residential;Commercial      |
| Colour Finish   | Brushed Gunmetal            |
| Primary Material  | Lead Free Brass             |
| Recommended Pressure Range  | 150 - 500 kPa as per AS3500 |
| Max Continuous Working Temperature (deg C)                                | 65                          |
| Min Continuous Working Temperature (deg C)                                | 1                           |
| WARRANTY  |                             |
| Residential Use (Years)   | 40                          |
| Commercial Use (Years)  | 10                          |
| <i>Please refer to Sussex Warranty page for full Terms and Conditions</i> |                             |



Dimensions are nominal measurements only.

### CLEANING RECOMMENDATIONS:

We recommend the use of soapy water or approved cleaners. This product should not be cleaned with abrasive materials. Damage caused by any improper treatment is not covered by the product warranty. Refer to Warranty Conditions

**Disclaimer:** Products in this specification manual must by regulation be installed by licensed and registered trade people. The manufacturer/distributor reserves the right to vary specifications or delete models from their range without prior notification. Dimensions are nominal measurements only. Dimensions and set-outs listed are correct at time of publication however the manufacturer/distributor takes no responsibility for printing errors.

Published 07/05/2026

To see the complete Sussex range go to  
[www.reece.com.au](http://www.reece.com.au)

