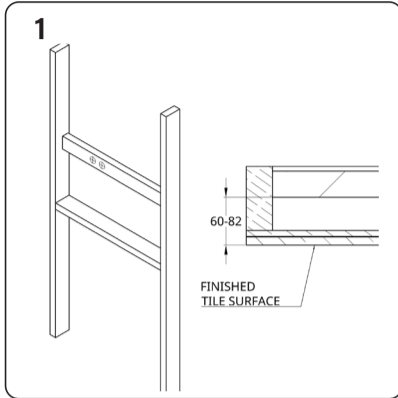




VARA Wall Tap Set

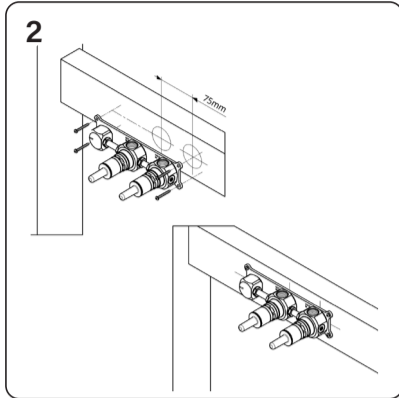
Rough-in

Note: This VARA rough-in kit has been specifically designed for installing in timber frame walls. The Rough in kit does not contain any decorative components as these are all in the fit off kit.



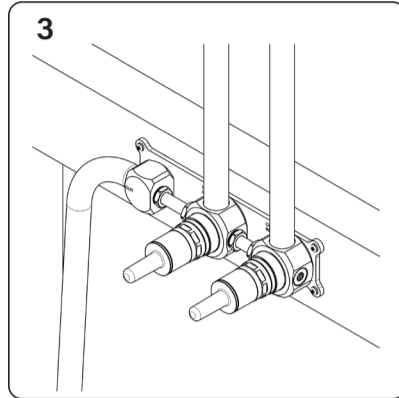
Determine mixer position & install noggin

Determine the optimum position of the rough-in body, considering user ergonomics and the required outlet position. Install a solid timber noggin between the wall studs behind the mixer location. Position the noggin face 60-82 mm from the finished tile surface (check tile thickness and allow for plasterboard and tile adhesive). Ensure the noggin is firmly secured to adjoining studs and its face is parallel with the finished wall surface.



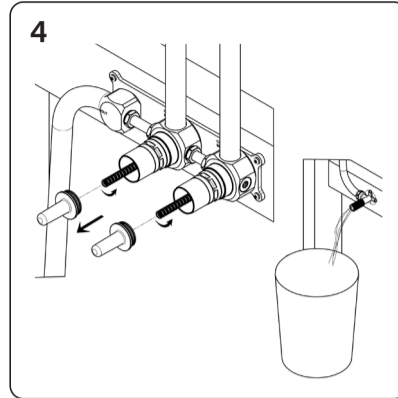
Mount the Rough-In body

Secure the rough-in body to the noggin using appropriate timber screws - Ensure the valve is square, level, and correctly oriented (refer image). Ensure the Rough-In body is perpendicular to the finished wall surface - use packers if needed.



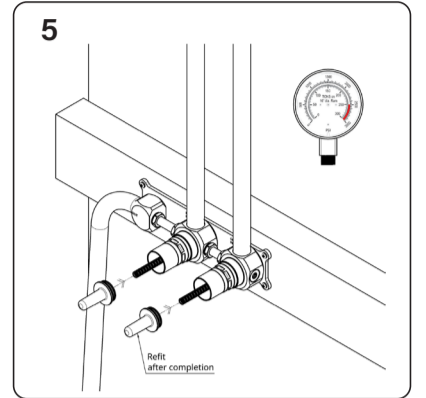
Connect Pipework

Connect the Hot supply into the top left side of the body, the Cold supply into the top right side of the body, and the Outlet pipe into the left side of the outlet fitting. Ensure the 1/2" connection fittings are suitable for the bodies, and that they do not restrict the waterways inside the body.



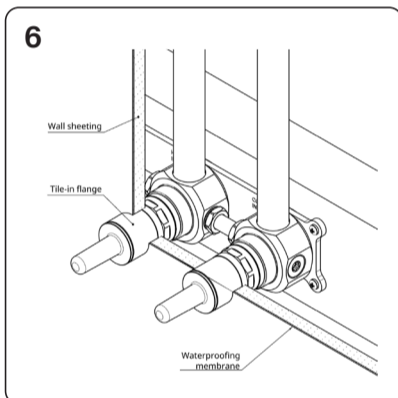
Flush systems & check the flow

Ensure the outlet connection end is open. Remove the protector covers, then open the valve cartridges by turning the spindles anti-clockwise. Switch on the water supply and allow water to flow so as to purge the system and remove debris. Rotate the valve stems one at a time and check water from both valve cartridges flows unimpeded. Close the valve cartridges on completion.



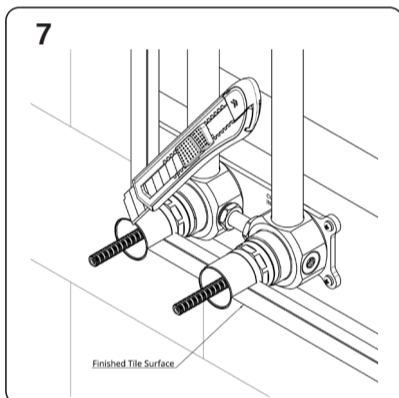
Pressure test the system

Close the valve cartridges (clockwise = closed) and pressure test the system for leaks from both the inlet connection side and the outlet side. Do not exceed 1000kpa testing pressure as this may damage the ceramic disc cartridge and will void the product warranty. On completion, replace the protector covers.



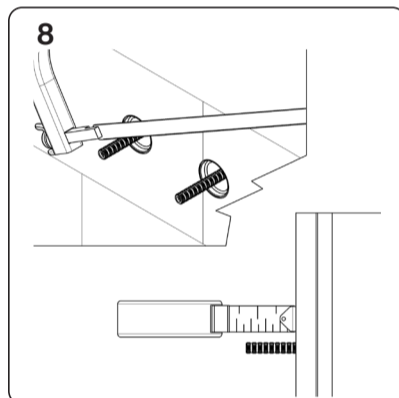
Install wall sheeting & waterproofing

Install wall sheeting, cutting neatly around the Tile-in flanges. It is important that the Tile-in flanges are not damaged or deformed, as they guard against water ingress and ensure proper access for servicing. Apply waterproofing membrane up to the outside of the Tile-in flanges, in accordance with applicable plumbing standards.



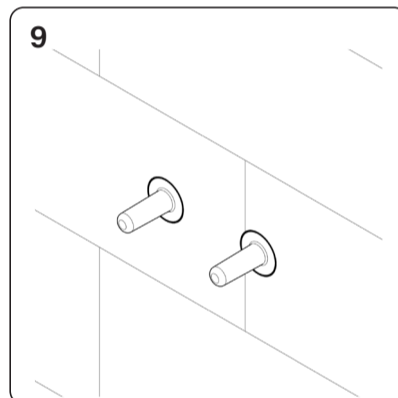
Tile and trim flange

Tile and grout the wall surface. Note the size of the cover plate is 45mm high - make sure that tiling is cut close to the tile-in flange so that the flange (applied at fit-off) will fully cover the tile holes. Temporarily remove the protector covers. Use a box cutter or sharp chisel to carefully cut away what is protruding of the black tile-in flanges. Seal off the gap between the cut tile surface and the Tile-in flange with silicone.



Trim the valve stems to length

Trim the splined spindle using a fine-tooth hacksaw. Grooves are spaced every 4 mm to guide cutting. If supplied, use the spacer to mark the maximum length; otherwise measure 16 mm from the finished wall surface. Cut at the nearest groove so the spindle never exceeds 16 mm from the wall (and is not less than 12 mm). Reinstall the protective caps.



Check state of installation

The finished rough-in should look like this.



Must be fitted in accordance with AS/NZS 3500 by qualified plumber



Mains 500kpa regulator must be fitted



Maximum hot water temp. 65°C



Water lines must be flushed prior to connection



Only clean municipal water supply. No bore, dam or hard water without filtration & treatment

Cleaning

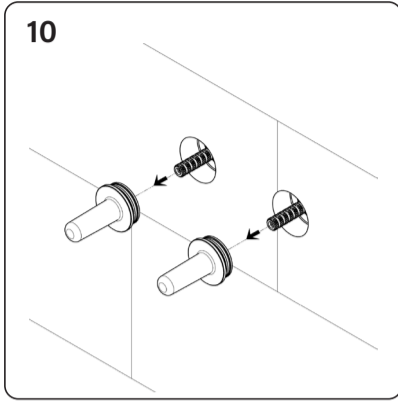
Clean only with a soft microfiber or similar cloth and warm clean water. Ensure that the cloth is clean and free of any grit or chemical. Dry fitting off with a soft clean cloth. Ensure that your fitting is not subject to any chemicals, building grit or any type of abrasive or polish. For care of special finishes please visit our website.



VARA Wall Tap Set

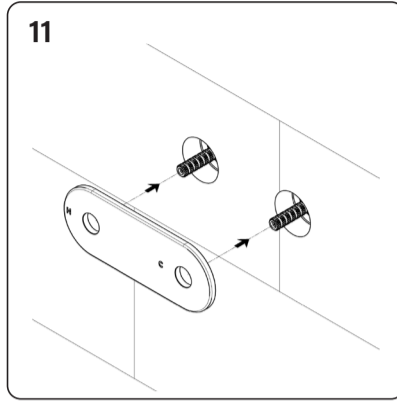
Fit-Off Kit

Note: Fit off is done after tiling and grouting are complete.



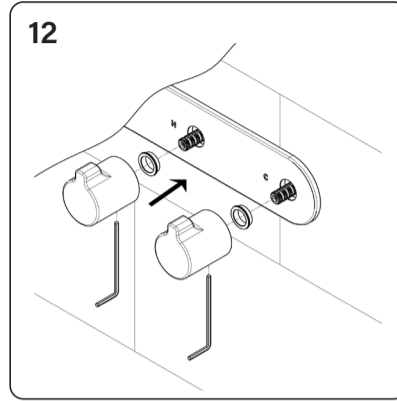
Prepare for fit-off

Ensure that the area around the tap is clean and free from grout lumps, tile glue or sealant. Check that steps 6), 7) and 8) have been completed. Remove the protector caps and ensure that there is no tile glue or deposit inside the Tile-in flanges. Clean if needed.



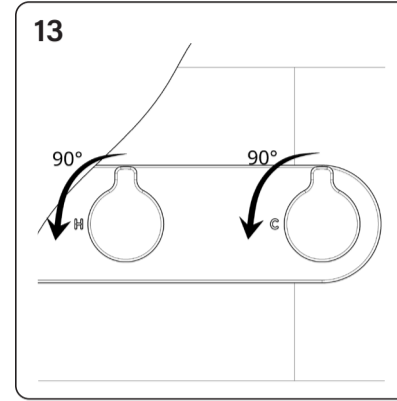
Position wall flange

Unwrap the cover plate, and position it on the wall - ensure the marking on the plate is orientated correctly per the image. Check that the cover plate sits flat against the wall - remove any debris or protrusions on the wall surface if needed.



Install the handles

Install the plastic bushes into the cover plate holes. Ensure the spindles are rotated clockwise (closed), then slide the handles onto the splined spindles with the grub screw hole underneath so the spindle engages correctly. Align the wall plate so the bottom of each handle locates in the cover plate holes, capturing the plastic bush. Press the handle firmly against the cover plate and tighten the grub screw with the supplied 2 mm Allen key.



Test operation

Rotate each handle one at a time, ensuring smooth operation and proper water flow. If there are any issues please contact Faucet Strommen before leaving the site.