

SUSSEX

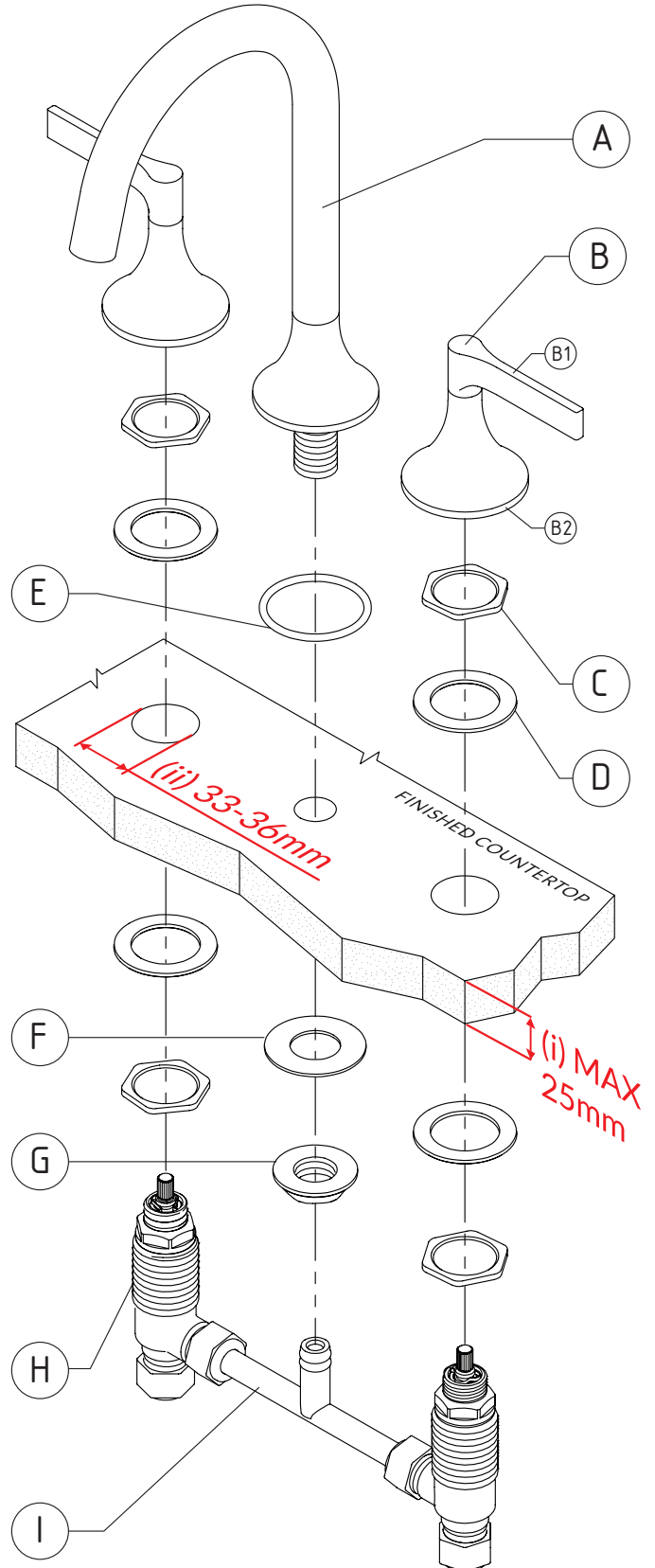
Sussex Oria Basin Set - Step 1: Rough in

Tapware is to be installed by a Licensed Plumber in accordance with AS/NZS 3500:2003
 Recommended working water pressure 300 - 500 Kpa. Maximum water temperature is 65°C

PRIOR TO INSTALL: Preparing components for installation into bench

- Ensure Maximum bench thickness is **25mm (i)**.
- Standard Spindles are supplied pre-installed into basin bodies and do not need to be separated.
- Handle holes should be between **33mm** and **36mm (ii)** diameter to allow for spindle clearance.
- In order to install the basin bodies under the bench, temporarily unscrew the top set of Basin Body Locknuts (C) and Basin Body Clamping washers (D) and set aside.
- If bench thickness does not sit within the range specified. Please contact manufacturer.

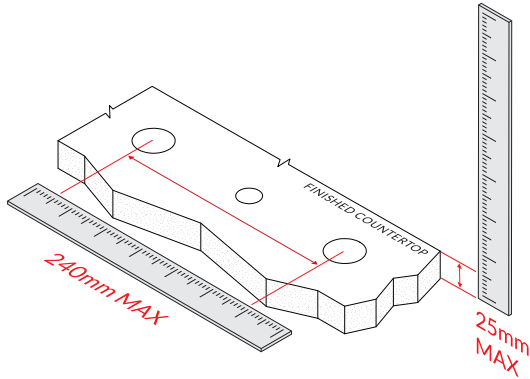
Part	Part Name
A	Outlet Assembly (Preassembled)
B	Handle Assembly (Pre assembled consisting of B1 - Handle and B2 - Flange)
C	Basin Body Locknut x4
D	Basin Body clamping washer x4
E	Outlet O-Ring
F	Outlet clamping washer
G	Outlet Locknut
H	Basin Body Assembly x2 (Preassembled and consisting of Basin Body, H/C Spindles, Fiber Washers and Spindle Locknuts)
I	Tee-Piece



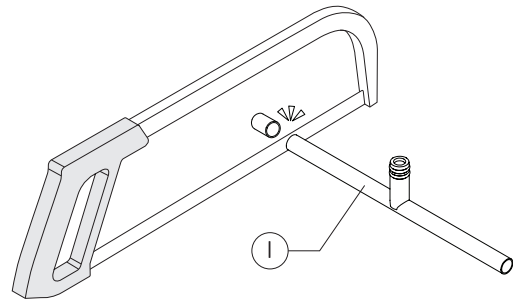
SUSSEX

Sussex Oria Basin Set - Step 2: Fitting Off

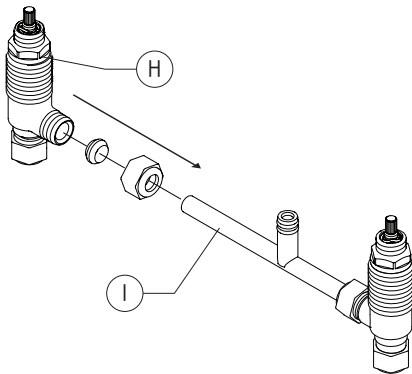
1) Measure Bench top thickness and the distance between tap centers. Maximum bench thickness is **25mm** and the maximum distance between tap centers is **240mm**.



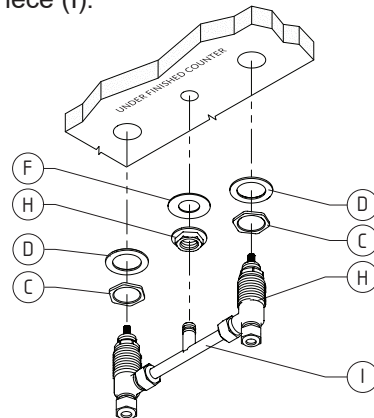
2) Cut if required.



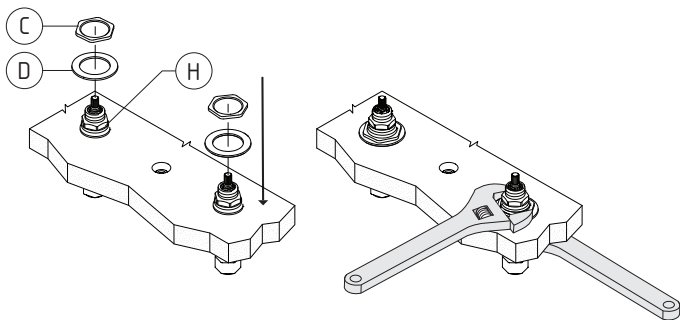
3) Attach Tee-Piece (I) between Basin Body Assemblies (H) using supplied locknuts.



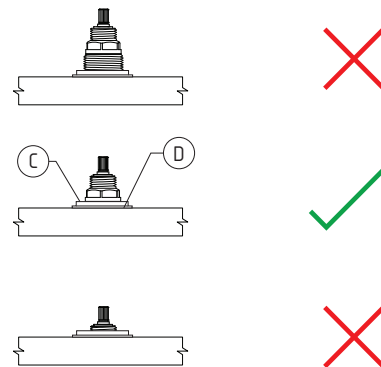
4) Screw 2x Basin Body Locknuts (C) and 2x Basin Body Clamping Washers (D) onto basin bodies and loosely fit the Outlet Locknut (H) and the Outlet clamping washer (F) onto Tee-Piece (I).



5) On the top of the counter, screw the remaining 2x Basin Body Locknuts (C) and Basin Body Clamping Washers (D) onto basin bodies (H) tighten both sets above and below the counter.



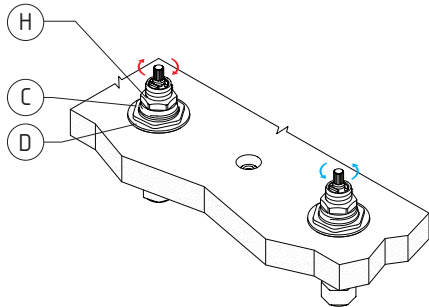
6) The upper locknut which secures the spindle onto the basin should sit with the thread protruding from the bench. The Basin Body Locknuts (C) and Basin Body Clamping Washers (D) sit just below the fibre washer.



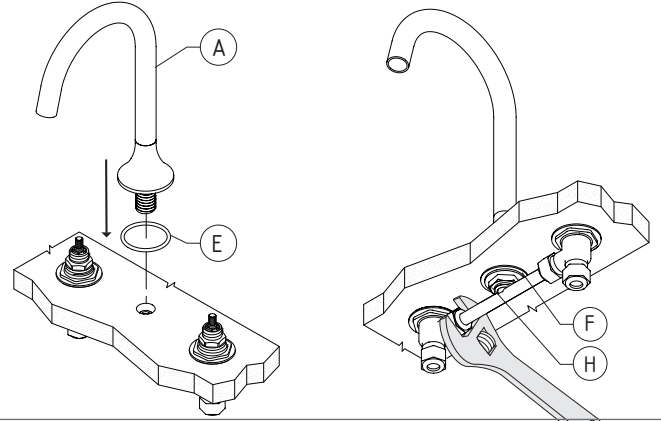
SUSSEX

Sussex Oria Basin Set - Step 2: Fitting Off cont'd

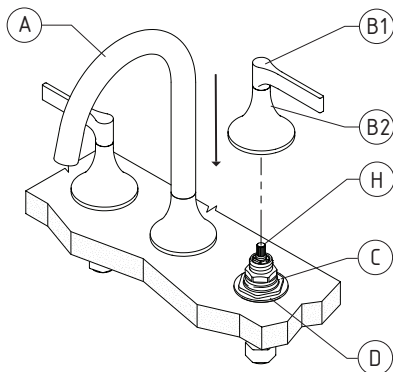
7) When secured, ensure both spindles are set to **OFF** position - **HOT = FULL TURN CLOCKWISE**
COLD = FULL TURN ANTICLOCKWISE.



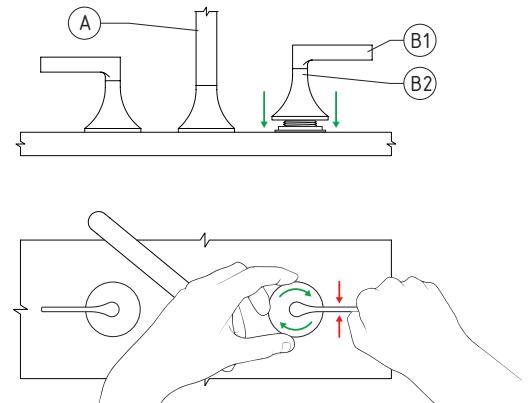
8) Fit Outlet Assembly (A) and O-ring (E) in place and secure below countertop with Outlet clamping washer (F) and the Outlet Locknut (H).



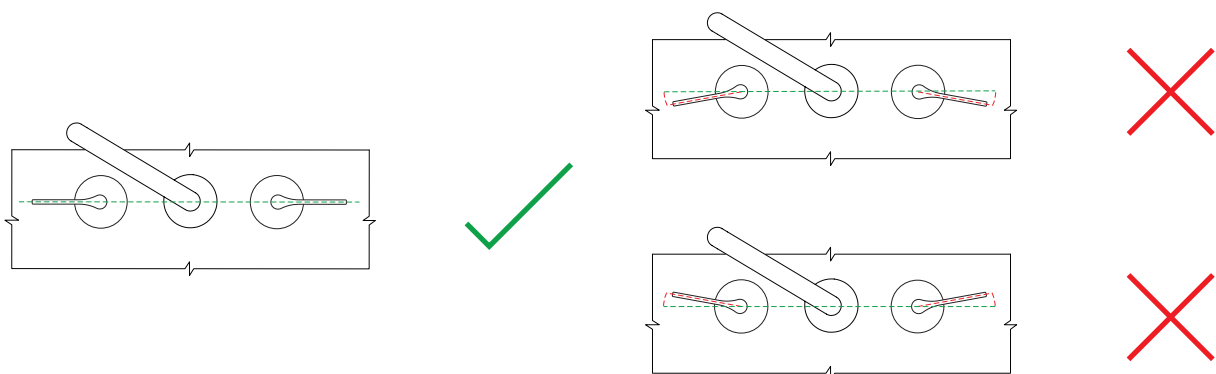
9) Slide the Handle Assembly (B) onto the Spindle locknut within the Basin Body (H) The splines of the spindle will engage internally. Align the handle (B1) horizontally.



10) Once the correct alignment has been achieved, the Handle can be screwed onto the Locknut by holding the handle (B1) and rotating the flange (B2).



11) The handle must be affixed as shown - with the standard "off" position in horizontal alignment.



After installation, establish water supply and thoroughly check operation of tapware to ensure that it functions correctly and no water leaks. Plumbers, please ensure a copy of the Installation Instructions are left with the end user for future reference