



Memo Freya Round Sink No Taphole Granite White

2406974

SPECIFICATIONS

Recommended Use	Residential;Commercial
Bowl Type	Inset / Semi Inset;Under Mount / Under Counter
Material	Quartz Composite
Sink Colour	White
Taphole Options	None
Capacity (L)	21.6
Mounting	Product Surface
Overflow Included	No
Plug & Waste Included	Yes
Plug & Waste Size	90mm Basket Waste

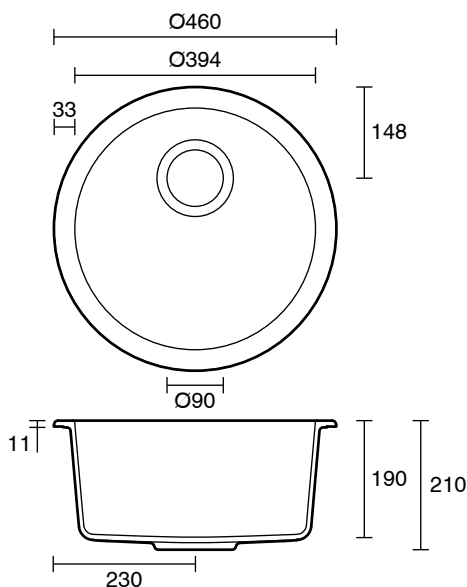
WARRANTY

Residential & Commercial Use (Years)	30
Spare Parts & Labour (Years)	1

Please refer to Memo Warranty Page for full Terms and Conditions



Sinks must be installed using a cutout template. No responsibility will be taken for damage that occurs where a template has not been used.



Dimensions are nominal measurements only.

CLEANING RECOMMENDATIONS:

We recommend the use of soapy water or approved cleaners. This product should not be cleaned with abrasive materials. Damage caused by any improper treatment is not covered by the product warranty. Refer to Warranty Conditions

Disclaimer: Products in this specification manual must by regulation be installed by licensed and registered trade people. The manufacturer/distributor reserves the right to vary specifications or delete models from their range without prior notification. Dimensions are nominal measurements only. Dimensions and set-outs listed are correct at time of publication however the manufacturer/distributor takes no responsibility for printing errors.

Published 01/04/2026

To see the complete Memo range go to www.reece.com.au

