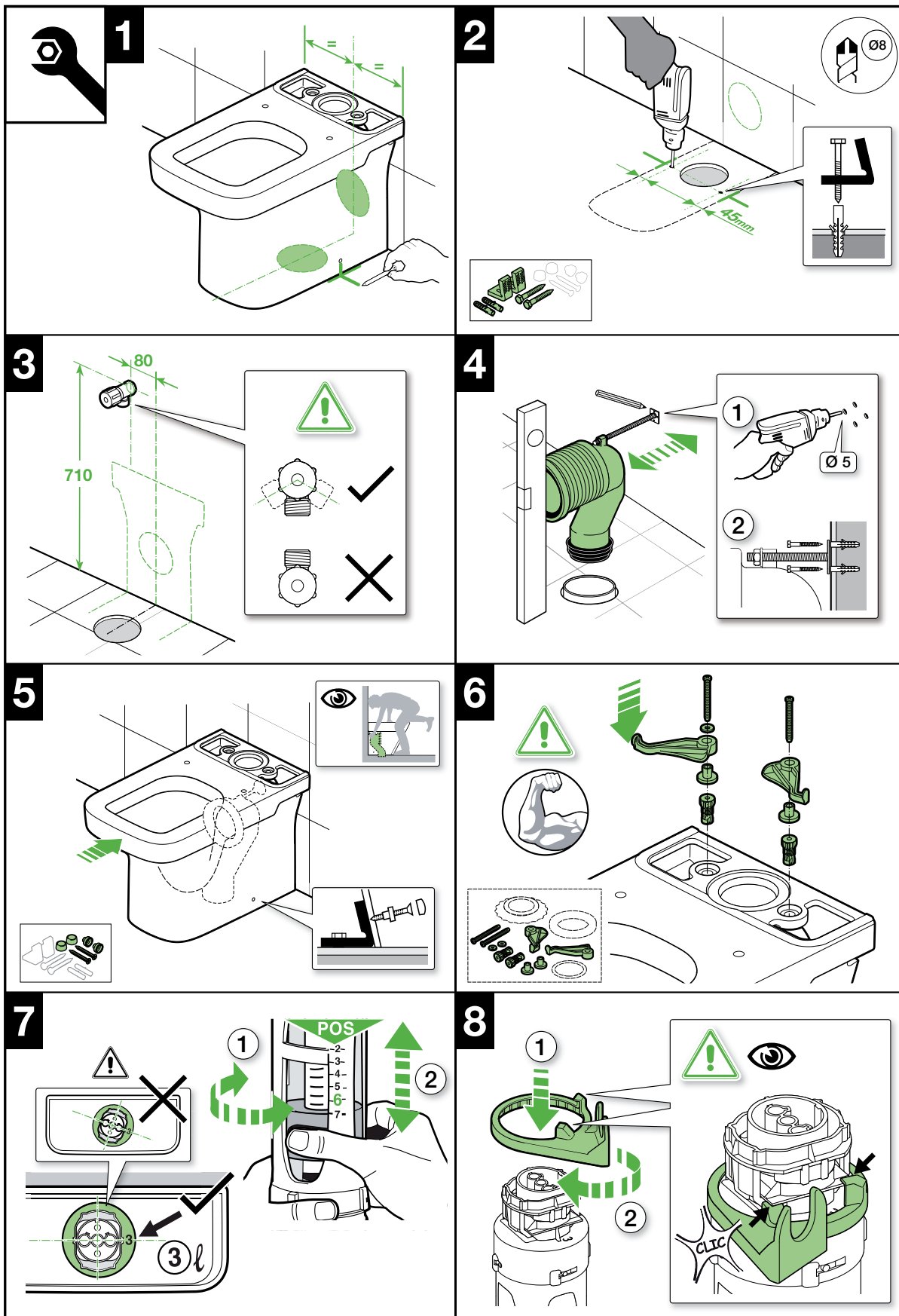


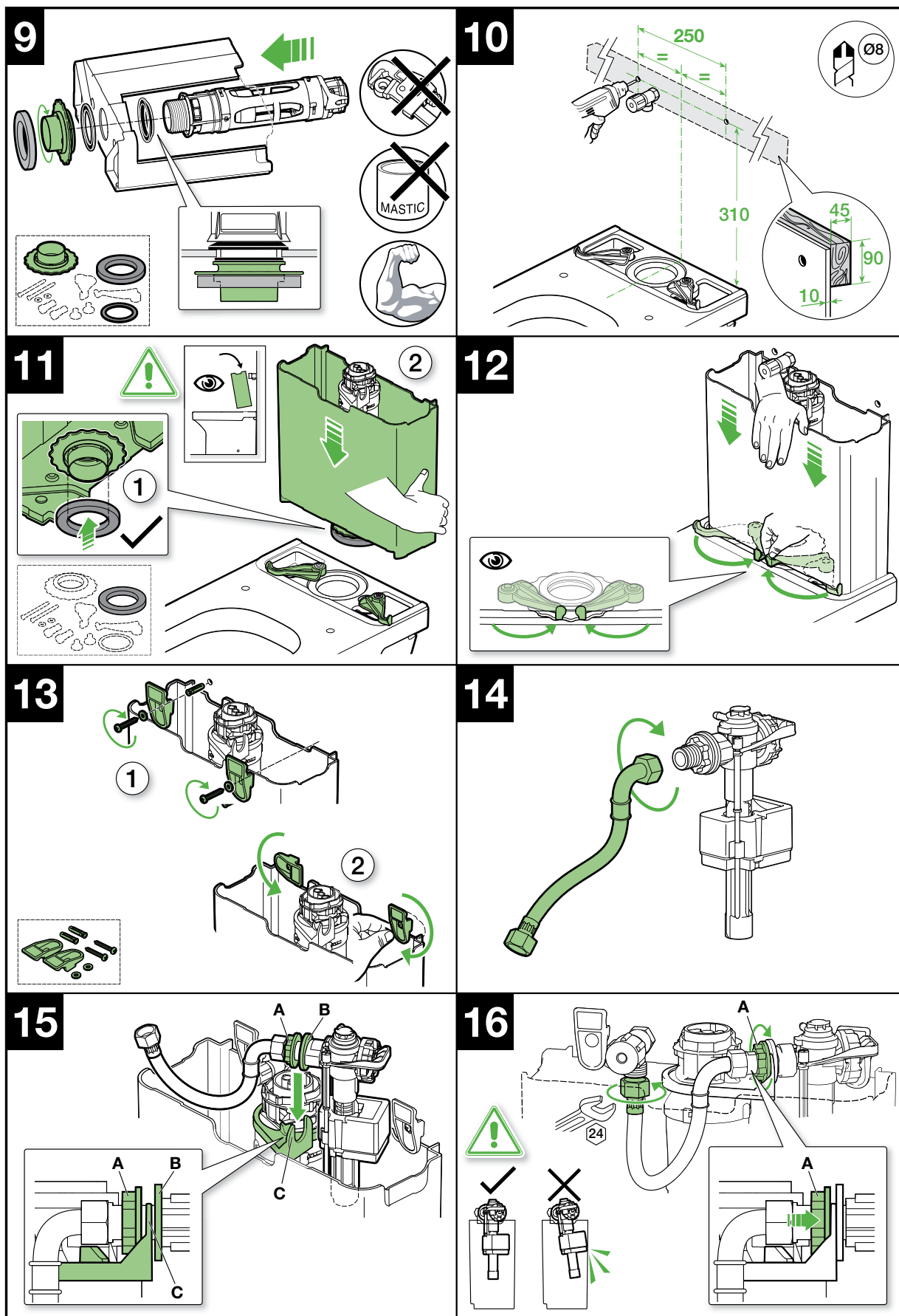
ROCA DAMA N CLOSE COUPLED BACK TO WALL TOILET SUITE (BACK INLET)

INSTALLATION INSTRUCTIONS



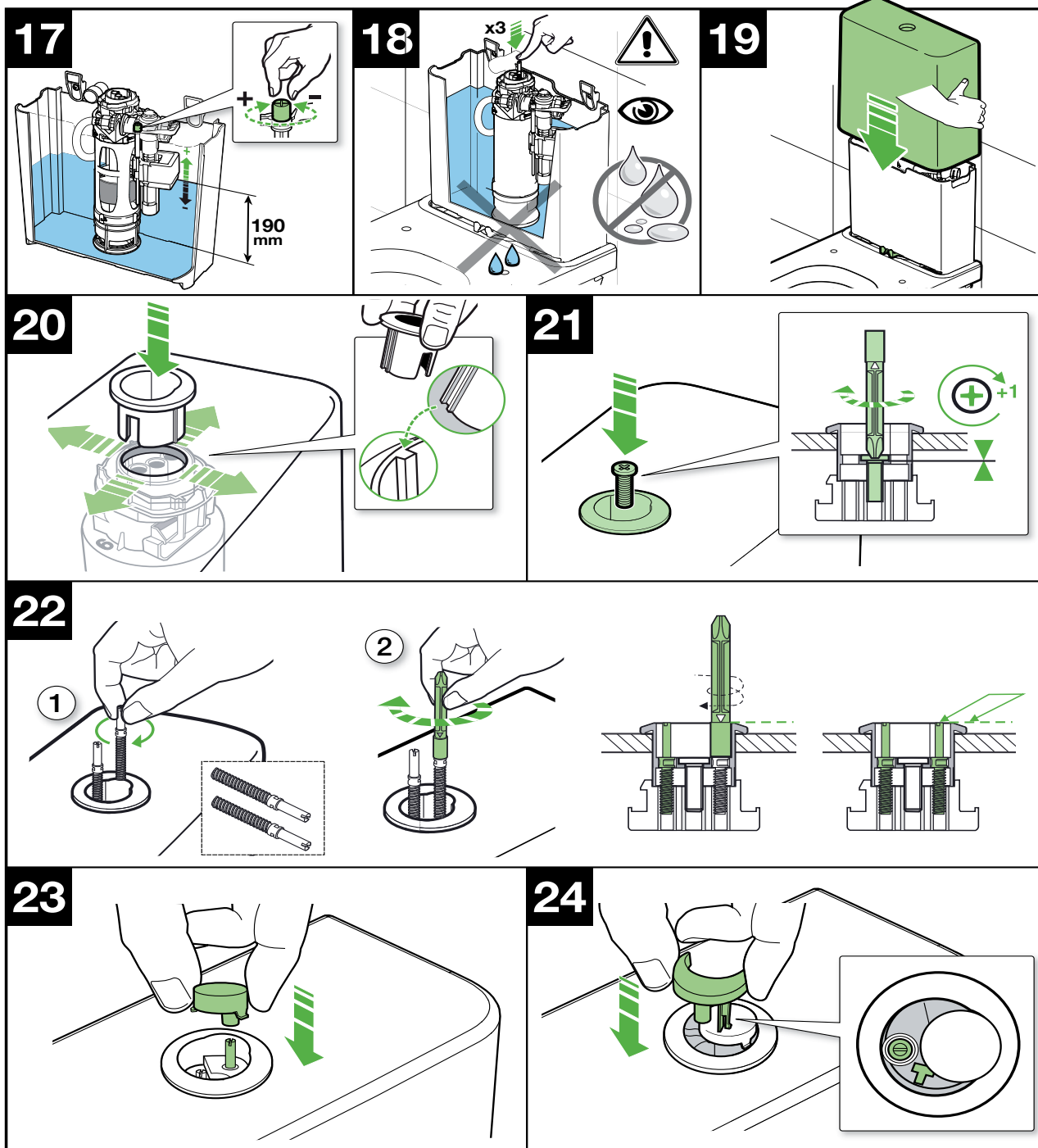
ROCA

DAMA N CLOSE COUPLED BACK TO WALL TOILET SUITE (BACK INLET)



ROCA

DAMA N CLOSE COUPLED BACK TO WALL TOILET SUITE (BACK INLET)



Plumbers, please ensure a copy of the installation instructions is left with the end user for future reference

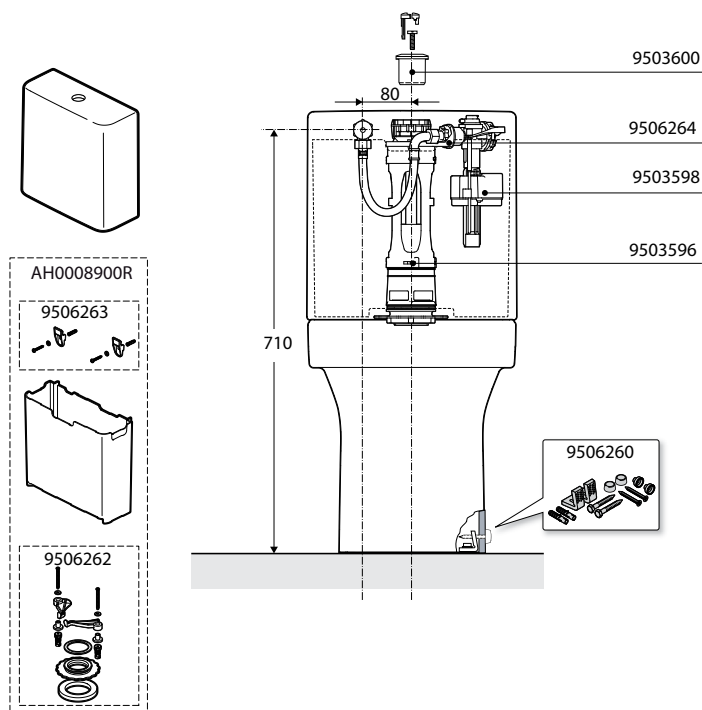
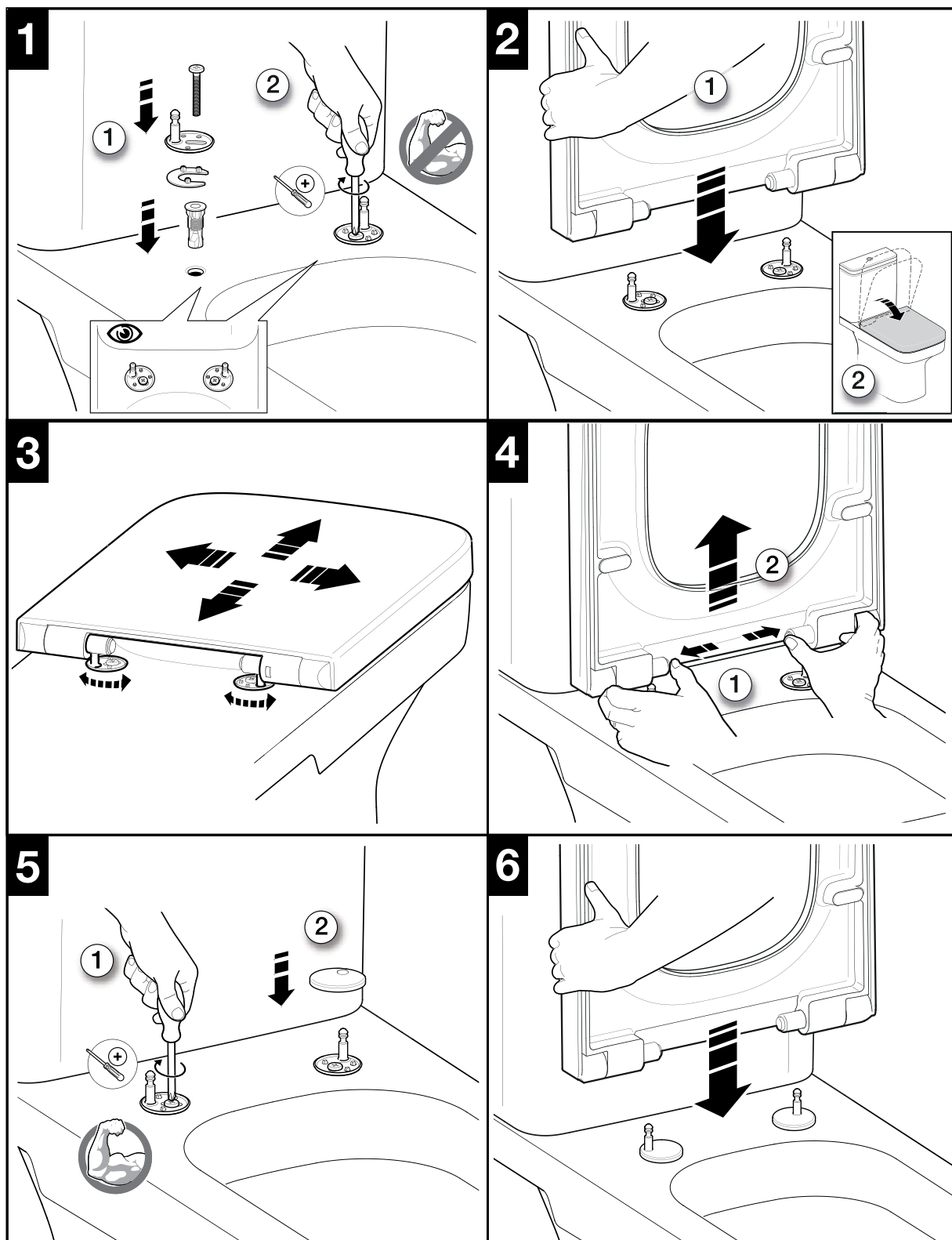
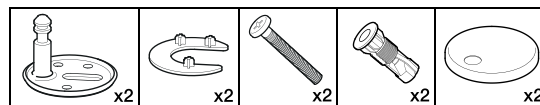
ROCA**DAMA N CLOSE COUPLED BACK TO WALL TOILET SUITE (BACK INLET)****SPARE PARTS**

Image	Reece Code	Product Description	Part Number
	9503600	Roca Dual Flush Buttons - Ah0001800r	AH0001800R
	9506264	Roca O/L Valve D4d W/Inlet Hold Brkt	AH0009000R
	9503598	Roca Inlet Valve Fluidmaster 747I	A82209630R
	9506260	Roca Floor Pan Bracket Fixing Kit	AV0009400R
	9506262	Roca Dama-N Cistern TO Pan Fixing Kit	AV0012700R
	9506263	Roca Dama-N Plastic Tank Wall Fixing Kit	AV0012900R
	9503698	Roca Outlet Valve Seal Washer Ah0007100r	AH0007100R
	9502798	Dura Offset Adj Pan Bend	9502798
	9505400	Dama-N Soft Close Seat Compact	A80R78C001
	9504724	Roca Seat Hinges Set Wy911691212001	WY911691212001
	9506349	Roca Seat Buffer Set Wy911801413001	WY911801413001

ROCA

DAMA N CLOSE COUPLED BACK TO WALL TOILET SUITE (BACK INLET)

INSTALLATION INSTRUCTIONS - SEAT



ROCA DAMA N CLOSE COUPLED BACK TO WALL TOILET SUITE (BACK INLET)

MAINTENANCE

