

KADO

Kado Lux Close Coupled Back to Wall Overheight Back Inlet Toilet Suite with Soft Close Quick Release Seat (4 Star)

SPECIFICATIONS

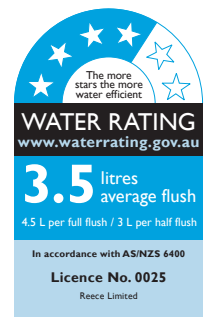
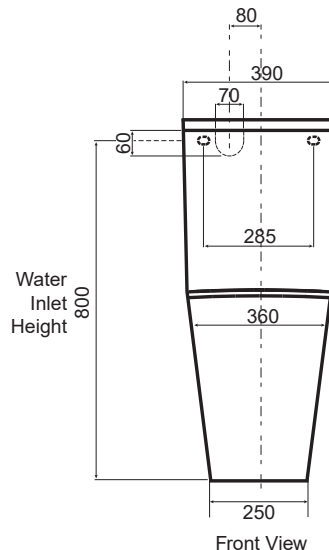
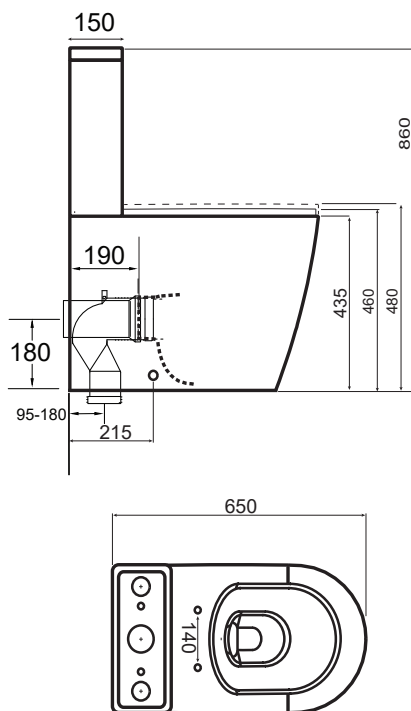
Recommended Use	Residential; Commercial
Material	Vitreous China
Colour	White
Weight of Pan	33kg
Weight of Cistern	15kg
Water Inlet Position	Back Inlet
Toilet Seat	Soft Close Quick Release (Urea)
Seat Height	460min to 480max finished floor to top of seat for an ambulant installation to AS1428
Rim Configuration	Box Rim
Outlet Type	Universal S & P Converts to S Trap using plastic S-Bend (included)
S Trap Setout	95 - 180mm
P Trap Setout	180mm
Inlet Valve Pressure Rating	500kPa
Pan Fixing	Screwed to floor using brackets supplied and bedded with sealant



WARRANTY

Residential & Commercial Use (Years)	25
Spare Parts & Labour (Years)	1

Please refer to Kado Warranty Page for full Terms and Conditions



Dimensions are nominal measurements only.

Disclaimer: Products in this specification manual must by regulation be installed by licensed and registered trade people. The manufacturer/distributor reserves the right to vary specifications or delete models from their range without prior notification. Dimensions are nominal measurements only. Dimensions and set-outs listed are correct at time of publication however the manufacturer/distributor takes no responsibility for printing errors.

Published 01/04/2026

CLEANING RECOMMENDATIONS:

We recommend the use of soapy water or approved cleaners. This product should not be cleaned with abrasive materials. Damage caused by any improper treatment is not covered by the product warranty. Refer to Warranty Conditions.

