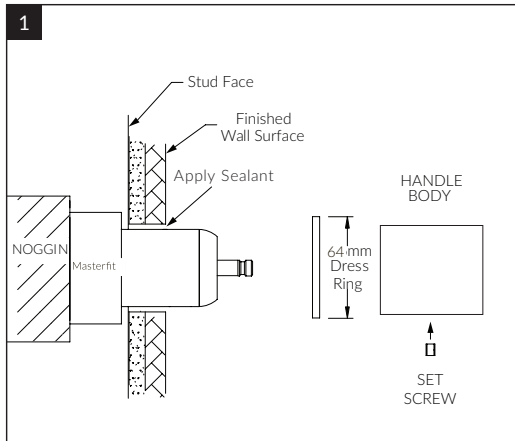


# SUSSEX

## Sussex Pure Progressive Bath Mixer Tap System with Handshower Right Hand (3 Star)

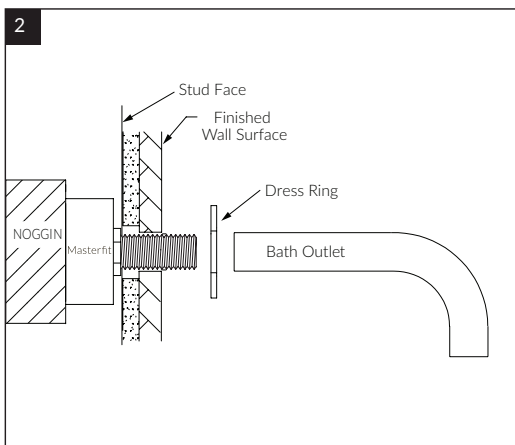
Tapware is to be installed by a Licensed Plumber in accordance with AS/NZS 3500:2003

Recommended working water pressure 300-500 kpa.  
Maximum water temperature is 65 deg.c.



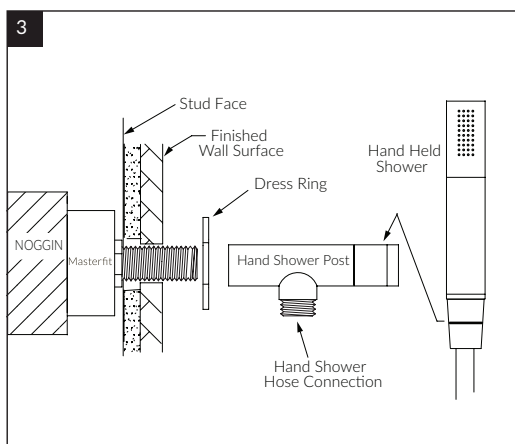
### MIXER DRESS KIT

- Remove Mixer protective cover.
- Seal the wall surface around the Mixer and Outlet threads using appropriate sealant.
- Fit the Dress Ring to the Mixer.
- Fit the Handle Body onto the Mixer Cartridge Lever and ensure full engagement.
- Secure the Handle Body by tightening the set screw using the Allen Key provided (tighten well).
- To complete installation, operate the Mixer(s) checking the flow of both hot and cold water from the Outlet. Check all fittings and fixtures for water leaks.



### OUTLET FIT OFF

- Apply sealing tape (Teflon) to male thread.
- Place Dress Ring over outlet
- Fit and align the Outlet.
- Push Dress Ring back to meet the wall.



### HAND SHOWER FIT OFF

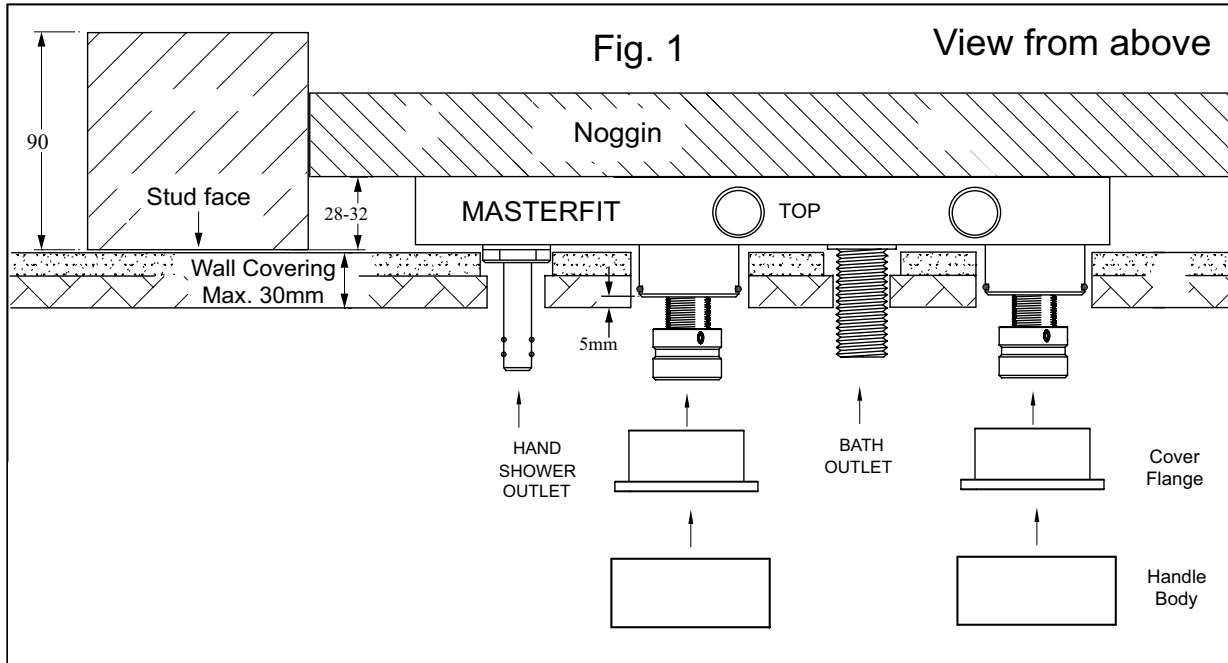
- Apply sealing tape (Teflon) to male thread.
- Place Dress Ring over prepared male thread.
- Fit Hand Shower Post.
- Connect the Hand Shower Hose to Post.

# SUSSEX

## Sussex Pure Progressive Bath Mixer Tap System with Handshower Right Hand (3 Star)

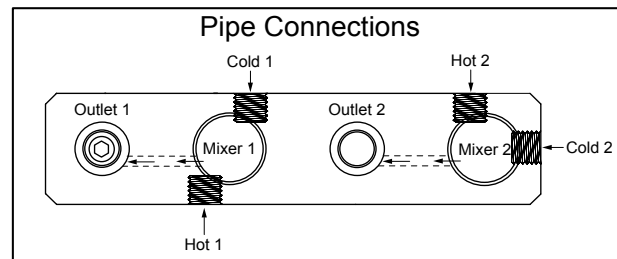
Tapware is to be installed by a Licensed Plumber in accordance with AS/NZS 3500:2003

Recommended working water pressure 300-500 kpa.  
Maximum water temperature is 65 deg.c.



### ROUGH IN PLUMBING

- Prior to installing, calculate the finished wall thickness to ensure enough adjustment is available when fitting the Handle.
- The Masterfit is supplied with a plastic cover to protect the Mixer during Plastering and Tiling.
- The Hot/Cold Ports are marked on the shoulder of the Masterfit body to indicate the correct connection.
- Note: Do not cross Hot/Cold connections from Mixer 1 to Mixer 2 (See Pipe Connections)
- Set a Nogging between 28 - 32mm back from the face of the wall stud. (see Fig.1).
- Using the screws provided, fix the Mixer to the Nogging.
- Ensure the Masterfit is aligned square and well secured.
- Flush all water feed lines. Pipes and fittings must be free from any dirt and debris before connecting to the Mixer.
- Once all water fittings are connected, check Hot/ Cold water flow by operating the Mixer.
- Check for any water leaks.
- Once all checks have been made, leave the Mixers in the closed position and replace the protective cover.
- Store remaining parts in a safe place until wall coverings have been completed and final fit-off is required (see Dress finishing).



### PLUMBER NOTE:

- On-site high pressure line testing must be conducted with the Mixer in the closed position. (STATIC TEST ONLY)
- Under no circumstances is the Mixer to be opened when exceeding the maximum stated water pressure.
- At the completion of the testing, do not relieve any high pressure by opening the Mixer.
- Exposing the internals of the Mixer Cartridge to higher than specified water pressures, will void the manufacturer's warranty.

**Plumbers, please ensure a copy of the Installation Instructions are left with the end user for future reference**