

mizu

Mizu Drift Heated Towel Rail 550 x 1050mm Polished Stainless Steel

9508102

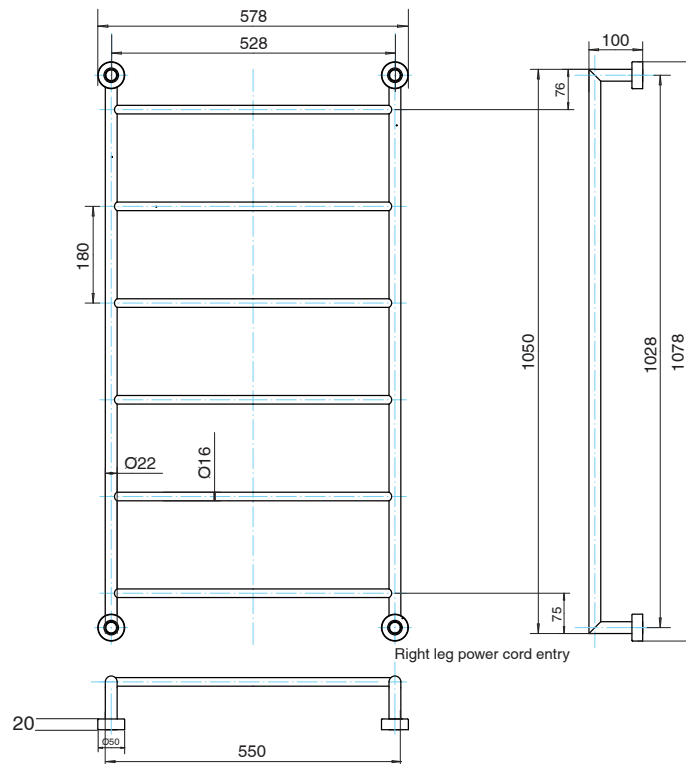
SPECIFICATIONS

| | |
|----------------------------|------------------------|
| Recommended Use | Residential;Commercial |
| Colour Finish | Stainless Steel |
| Primary Material | Stainless Steel 304 |
| Mounting | Wall |
| Electrical Connection Type | Hardwired |
| Heating Method | Dry Element |
| Power Supply (V) | 230V AC |
| IP Rating | IP45 |

WARRANTY

| | |
|--------------------------------------|----|
| Residential & Commercial Use (Years) | 10 |
| Spare Parts & Labour (Years) | 1 |

Please refer to Mizu Warranty page for full Terms and Conditions



Dimensions are nominal measurements only.

CLEANING RECOMMENDATIONS:

We recommend the use of soapy water or approved cleaners. This product should not be cleaned with abrasive materials. Damage caused by any improper treatment is not covered by the product warranty. Refer to Warranty Conditions

Disclaimer: Products in this specification manual must by regulation be installed by licensed and registered trade people. The manufacturer/distributor reserves the right to vary specifications or delete models from their range without prior notification. Dimensions are nominal measurements only. Dimensions and set-outs listed are correct at time of publication however the manufacturer/distributor takes no responsibility for printing errors.

Published 01/04/2026

To see the complete Mizu range go to www.reece.com.au

