

Trade Waste Solutions



200mm Square Floor Waste Arrestor



FW-200BS-304

FW-200BS-316

FW-200S-BASKET-304 (BASKET ONLY)

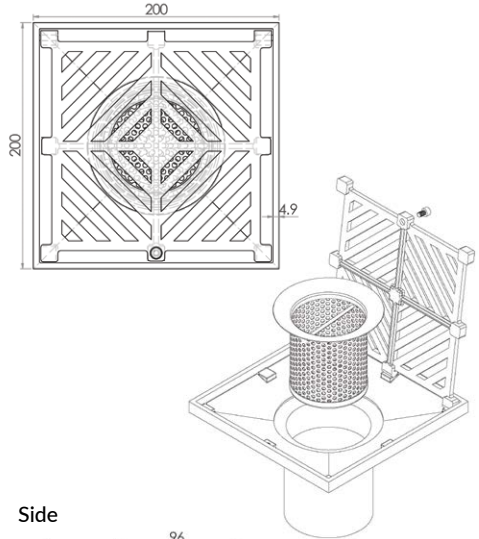
FW-200S-BASKET-316 (BASKET ONLY)

- Hinged Stainless Steel Grate
- Fixed Secondary Strainer
- Removable Strainer Basket
- Suits 100mm DWV, HDPE Pipe

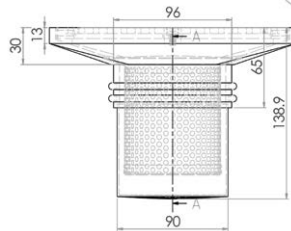


FW-200S-BASKET

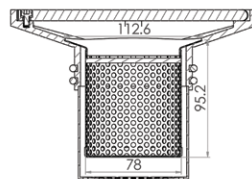
Top



Side



Cross Section



*Exclusions apply

3monkeez.com.au