



WOLFEN™

INSTALLATION MANUAL

9508311 Wolfen Freestanding Safety Shower & Eye Wash

9508312 Wolfen Freestanding Safety Shower & Eye Wash with Foot Pedal

9508313 Wolfen Freestanding Safety Eye Wash

9508314 Wolfen Freestanding Safety Eye Wash with Foot Pedal

9508315 Wolfen Wall Mounted Safety Eye Wash

9508316 Wolfen Wall Mounted Safety Drench Shower

9508317 Wolfen Ceiling Mounted Safety Drench Shower

9508318 Wolfen Freestanding Safety Shower





WOLFEN

CONTENTS

Intro	03
Technical Information	04
Unit Components	10
Installation Instructions	15
Warranty	22

Delivering unrivalled quality

Designed for absolute performance, Wolfen's Safety Showers and Eye Washes set new standards in quality and durability. Special design combined with precision engineering ensures that every Wolfen product is easy-to-use and made to last.

Here are just some of the many innovative features that make Wolfen Safety Showers and Eye Washes the smart solution.

Commercial durability features

- Tested and compliant with AS4775, ANSI and AS4020 only product with type 5 certificate
- Compact packing, Stainless steel 304

Installation and servicing features

- The product should be installed in accordance to the plumbing code
- Dynabolts provided for mounting on the floor
- Top or rear entry inlet optional
- Supplied disassembled to minimize transport damage
- Teflon tape provided
- Safety sign included

Usage features

- Adjustable flow eyewash, cyclonic shower, polished stainless, aesthetically pleasing product for internal and external use

Application

- Commercial, industrial, scientific and educational



AS 4775:2007
License No. AMI 74767

TECHNICAL INFORMATION

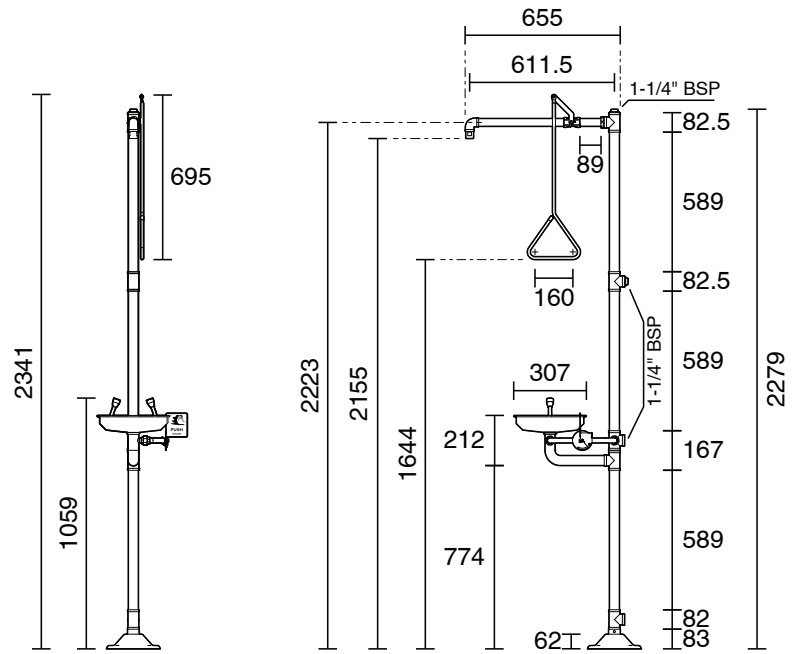
Description	Product Code	Product Type	Colour	Finish	Material	Cartridge Type
Wolfen Freestanding Safety Shower & Eye Wash	9508311	Safety Shower and Eye Wash	Mirror finish	Polished	Stainless Steel	Ceramic Disc/ ball valve
Wolfen Freestanding Safety Shower & Eye Wash with Foot Pedal	9508312	Safety Shower and Eye Wash with Foot Pedal	Mirror finish	Polished	Stainless Steel	Ceramic Disc/ ball valve
Wolfen Freestanding Safety Eye Wash	9508313	Safety Eye Wash	Mirror finish	Polished	Stainless Steel	Ceramic Disc/ ball valve
Wolfen Freestanding Safety Eye Wash with Foot Pedal	9508314	Safety Eye Wash with Foot Pedal	Mirror finish	Polished	Stainless Steel	Ceramic Disc/ ball valve
Wolfen Wall Mounted Safety Eye Wash	9508315	Safety Eye Wash	Mirror finish	Polished	Stainless Steel	Ceramic Disc/ ball valve
Wolfen Wall Mounted Safety Drench Shower	9508316	Safety Shower	Mirror finish	Polished	Stainless Steel	Ceramic Disc/ ball valve
Wolfen Ceiling Mounted Safety Drench Shower	9508317	Safety Shower	Mirror finish	Polished	Stainless Steel	Ceramic Disc/ ball valve
Wolfen Freestanding Safety Shower	9508318	Safety Shower	Mirror finish	Polished	Stainless Steel	Ceramic Disc/ ball valve

Min Continuous Working Pressure	Max Continuous Working Pressure	Min Continuous Working Temperature	Max Continuous Working Temperature	Maximum Static Pressure	Height	Clearance	Reach
>250 kPa	<500 kPa	Ambient Water	Reference AS4775	500 kPa	2400mm	2200mm	635mm
>250 kPa	<500 kPa	Ambient Water	Reference AS4775	500 kPa	2400mm	2200mm	635mm
>250 kPa	<500 kPa	Ambient Water	Reference AS4775	500 kPa	1000mm	1500mm	N/A
>250 kPa	<500 kPa	Ambient Water	Reference AS4775	500 kPa	1000mm	N/A	N/A
>250 kPa	<500 kPa	Ambient Water	Reference AS4775	500 kPa	Suggested height refer to AS4775	Suggested Clearance refer to AS4776	N/A
>250 kPa	<500 kPa	Ambient Water	Reference AS4775	500 kPa	Suggested height refer to AS4776	Suggested Clearance refer to AS4777	N/A
>250 kPa	<500 kPa	Ambient Water	Reference AS4775	500 kPa	Suggested height refer to AS4777	Suggested Clearance refer to AS4778	N/A
>250 kPa	<500 kPa	Ambient Water	Reference AS4775	500 kPa	2300mm	2150mm	635mm

TECHNICAL INFORMATION

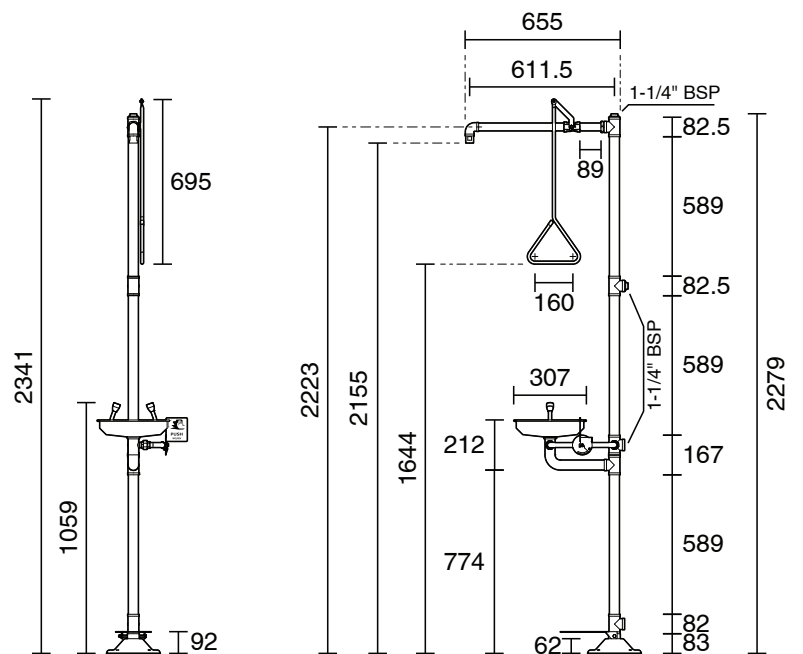
Freestanding Safety Shower & Eye Wash

9508311



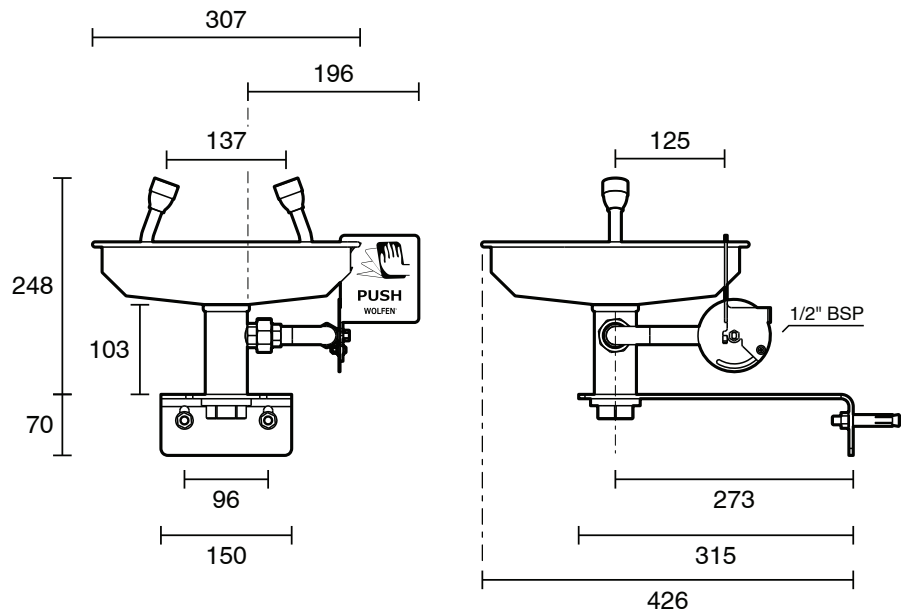
Freestanding Safety Shower & Eye Wash With Foot Pedal

9508312



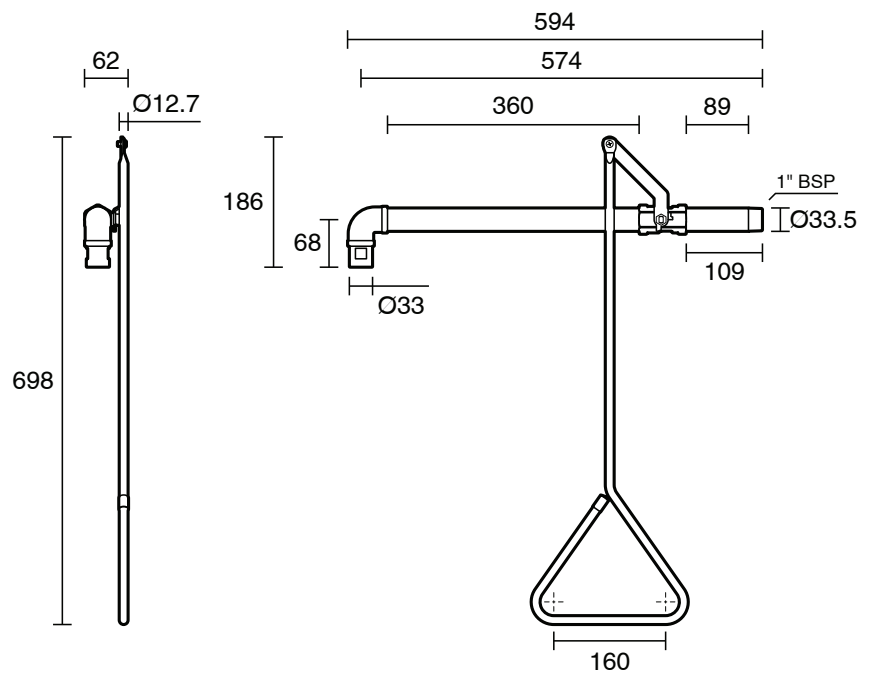
Wall Mounted Safety Eye Wash

9508315



Wall Mounted Safety Drench Shower

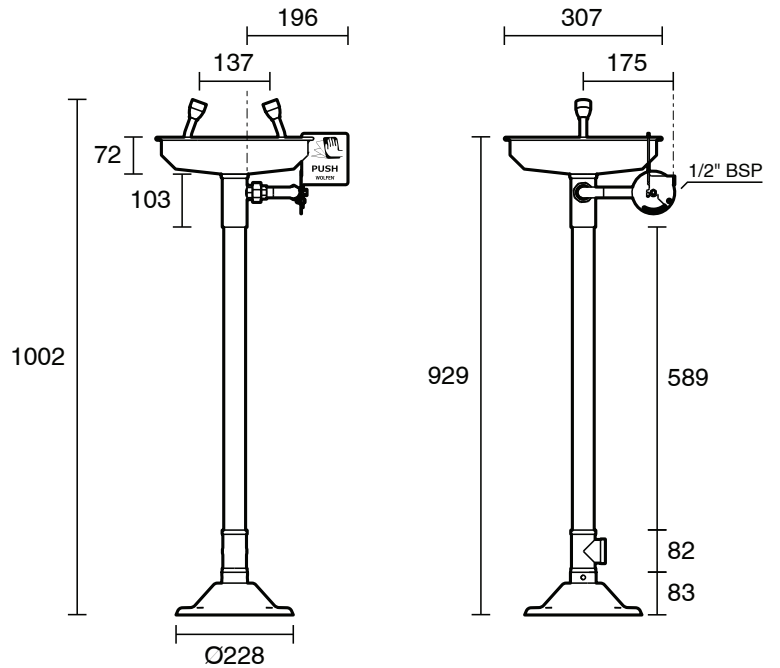
9508316



TECHNICAL INFORMATION

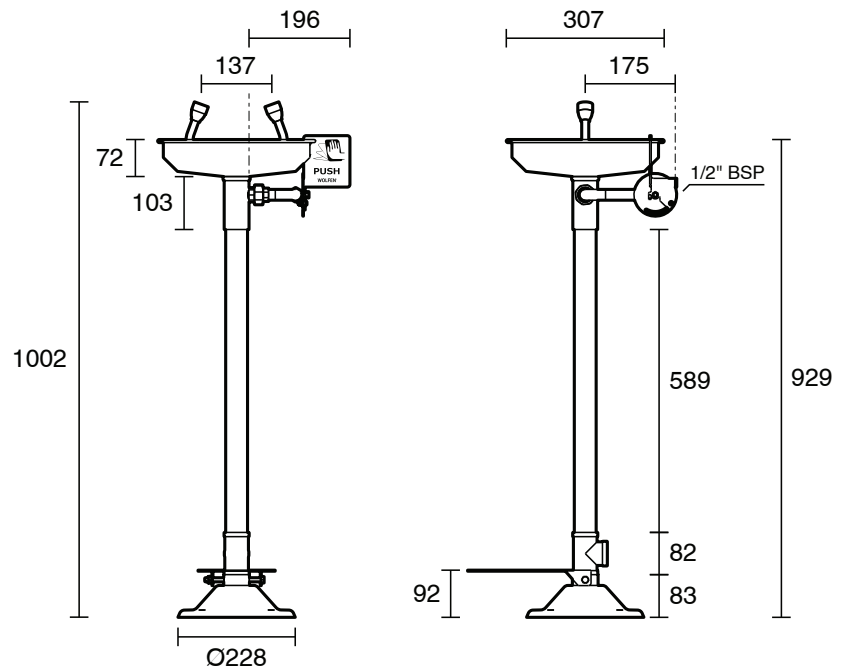
Freestanding Safety Eye Wash

9508313



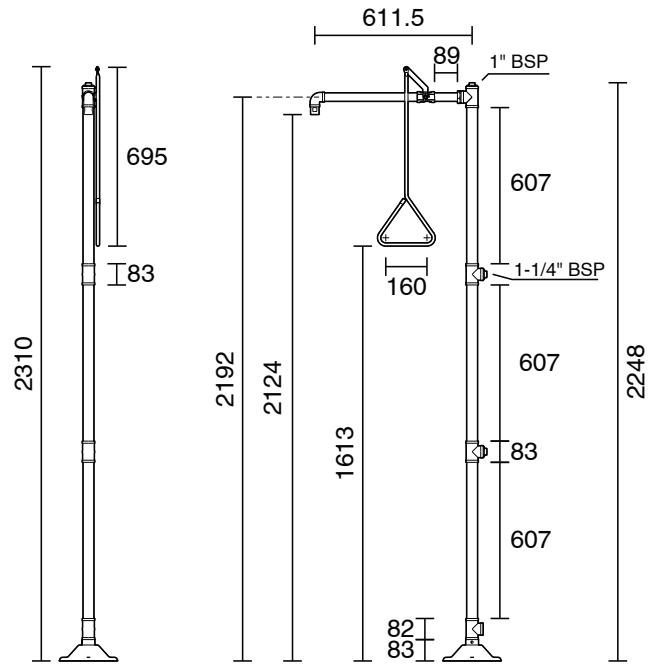
Freestanding Safety Eye Wash with Foot Pedal

9508314



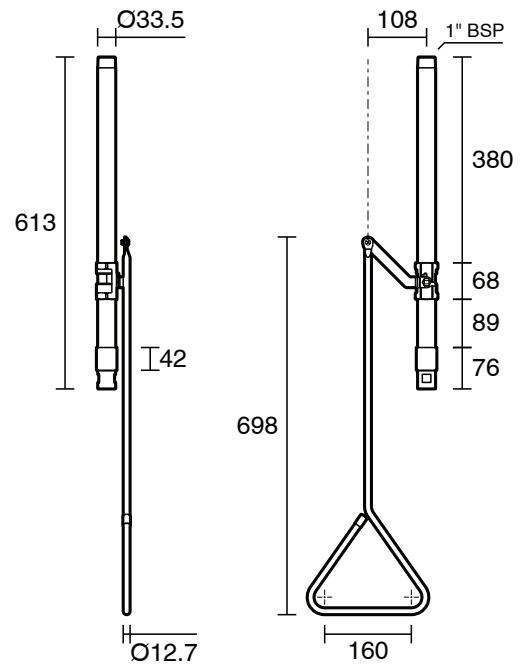
Freestanding Safety Shower

9508318



Ceiling Mounted Safety Drench Shower

9508317



UNIT COMPONENTS

Fig. 1 Freestanding Safety Shower & Eye Wash With Foot Pedal
9508312

No.	Code	Description	Qty
27	127	Chain	1
26	126	Shower head	1
25	125	Elbow	1
24	124	Pull handle	1
23	123	Ball valve lever	1
22	122	Ball valve	1
21	121	1.2 inch plug	1
20	120	Plug	1
19	119	Tee	1
18	118	Vertical washing pipe	1
17	117	Tee	1
16	116	Dust cap	2
15	115	Rosebox	2
14	114	Eye spray head	2
13	113	Wash eye bend	2
12	112	Flow regulator locking nut	2
11	111	Flow regulator spool	2
10	110	Demand regulator	1
09	109	Eyebath basin	1
08	108	Eye basin seat	1
07	107	Hand push plate	1
06	106	Hand push valve body	1
05	105	Waste assembly	1
04	104	Drain pipe	1
03	103	1-1/4 Drain tee	1
02	102	Foot pedal	1
01	101	Base	1

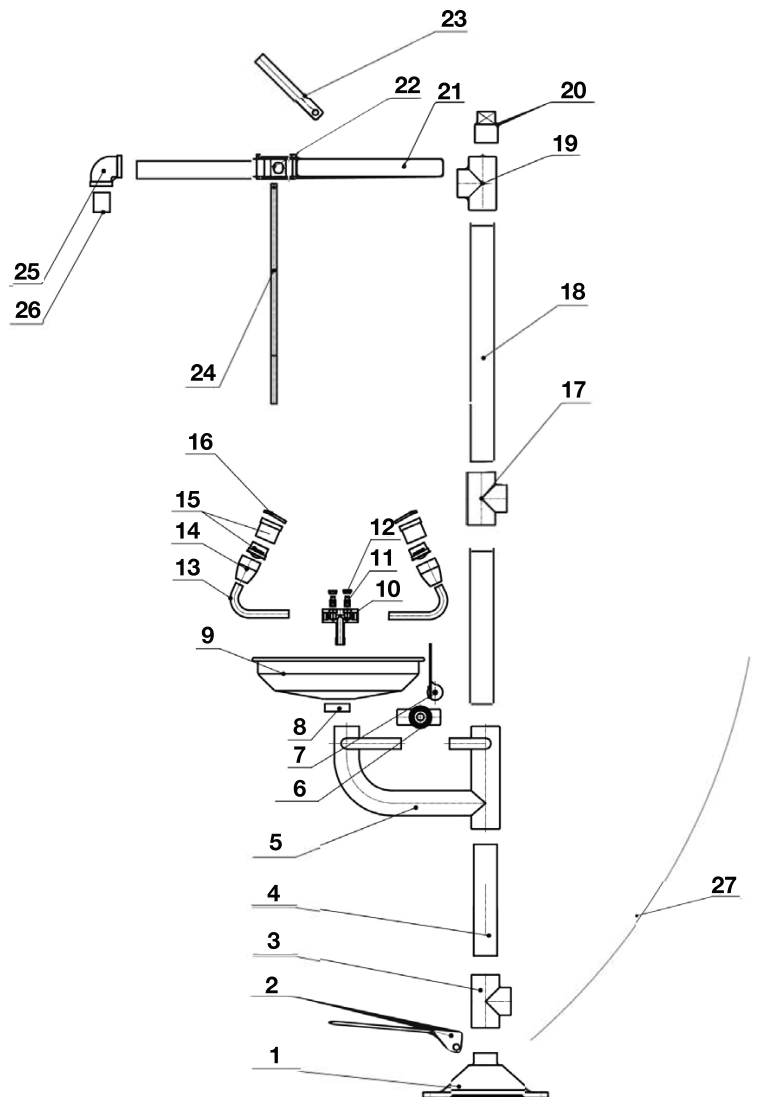
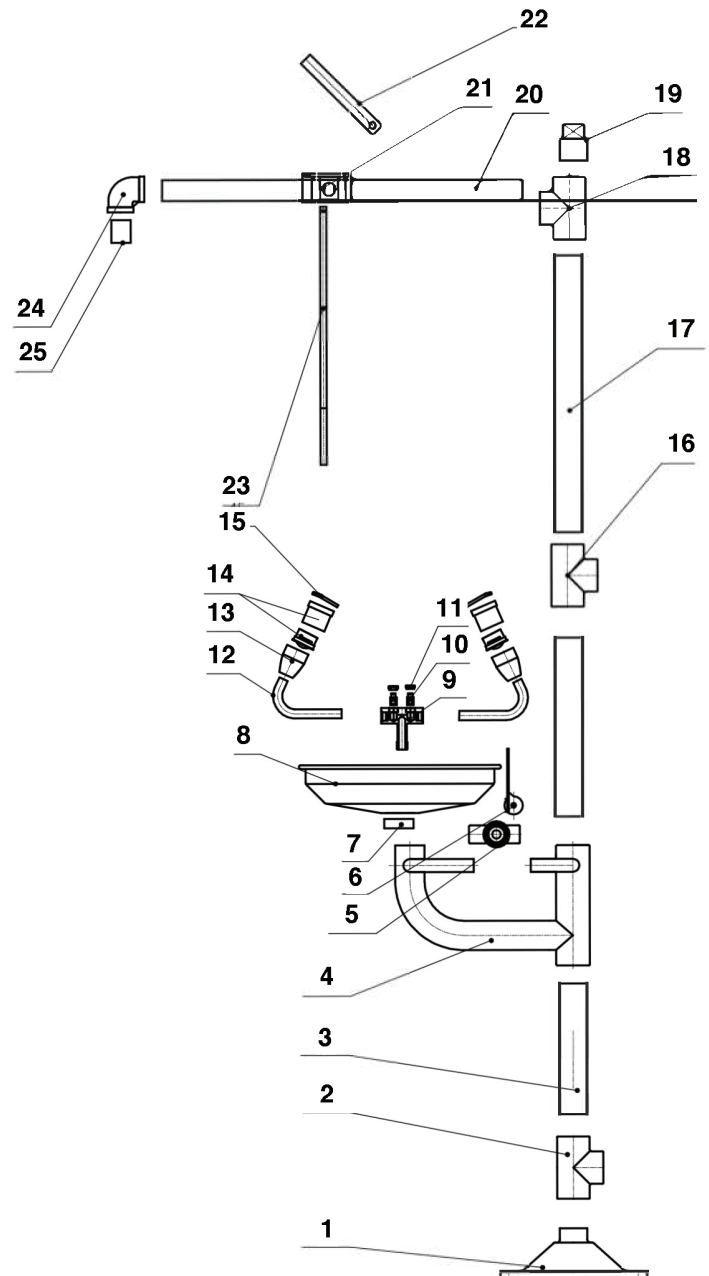


Fig. 2
Freestanding Safety Shower & Eye Wash

9508311

No.	Code	Description	Qty
25	152	Shower head	1
24	151	Elbow	1
23	150	Pull handle	1
22	149	Ball valve lever	1
21	148	Ball valve	1
20	147	1.2 inch pipe	1
19	146	Plug	1
18	145	Influent three-way	1
17	144	Vertical washing pipe	1
16	143	Tee	1
15	142	Dust cap	2
14	141	Rosebox	2
13	140	Eye spray head	2
12	139	Wash eye bend	1
11	138	Flow regulator locking nut	2
10	137	Flow regulator spool	1
09	136	Demand regulator	1
08	135	Eyebath basin	1
07	134	Eye basin seat	1
06	133	Hand push plate	1
05	132	Hand push valve body	1
04	131	Waste assembly	2
03	130	Drain pipe	1
02	129	1-1/4 Drain tee	1
01	128	Base	1



UNIT COMPONENTS

Fig. 3 Freestanding Safety Eye Wash With Foot Pedal
9508314

No.	Code	Description	Qty
12	164	Dust cap	2
11	163	Rosebox	2
10	162	Eye spray head	2
09	161	Wash eye bend	1
08	160	Eyebath basin	1
07	159	Chain	1
06	158	Hand push valve body	1
05	157	Eyewash push valve	1
04	156	Drain pipe	1
03	155	Drain tee	1
02	154	Foot pedal	1
01	153	Base	1

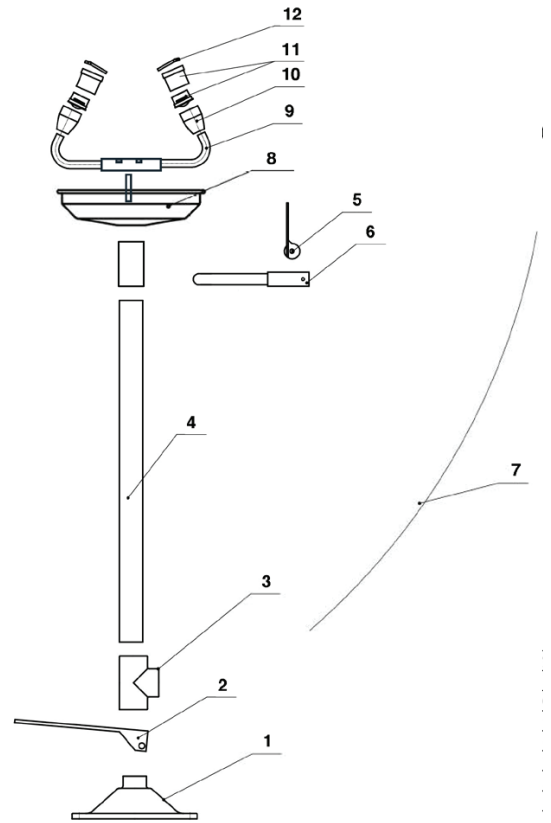


Fig. 4 Freestanding Safety Eye Wash
9508313

No.	Code	Description	Qty
11	173	Dust cap	2
10	172	Rosebox	2
09	171	Eye spray head	2
08	170	Wash eye bend	1
07	169	Eyebath basin	1
04	168	Eyewash push valve	1
03	167	Drain pipe	1
02	166	Drain tee	1
01	165	Base	1

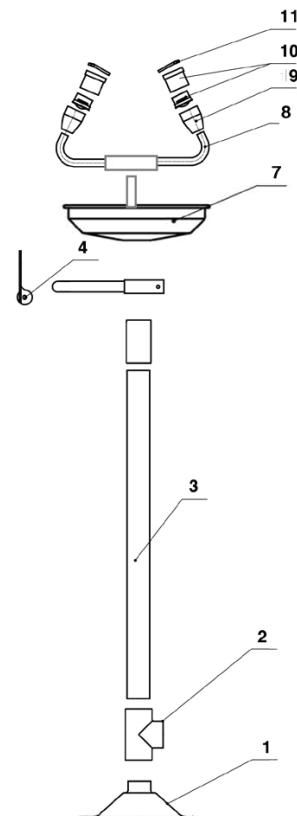


Fig. 5 Freestanding Safety Shower
9508318

No.	Code	Description	Qty
10	183	Elbow	1
09	182	Shower head	1
08	181	Ball valve Leaver	1
07	180	Ball valve	1
06	179	Pull handle	1
05	178	1 inch shower pipe	2
04	177	Inlet tee	2
03	176	Inlet pipe	3
02	175	Pipe bands	2
01	174	Base	1

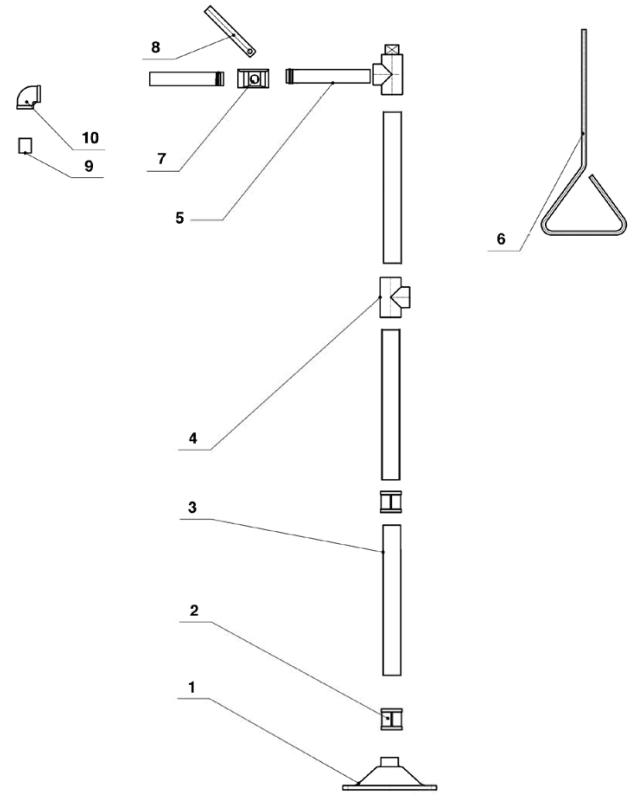
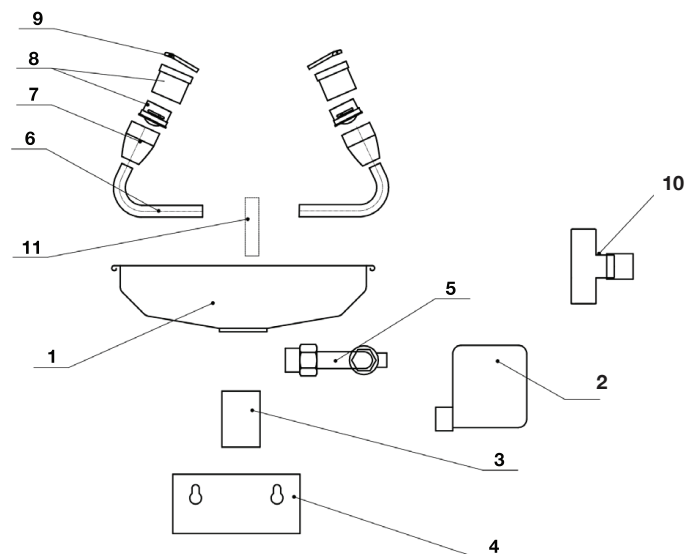


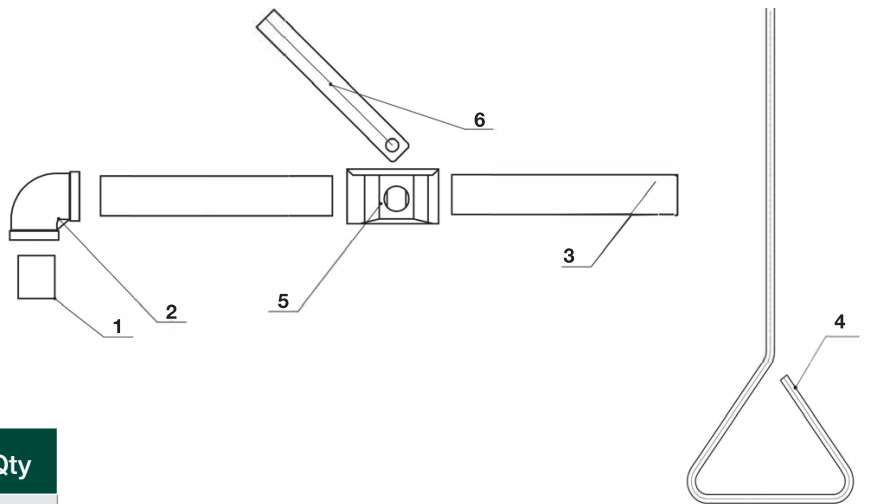
Fig. 6 Wall Mounted Safety Eye Wash
9508315

No.	Code	Description	Qty
11	194	3-point straight pipe	1
10	193	Eyewash push valve	1
09	192	Dust cap	1
08	191	Rosebox	2
07	190	Eye spray head	2
06	189	Wash eye bend	1
05	188	Eyewash push valve	1
04	187	Bracket to wall	1
03	186	Non-standard tee	1
02	185	Push handle	1
01	184	Eyebath basin	1



UNIT COMPONENTS

Fig. 7 Ceiling Mounted Safety Drench Shower
9508317



No.	Code	Description	Qty
06	200	Ball valve leaver	1
05	199	Ball valve	1
04	198	Pull handle	1
03	197	1 inch shower pipe	2
02	196	Elbow	1
01	195	Shower head	1

INSTALLATION INSTRUCTIONS

SHOWER AND EYE WASH WITH PEDAL 9508312

Location of Unit: The 9508312 Safety Shower and Eye Wash should be installed in close proximity to potential accident areas. It should be clearly identified, free from obstructions and easy to access.

Teflon tape and rubber grip is provided with every shower.

Supply Line: The minimum recommended line size is 1'1/4" BSP with 200 kPa - 500 kPa flowing pressure. Where sediment or mineral content is a problem, an inlet filter is recommended.

Plumbing Connections: Inlet supply is female 1-1/4" BSP. Waste outlet is female 1-1/4" BSP.

1. Mount base plate (Floor Flange-(1) to floor, mark the holes for the screws. Drill the concrete and screw the floor flange securely into the ground. (Dynabolts provided)
2. Screw F/F tee-(3) to base and connect Stainless Steel pipe (4) to the other end of the adapter.
3. Insert eye wash bowl over the eye wash loop, then screw eye wash (8) to seating and operating position.
4. Assemble push handle into the eye wash valve assembly (5) to the eye wash assembly (10).
5. Screw the eye wash assembly (5) to the Stainless-Steel pipe (4)
6. Screw-in riser pipe to the eye wash assembly.
7. Screw pipe (18) into tee (17).
8. Screw reduced tee (19) on to (18) pipe. Screw (20) plug into (19) tee.
9. Screw on ball valve (22) to the pipe (21).
10. Screw shower elbow (25) and pipe (28) to ball valve outlet (22).
11. Assemble pull handle (24) to ball valve and screw. The handle (should be in a 10 o'clock position when closed and pulled down to activate.
12. To install the foot pedal connection to the push handle: 1. Leave the foot pedal and the push handle in open position (parallel to the ground). 2. Connect chain between push handle (6) and pedal (2). The Push handle must be upright and the pedal should be raised when in a closed position.
13. Adjust the water flow for the Eye Wash by screwing/ unscrewing the screw(12) located in between the nozzles.

IMPORTANT INFORMATION

- Before installing the eye wash, check for any debris or Teflon excess that could block the nozzle of the eye wash.
- The eye wash flow shall be positioned with the flushing fluid nozzles not less than 838mm and no greater than 1143mm from the surface on which the user stands and 153 mm minimum from the wall or nearest obstruction. Test the shower before using.



INSTALLATION INSTRUCTIONS

SHOWER WITH EYE WASH 9508311

Location of Unit: The 9508311 Safety Shower should be installed in close proximity to potential accident areas. It should be clearly identified, free from obstructions and easy to access.

Teflon tape and rubber grip is provided with every shower.

Supply Line: The minimum recommended line size is 1'1/4" BSP with 200 kPa - 500 kPa flowing pressure. Where sediment or mineral content is a problem, an inlet filter is recommended.

Plumbing Connections: Inlet supply is female 1-1/4" BSP. Waste outlet is female 1-1/4" BSP.

1. Mount base plate (Floor Flange-(1) to floor, mark the holes for the screws. Drill the concrete and screw the floor flange securely into the ground.
2. Screw F/F tee-(2) to base and connect Stainless Steel pipe (3) to the other end of the adapter.
3. Insert eye wash bowl over the eye wash loop, then screw eye wash (8) to seating and operating position.
4. Assemble push handle into the eye wash valve assembly (5) to the eye wash assembly (4).
5. Screw the eye wash assembly (4) to the Stainless-Steel pipe (3).
6. Screw-in riser pipe to the eye wash assembly (4).
7. Screw riser pipe into tee (16)
8. Screw reduced tee (16) on to (17) pipe. Screw(19) plug into (18) tee.
9. Screw on ball valve (21) to the pipe (20).
10. Screw shower elbow (24) and pipe into ball valve outlet (21).
11. Assemble pull handle (23) to ball valve and screw. The handle (should be in a 10 o'clock position when closed and pulled down to activate).
12. Adjust the water flow for the Eye Wash by screwing/ unscrewing the screw(12) located in between the nozzles.

IMPORTANT INFORMATION

- Before installing the eye wash, check for any debris or Teflon excess that could block the nozzle of the eye wash.
- The eye wash flow shall be positioned with the flushing fluid nozzles not less than 838mm and no greater than 1143mm from the surface on which the user stands and 153 mm minimum from the wall or nearest obstruction.



FREESTANDING SHOWER ONLY 9508318

Location of Unit: The 9508318 Safety Shower should be installed in close proximity to potential accident areas. It should be clearly identified, free from obstructions and easy to access.

Supply Line: The minimum recommended line size is 1 1/4" BSP with 200 kPa - 500 kPa flowing pressure. Where sediment or mineral content is a

problem, an inlet filter is recommended.

Plumbing Connections: Inlet supply is female 1-1/4" BSP. Waste outlet is female 1-1/4" BSP.

1. Mount base plate (Floor Flange-(1) to floor, mark the holes for the screws. Drill the concrete and screw the floor flange securely into the ground. (Dynabolts provided)
2. Screw F/F tee-(2) to base and connect Stainless Steel pipe (3) to the other end of the adaptor.
3. Screw the second tee connector the stainless steel pipe.
4. Screw reduced tee (4) on to (18) pipe. Screw (20) plug into (19) tee.
5. Screw reduced tee (5) on to pipe. Screw plug into the tee.
6. Screw on ball valve (7) to the pipe (5).
7. Screw shower elbow (10) and the connecting pipe to ball valve outlet (7).
8. Assemble pull handle (6) to ball valve (7) and screw. The handle (should be in a 10 o'clock position when closed and pulled down to activate.



INSTALLATION INSTRUCTIONS

FREESTANDING EYE WASH 9508313/9508314

Location of Unit: The 9508313/9508314 Eye Wash should be installed in close proximity to potential accident areas. It should be clearly identified, free from obstructions and easy to access.

Supply Line: The minimum recommended line size is 1/2" BSP with 200 kPa - 500 kPa flowing pressure. Where sediment or mineral content is a problem, an inlet filter is recommended.

Plumbing Connections: Inlet supply is female 1/2" BSP. Waste outlet is female 1/2" BSP.

1. Mount base plate (Floor Flange-(1) to floor, mark the holes for the screws. Drill the concrete and screw the floor flange securely into the ground.
2. Screw tee to base plate. For foot pedal model (9508314), ensure tee is facing the correct direction.
3. Screw 615mm Stainless Steel pipe to tee on base plate.
4. Screw tee onto Stainless Steel pipe.
5. Insert eye wash bowl over the eye wash loop, then screw eye wash (8) to seating and operating position.
6. Screw on the push handle into the eye wash valve assembly (6) to the eye wash assembly (9).
7. Screw the eye wash assembly (9) to the Stainless-Steel pipe (4)
8. Adjust the water flow by screwing/ unscrewing the screw located in between the nozzles.
9. Screw on push handle.
10. For foot pedal model (9508314), connect chain between push handle and pedal.
11. To install the foot pedal connection to the push handle, firstly, Leave the foot pedal and the push handle in open position (parallel to the ground). Connect chain between push handle (5) and pedal (2). The Push handle must be upright and the pedal should be raised when in a closed position.

IMPORTANT INFORMATION

- Before installing the eye wash, check for any debris or Teflon excess that could block the nozzle of the eye wash.
- The eye wash flow shall be positioned with the flushing fluid nozzles not less than 838mm and no greater than 1143mm from the surface on which the user stands and 153 mm minimum from the wall or nearest obstruction.



WALL MOUNTED EYE WASH 9508315

Location of Unit: The 9508315 Eye Wash should be installed in close proximity to potential accident areas. It should be clearly identified, free from obstructions and easy to access.

Supply Line: The minimum recommended line size is 1/2" BSP/with 200 kPa - 500 kPa flowing pressure. Where sediment or mineral content is a problem, an inlet filter is recommended.

Plumbing Connections: Inlet supply is female 1/2" BSP. Waste outlet is female 1/2" BSP.

1. Drill the wall positioned in adherence to AS/NZ 4775 (make sure the wall -surface can hold the Eye wash bracket)
2. Mount wall bracket (4) to wall securely, positioned in adherence to AS/NZ 4775.
3. Screw tee (3) to wall bracket (4).
4. Insert eye wash bowl over the eye wash loop, then screw eye wash (1) to seating and operating position.
5. Screw on the push handle (2) into the eye wash valve assembly (5), connect to the eye wash assembly (10).
6. Screw the eye wash assembly (10) to the Stainless-Steel pipe - tee (3).
7. Adjust the water flow by screwing/ unscrewing the screw located in between the nozzles.
8. Connect inlet to male 1/2" BSP.
9. Screw on push handle (2) to main eye wash assembly (3).
10. Waste outlet can be connected to the sewer or left as if for free flow drainage.

IMPORTANT INFORMATION

- Before installing the eye wash, check for any debris or Teflon excess that could block the nozzle of the eye wash.
- The eye wash flow shall be positioned with the flushing fluid nozzles not less than 838mm and no greater than 1143mm from the surface on which the user stands and 153 mm minimum from the wall or nearest obstruction.



INSTALLATION INSTRUCTIONS

WALL SHOWER ONLY 9508316

Location of Unit: The 9508316 Safety Shower should be installed in close proximity to potential accident areas. It should be clearly identified, free from obstructions and easy to access.

Supply Line: The minimum recommended line size is 1" BSP with 200 kPa - 500 kPa flowing pressure. Where sediment or mineral content is a problem, an inlet filter is recommended.

Plumbing Connections: Inlet supply is female 1" BSP. Waste outlet is female 1" BSP.

1. Measure the shower height, It must be in accordance with AS/NZ 4775.
2. Connect the fixed base and Stainless Steel pipe to the exposed female inlet supply using the thread tape.
3. Screw on ball valve. Screw the handle in in the valve operating switch. The handle should be in a 10 o'clock position when closed and pulled down to activate (see Picture)
4. Screw shower elbow and pipe to ball valve outlet.



CEILING SHOWER 9508317

Location of Unit: The 9508317 Safety Shower should be installed in close proximity to potential accident areas. It should be clearly identified, free from obstructions and easy to access.

Supply Line: The minimum recommended line size is 1" BSP with 200 kPa - 500 kPa flowing pressure. Where sediment or mineral content is a problem, an inlet filter is recommended.

Plumbing Connections: Inlet supply is female 1" BSP. Waste outlet is female 1" BSP.

1. Connect the fixed base and Stainless Steel pipe to the exposed female inlet supply.
2. Screw on ball valve. The handle should be in a 2 o'clock position when closed and pulled down to activate.
3. Screw stainless steel pipe to ball valve outlet.
4. Screw shower head onto stainless steel pipe.
5. Fit pull handle to ball valve.



REECE PRODUCT QUALITY GUARANTEE



You have purchased a quality product from Reece Australia Pty Ltd ABN 84 004 097 090 (“Reece”). This product is covered by a 5 year replacement product warranty and a 12 month warranty over spare parts and labour.

5 YEAR WARRANTY

This warranty covers faults in the product construction, material and assembly. Products which are within 5 years from the date of purchase, found upon inspection by an authorised Reece representative, to be defective in construction, material or assembly, will be repaired or exchanged with an equivalent product free of charge. Replaced items become Reece’s property.

All replacement products will be available for collection without charge to the customer at the nearest Reece branch to the customer’s location, or elsewhere as agreed between the customer and Reece.

Labour and Spare Parts

The labour for the replacement of products and spare parts to which this warranty applies will be supplied by Reece or relevant supplier using licensed plumbers engaged by Reece or relevant supplier within 1 year from the date of purchase. Spare parts other than those listed in the Manufacturer’s Provisions above, which are within 1 year from the date of purchase found upon inspection by an authorised Reece representative to be defective in construction, material or assembly, will be replaced free of charge.

Warranty Conditions

This warranty will apply only under all of the following conditions:

- The item has been installed by a licensed plumber
- Failure is due to a fault in the manufacture of the product
- Proof of purchase (including the date of purchase) is provided
- The installation of the product is in accordance with the instructions provided

This warranty does not cover products purchased as an ex-display without being fully checked and tested for sale by the manufacturer.

This warranty does not include faults caused by:

- Unsuitable or improper use
- Incorrect installation or installation not in accordance with the instructions provided
- Installation or part installation by the purchaser or any person other than a LICENSED PLUMBER
- Normal wear and tear
- Inadequate or complete lack of maintenance
- Chemical, electrochemical or electrical influences
- Harsh detergents or abrasive cleaners used on product finishes

EXCLUSIONS

To the fullest extent permitted by law, Reece excludes all liability for damage or injury to any person, damage to any property, and any indirect consequential or other loss or damage.

CLAIM PROCEDURE

For all warranty queries customers are to contact the branch where the product was purchased. These details can be found on your purchase invoice.

Our goods come with guarantees that cannot be excluded under the Australian Consumer Law. You are entitled to a replacement or refund for a major failure and for compensation for any other reasonably foreseeable loss or damage. You are also entitled to have the goods repaired or replaced if the goods fail to be of acceptable quality and the failure does not amount to a major failure.

Don’t risk it, use a licensed plumber.™

IF AFTER CHECKING THE
INSTALLATION INSTRUCTIONS
AND IMPORTANT
INFORMATION, THE PROBLEM
HAS NOT BEEN IDENTIFIED,
PLEASE CONTACT GENTEC
CUSTOMER SUPPORT ON:

+61 2 9319 4422 or
info@gentecaustralia.com.au



WOLFEN™

reece.com.au/wolfen