

memo

LET THAT  
SINK IN



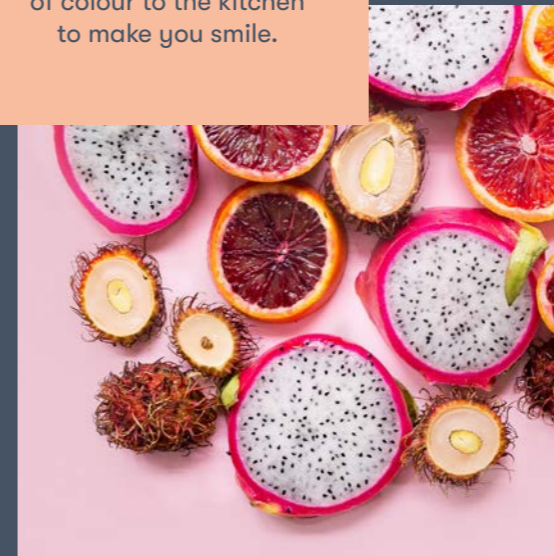
memo

## The ingredients for a happy kitchen

Memos are all about sharing the important stuff. Simple. Helpful. Honest. And that's what our products are all about. Just beautiful quality and clever little touches that bring joy to the simple moments in the kitchen. Like sinks so striking they'll make you want to do the dishes. Memo brings you products so unique, they have their own personalities.

### BRIGHTER THAN FRUIT SALAD

We're bringing a splash of colour to the kitchen to make you smile.



### TOUGHER THAN COCONUTS

Our sinks are incredibly durable so they'll look great for years to come.



### THE RIGHT MIXTURE

Add matching accessories guaranteed to make cooking prep easier.

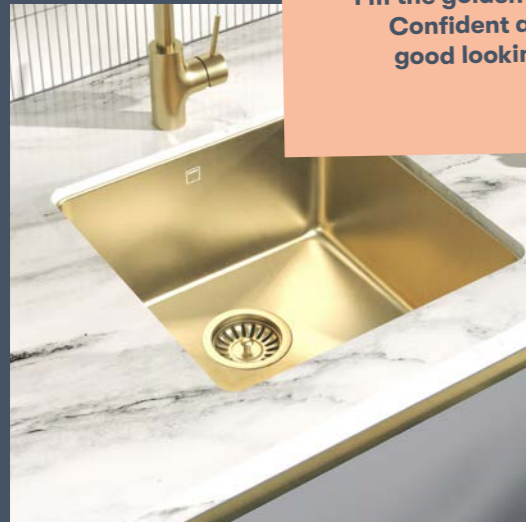


# MEET THE FAMILY

That's right, we love our products so much, we actually named them like our own kids. They're all unique in their own way. So after months of designing and refining please meet Zenna, Oscar, Hugo, Harper, Freya and Isla.

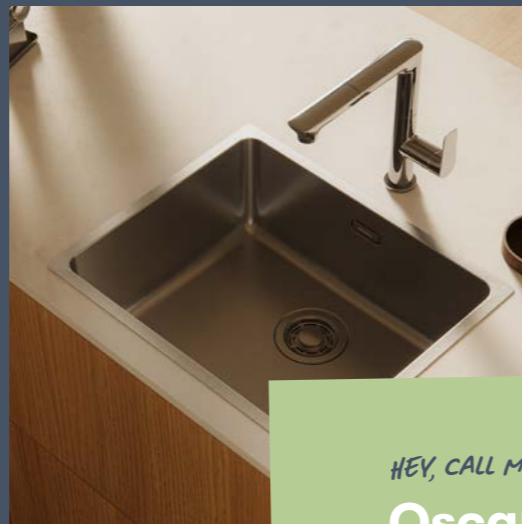
HI I'M  
**Zenna**

I'm the golden child.  
Confident and good looking.



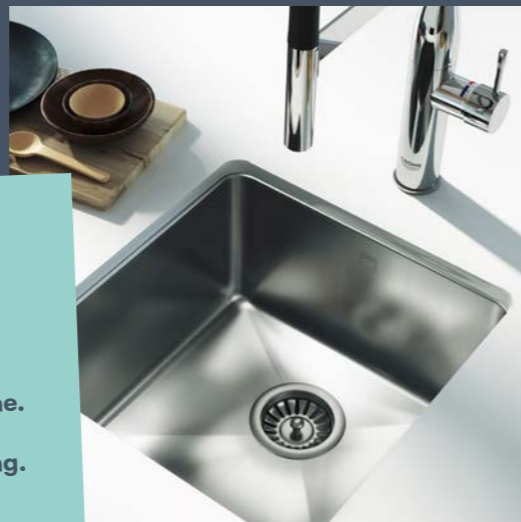
HEY, CALL ME  
**Oscar**

I'm the social one,  
and I fit in anywhere.  
Whatever your plans,  
count me in.



HOWDY I'M  
**Hugo**

I'm the easy going one.  
I'll just fit in with  
whatever you're doing.



HEY THERE I'M  
**Freya**

I'm the strong  
one. My bold  
look never goes  
out of style.



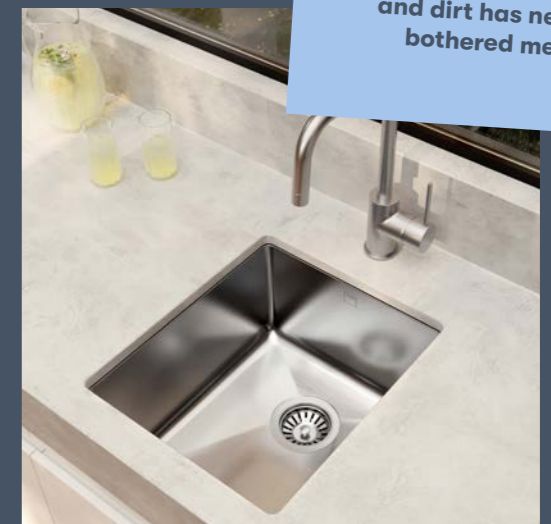
HELLO I'M  
**Harper**

It's nice to make  
your acquaintance.  
I'm a lover of the  
classics.



G'DAY I'M  
**Isla**

I love the outdoors.  
A bit of sea salt  
and dirt has never  
bothered me.



# The right one for you

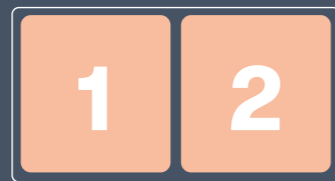
## *SINKS MADE SIMPLE*

### Step 1 How many bowls do you need?



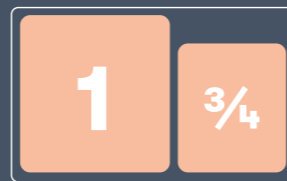
#### One Bowl

If space is at a premium or you'd just like to maximise your bench space, one bowl could be the ideal option.



#### Two Bowls

Suited to family homes with plenty of dishes and food prep, you can't beat a double sink.



#### 1 3/4 Bowls

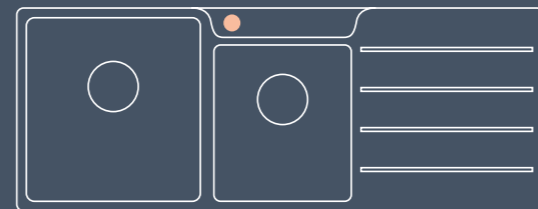
Big on practicality with similar functionality to a double bowl sink but with a smaller footprint.

### Step 2 Need a drainer or taphole?



#### Drainer

A drainer is handy for stacking wet dishes to dry after washing.



#### Taphole

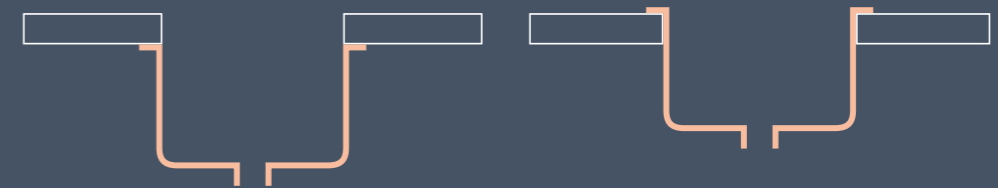
If you want your mixer mounted in your sink, you'll need a taphole built in. Alternatively, choose one without a taphole if you want to mount your mixer into your benchtop or on the wall.

### Step 3 Are you a lefty or a righty?



Think about your sink layout in relation to other appliances in your kitchen as well as your washing and drying process. Wash on the left and dry on the right, or the other way around?

### Step 4 Undermount or inset?

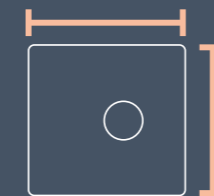


#### Undermount

#### Inset

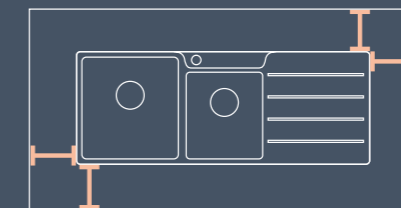
Most sinks are either designed to be undermount or inset into the benchtop. Memo sinks, on the other hand, can be installed either way for added versatility. This makes choosing the right one a little easier.

### Step 5 What's the best fit?



#### Dimensions

You want a sink, that is not only proportional to your kitchen but also caters to all the items you need to wash, such as oven trays and large pots and pans.



#### Cabinet Size

It might go without saying but make sure the width of your sink bowls are within the internal dimensions of your cabinet underneath.



#### Think Deep

Deeper sinks allow you to wash larger dishes but will take up more internal cabinet space underneath. Decide which is more important to you.

## Zenna

### THE ATTRACTION OF COLOUR

Nature lures animals with colour, which is why bees are drawn to beautiful flowers. We do the same with our incredible metallic colours. What better way to make a sink desirable than brilliant brass? And if brass ain't your thing, Zenna also comes in striking stainless steel, smoking hot gunmetal, elegant nickel and beautiful bronze.

Bananas are berries  
but strawberries aren't.

LET THAT  
SINK IN

# DEEPER THINKING

Designed to handle the largest pots and dishes with ease.



Zenna Single Bowl

## Zenna Single Bowl

The Zenna Single Sink brings you thoroughly modern design in a compact footprint.



Available in brass, nickel, stainless steel, gunmetal and bronze finishes

Can be installed inset or undermount

Brass, nickel, gunmetal and bronze sinks supplied with matching grid and waste cover

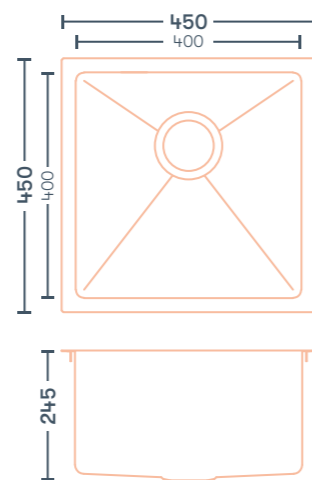
High quality Stainless Steel (304 Grade)

Rear waste position creates space under counter

1.2mm gauge

Sound deadening pads for a quieter kitchen

Anti-condensation coating prevents moisture underneath



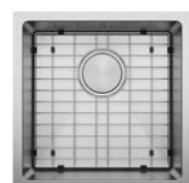
### Single No Taphole

450mm x 450mm

2402721, 2402724, 2402886, 2402888, 9512421



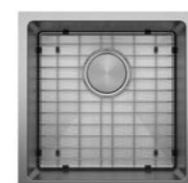
Zenna Single Brass



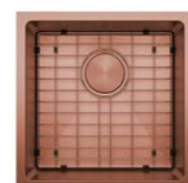
Zenna Single Nickel



Zenna Single Stainless Steel



Zenna Single Gunmetal



Zenna Single Bronze

## Zenna Single Extended

From big parties to everyday moments, Zenna's Single Extended sink makes cleaning up a breeze.



Available in brass, nickel, stainless steel, gunmetal and bronze finishes

Can be installed inset or undermount

Brass, nickel, gunmetal and bronze sinks supplied with matching grid and waste cover

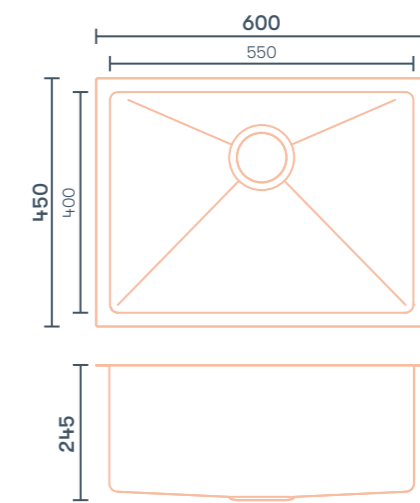
High quality Stainless Steel (304 Grade)

Rear waste position creates space under counter

1.2mm gauge

Sound deadening pads for a quieter kitchen

Anti-condensation coating prevents moisture underneath



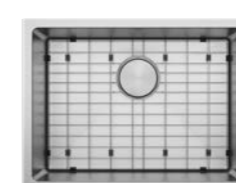
### Single Extended No Taphole

600mm x 450mm

43978, 43979, 43980, 43981, 43982



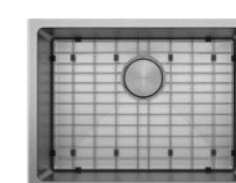
Zenna Single Brass



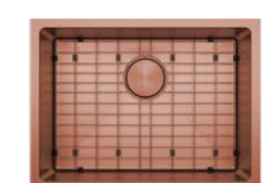
Zenna Single Nickel



Zenna Single Stainless Steel



Zenna Single Gunmetal



Zenna Single Bronze

## Zenna 1 3/4 Bowl

When you want the convenience of two sinks but you're tight on space, the 1 3/4 is ideal.



Available in brass, nickel, stainless steel, gunmetal and bronze finishes

Can be installed inset or undermount

Brass, nickel, gunmetal and bronze sinks supplied with matching grids and waste covers

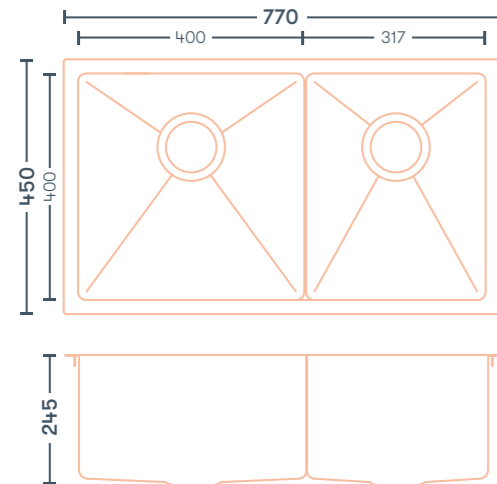
High quality Stainless Steel (304 Grade)

Rear waste position creates space under counter

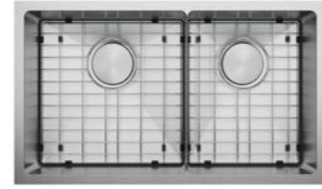
1.2mm gauge

Sound deadening pads for a quieter kitchen

Anti-condensation coating prevents moisture underneath



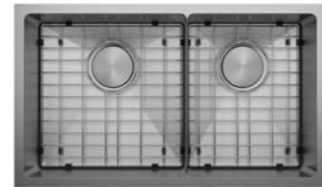
Zenna 1 3/4 Brass



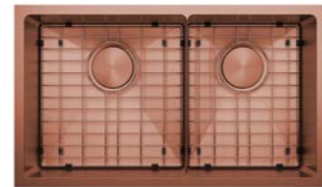
Zenna 1 3/4 Nickel



Zenna 1 3/4 Stainless Steel



Zenna 1 3/4 Gunmetal



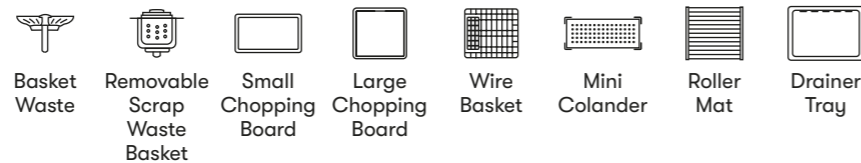
Zenna 1 3/4 Bronze

## 1 3/4 No Taphole

770mm x 450mm

2402722, 2402725, 2402887,  
2402889, 9512422

### Memo Accessories



#### Compatibility

Zenna Single	✓	✓	✓	✓	✓	✓	✓	✓
Zenna Single Extended	✓	✓	✓	✓	✓	✓	✓	✓
Zenna 1 3/4	✓	✓	✓	✓	✓	✓	✓	✓
Zenna Double	✓	✓	✓	✓	✓	✓	✓	✓

#### Finishes



**THIN  
IS IN**

Zenna's super thin  
divider prevents water  
pooling on top.

## Zenna Double Bowl

Two sinks mean double the convenience when prepping or washing up.



Available in brass, nickel, stainless steel, gunmetal and bronze finishes

Can be installed inset or undermount

Brass, nickel, gunmetal and bronze sinks supplied with matching grids and waste covers

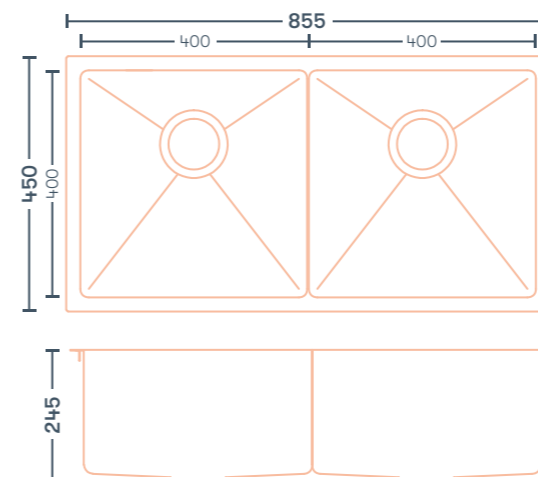
High quality Stainless Steel (304 Grade)

Rear waste position creates space under counter

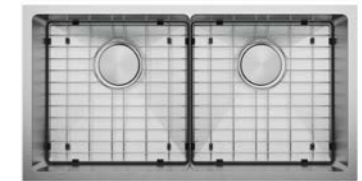
1.2mm gauge

Sound deadening pads for a quieter kitchen

Anti-condensation coating prevents moisture underneath



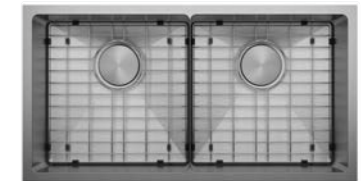
Zenna Double Brass



Zenna Double Nickel



Zenna Double Stainless Steel



Zenna Double Gunmetal



Zenna Double Bronze

## Double No Taphole

855mm x 450mm

9512423, 9511852, 2402723,  
9511853, 9511854

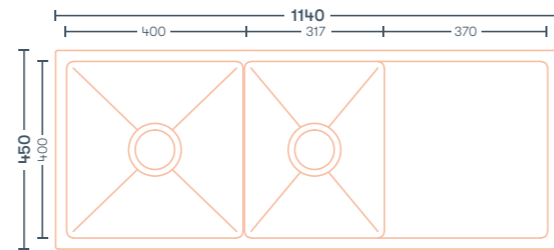
# Zenna Single, 1 3/4 and Double Bowl with Drainer

Make the most of your space with a combined sink and drainer in one.

- Available in stainless steel
- Reversible design
- Can be installed inset or undermount
- High quality Stainless Steel (304 Grade)
- Centre waste position
- 1.2mm gauge
- Sound deadening pads for a quieter kitchen
- Anti-condensation coating prevents moisture underneath



Zenna 1 3/4 Bowl with Drainer

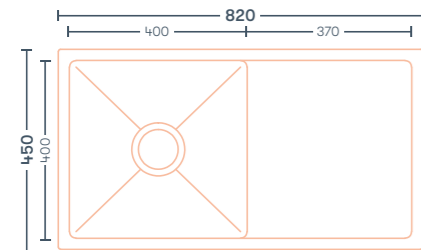


## 1 3/4 Drainer No Taphole

1140mm x 450mm  
2403112



Zenna Single Bowl with Drainer

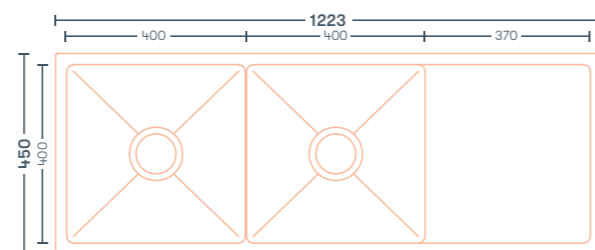


## Single Drainer No Taphole

820mm x 450mm  
2403110



Zenna Double Bowl with Drainer

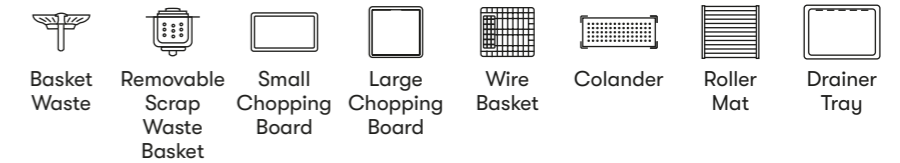


## Double Drainer No Taphole

1223mm x 450mm  
2403111



### Memo Accessories



### Compatibility

	Basket Waste	Removable Scrap Waste Basket	Small Chopping Board	Large Chopping Board	Wire Basket	Colander	Roller Mat	Drainer Tray
Zenna Single Drainer	✓	✓	✓	✓	✓	✓	✓	✓
Zenna 1 3/4 Drainer	✓	✓	✓	✓	✓	✓	✓	✓
Zenna Double Drainer	✓	✓	✓	✓	✓	✓	✓	✓

### Finishes





## Oscar

### *FITS IN ANYWHERE*

From casual to formal settings, you can't go wrong with Oscar. Made from durable stainless steel, Oscar serves up stylish rounded corners and a silky, easy clean finish. Plus with 13 configurations to choose from, you can count Oscar in, whatever the space.

There are over 600 pasta shapes, each designed to pair perfectly with specific sauces.

*LET THAT  
SINK IN*



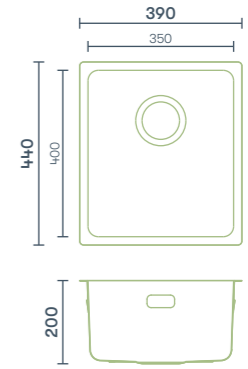
## Oscar Single Bowl

Compact, clever, and practical – perfect for kitchens, pantries, and laundries.

- High quality Stainless Steel (304 Grade)
- Built-in overflow for peace of mind
- No taphole can be installed inset or undermount
- Taphole configurations can be installed inset only
- Easy grip waste
- Rear waste position creates space under counter
- Sound deadening pads for a quieter kitchen
- 1.0mm gauge
- Anti-condensation coating prevents moisture under the sink



Oscar Single Compact  
Overflow  
No Taphole

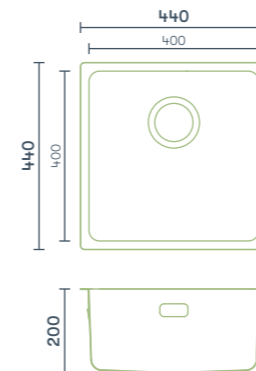


### Single Compact Overflow No Taphole

**390mm x 400mm**  
36356



Oscar Single  
Overflow  
No Taphole

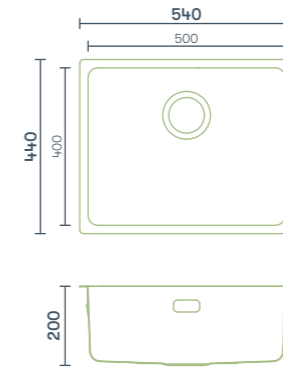


### Single Overflow No Taphole

**440mm x 400mm**  
36358



Oscar Single Extended  
Overflow  
No Taphole

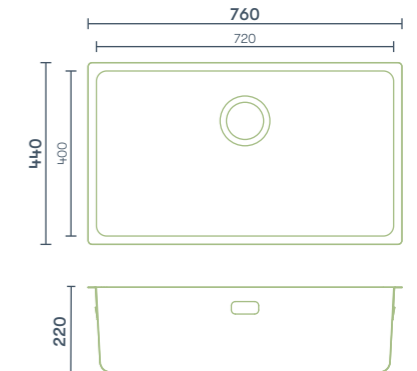


### Single Extended Overflow No Taphole

**540mm x 400mm**  
36360



Oscar Single Mega Overflow  
Overflow  
No Taphole



### Single Mega Overflow No Taphole

**760mm x 400mm**  
36362

**BUILT  
TO LAST**

High quality stainless  
steel delivers long-life  
durability.

## Oscar

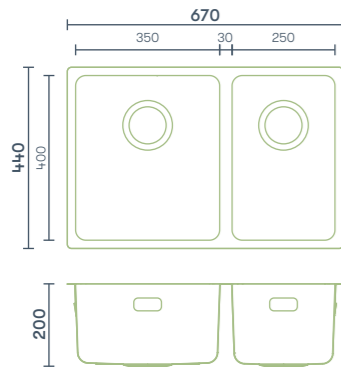
# Double and 1 & 1/2 Bowl

From family feasts to baking marathons, Oscar's generous bowls are designed to handle it all.

- High quality Stainless Steel (304 Grade)
- Built-in overflow for peace of mind
- No Taphole can be installed inset or undermount
- Taphole configurations can be installed inset only
- Easy grip waste
- Rear waste position creates space under counter
- Sound deadening pads for a quieter kitchen
- 1.0mm gauge
- Anti-condensation coating prevents moisture under the sink



Oscar 1 & 1/2 Bowl  
Overflow  
No Taphole

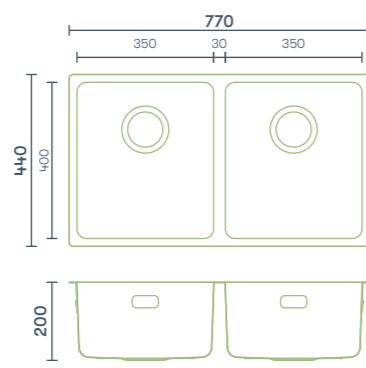


**1 & 1/2 Bowl  
Overflow  
No Taphole**

670mm x 400mm  
36363



Oscar Double Bowl  
Overflow  
No Taphole

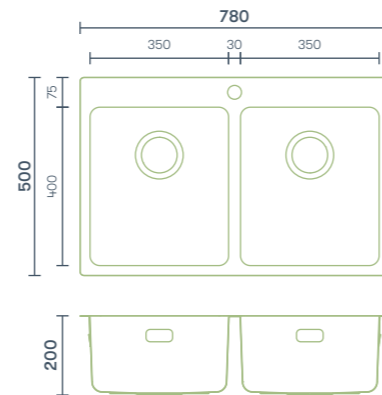


**Double Bowl  
Overflow  
No Taphole**

770mm x 400mm  
36364



Oscar Double Bowl  
Overflow  
1 Taphole



**Double Bowl  
Overflow  
1 Taphole**

780mm x 400mm  
36365



**EASY AS**  
Oscar's easy grip waste offer a sleek addition to your sink space.

# Oscar Single and 1 1/3 Bowl With Drainer

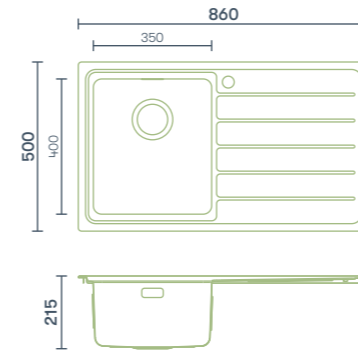
A sink with drainer makes washing and drying dishes a breeze.

- High quality Stainless Steel (304 Grade)
- Built-in overflow for peace of mind
- No Taphole can be installed inset or undermount
- Taphole configurations can be installed inset only
- Easy grip waste
- Rear waste position creates space under counter
- Sound deadening pads for a quieter kitchen
- 1.0mm gauge
- Anti-condensation coating prevents moisture under the sink

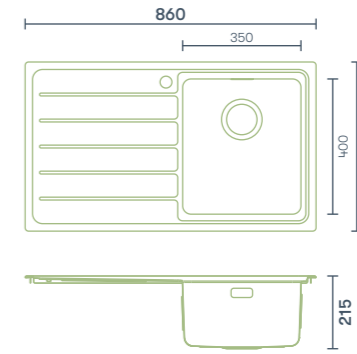
**FITS IN ANYWHERE**  
With 13 versatile configurations, it's ready for any space.



Oscar Single Left Hand Bowl with Drainer Overflow  
1 Taphole



Oscar Single Right Hand Bowl with Drainer Overflow  
1 Taphole



## Single Drainer LHB Overflow 1 Taphole

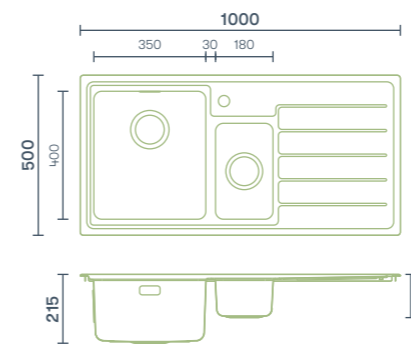
860mm x 500mm  
36366

## Single Drainer RHB Overflow 1 Taphole

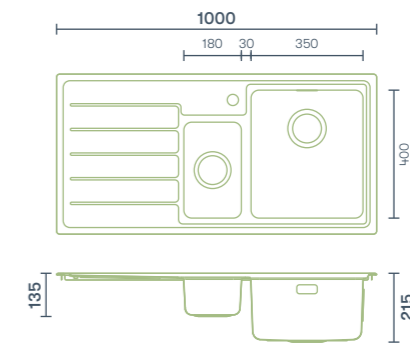
860mm x 500mm  
36367



Oscar 1 1/3 Left Hand Bowl with Drainer Overflow  
1 Taphole



Oscar 1 1/3 Right Hand Bowl with Drainer Overflow  
1 Taphole



## 1 1/3 LHB with Drainer Overflow 1 Taphole

1000mm x 500mm  
36368

## 1 1/3 RHB with Drainer Overflow 1 Taphole

1000mm x 500mm  
36369



# Oscar 1 ½ Bowl With Drainer

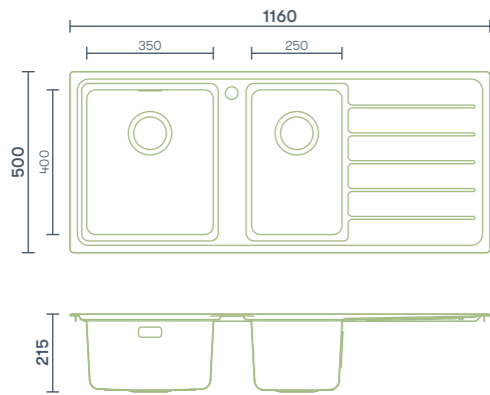
Two sinks plus a drainer make meal prep and cleanup easy, even in bustling kitchens.

- High quality Stainless Steel (304 Grade)
- Built-in overflow for peace of mind
- No Taphole can be installed inset or undermount
- Taphole configurations can be installed inset only
- Easy grip waste
- Rear waste position creates space under counter
- Sound deadening pads for a quieter kitchen
- 1.0mm gauge
- Anti-condensation coating prevents moisture under the sink

*YOUR QUIET COMPANION*  
Sound deadening pads under our sinks absorb noise for quieter living.



Oscar 1 ½ Left Hand Bowl with Drainer  
Overflow  
1 Taphole

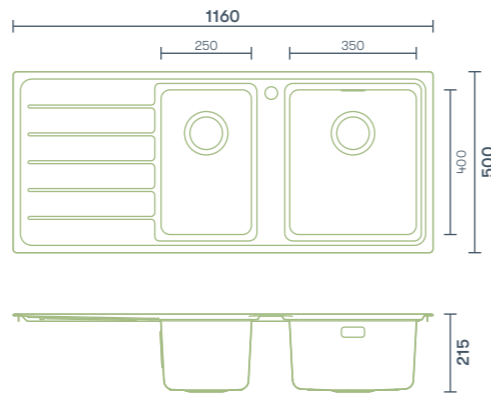


**1 ½ Drainer LHB**  
Overflow  
1 Taphole

1160mm x 500mm  
36435



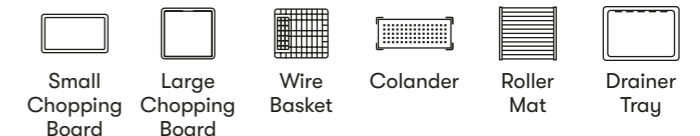
Oscar 1 ½ Right Hand Bowl with Drainer  
Overflow  
1 Taphole



**1 ½ Drainer RHB**  
Overflow  
1 Taphole

1160mm x 500mm  
36436

## Memo Accessories



### Compatibility

	Small Chopping Board	Large Chopping Board	Wire Basket	Colander	Roller Mat	Drainer Tray
Oscar 350 Single No Taphole	✓	✗	✗	✓	✓	✓
Oscar 400 Single No Taphole	✓	✓	✓	✓	✓	✓
Oscar 500 Single No Taphole	✓	✓	✓	✓	✓	✓
Oscar Double Bowl No Taphole	✓	✗	✗	✓	✓	✓
Oscar Double Bowl 1 Taphole	✓	✗	✗	✓	✓	✓
Oscar 1 ½ No Taphole	✓	✗	✗	✓	✓	✓
Oscar 1 ½ 1 Taphole	✓	✗	✗	✓	✓	✓
Oscar Mega Bowl No Taphole	✓	✓	✓	✓	✓	✓
Oscar Single LHB Drainer No Taphole	✓	✗	✗	✓	✓	✓
Oscar Single LHB Drainer 1 Taphole	✓	✗	✗	✓	✓	✓
Oscar Single RHB Drainer No Taphole	✓	✗	✗	✓	✓	✓
Oscar Single RHB Drainer 1 Taphole	✓	✗	✗	✓	✓	✓
Oscar 1 ½ LHB Drainer No Taphole	✓	✗	✗	✓	✓	✓
Oscar 1 ½ RHB Drainer No Taphole	✓	✗	✗	✓	✓	✓
Oscar 1 ½ LHB Drainer 1 Taphole	✓	✗	✗	✓	✓	✓
Oscar 1 ½ RHB Drainer 1 Taphole	✓	✗	✗	✓	✓	✓

### Finishes





## Hugo

### READY FOR ANYTHING

Hugo is like the Bear Grylls of sinks – able to handle every situation. Available in 17 different options, there's a Hugo design that's perfect for you. Made in tough stainless steel, Hugo will help you make the most of your kitchen space every day.

There are over 200 varieties of potatoes and they can be cooked 15 different ways. That's more than 3000 combinations.

LET THAT  
SINK IN



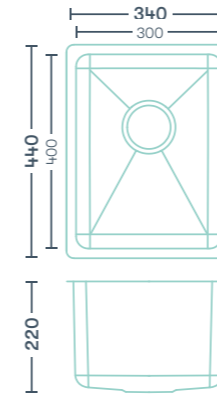
## Hugo Single Bowl

A compact single bowl design that's ideal for small kitchens, butler's pantries and laundries.

- High quality Stainless Steel (304 Grade)
- No taphole can be installed inset or undermount
- Taphole configurations can be installed inset only
- Rear waste position creates space under counter
- 1.2mm gauge
- Sound deadening pads for a quieter kitchen
- Anti-condensation coating prevents moisture underneath



Hugo Single Compact  
No Taphole

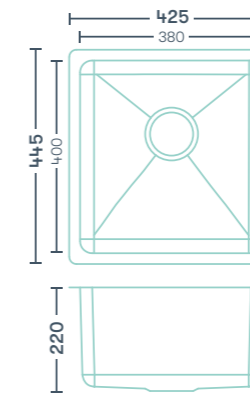


**Single Compact  
No Taphole**

**440mm x 340mm**  
2402708



Hugo Single  
No Taphole

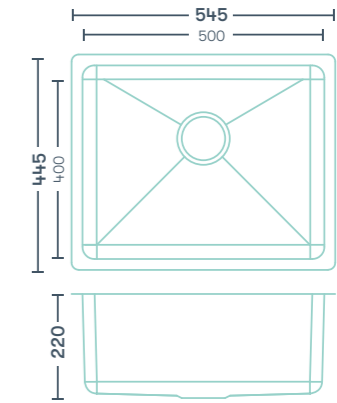


**Single  
No Taphole**

**445mm x 425mm**  
2402704



Hugo Single Extended  
No Taphole

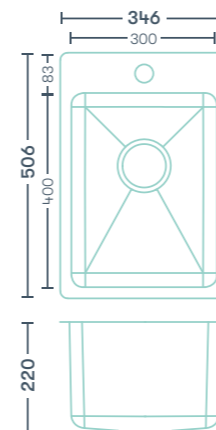


**Single Extended  
No Taphole**

**545mm x 445mm**  
2402705



Hugo Single Compact  
1 Taphole

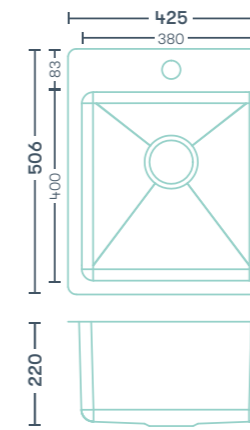


**Single Compact  
1 Taphole**

**506mm x 346mm**  
2402710



Hugo Single  
1 Taphole

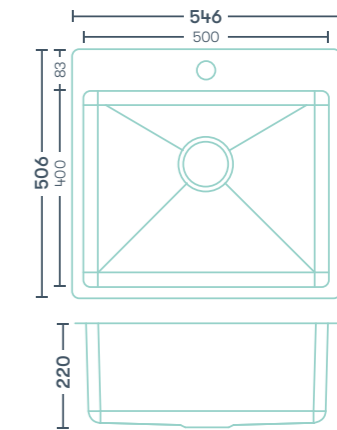


**Single  
1 Taphole**

**425mm x 506mm**  
2407116



Hugo Single Extended  
1 Taphole



**Single Extended  
1 Taphole**

**546mm x 506mm**  
2402709



**STRONGER THAN MOST**  
 Crafted from thick, 1.2 mm stainless steel, Hugo is built to last a lifetime.

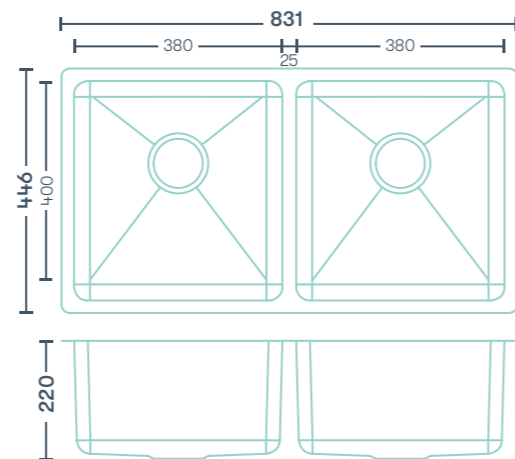
## Hugo Double, 1 3/4 and Mega Bowl

Hugo Double, 1 3/4 and Mega Bowl options deliver practical, no fuss design.

- High quality Stainless Steel (304 Grade)
- Can be installed inset or undermount
- Rear waste position creates space under counter
- 1.2mm gauge
- Sound deadening pads for a quieter kitchen
- Anti-condensation coating prevents moisture underneath



Hugo Double Bowl

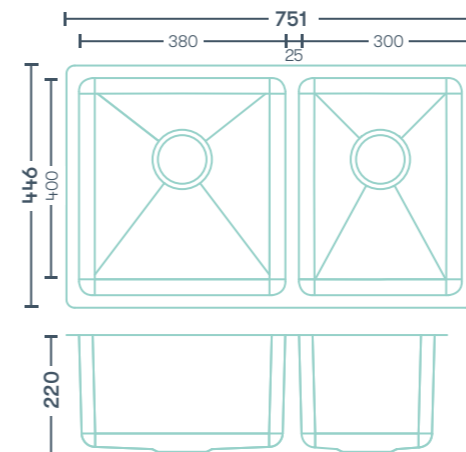


**Double No Taphole**

**831mm x 446mm**  
2402706



Hugo 1 3/4 Bowl

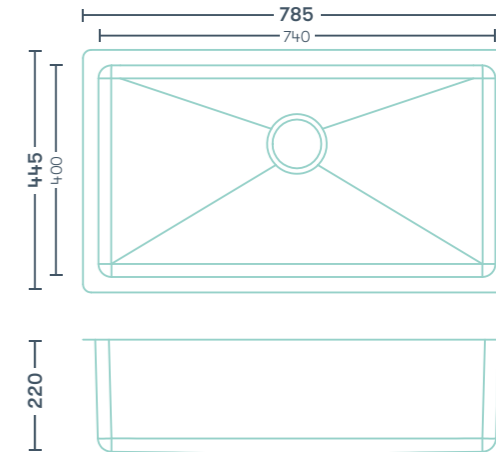


**1 3/4 No Taphole**

**751mm x 446mm**  
2402707



Hugo Mega Bowl No Taphole



**Mega Bowl No Taphole**

**785mm x 445mm**  
2407117

# Hugo Single Bowl With Drainer

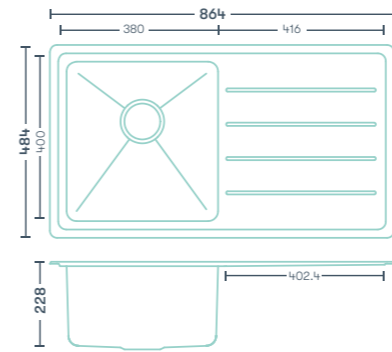
A sink with drainer offers the best of both worlds for washing and drying your dishes.

- High quality Stainless Steel (304 Grade)
- Can be installed inset only
- Rear waste position creates space under counter
- Sound deadening pads for a quieter kitchen
- 1.2mm gauge
- Anti-condensation coating prevents moisture underneath
- Available with left or right hand bowl

**SO MANY COMBOS**  
Hugo comes in 17 different designs to suit every type of kitchen.



Hugo Single Left Hand Bowl with Drainer  
No Taphole

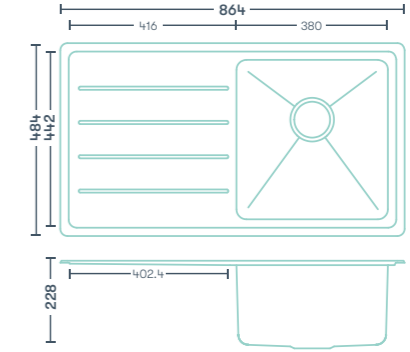


## Single Drainer LHB No Taphole

**864mm x 484mm**  
2403001



Hugo Single Right Hand Bowl with Drainer  
No Taphole

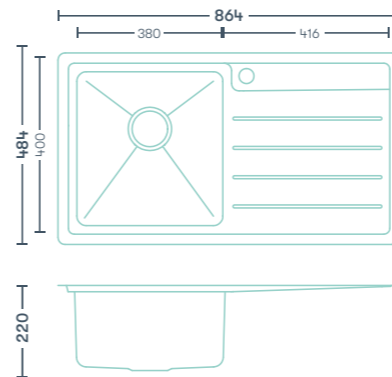


## Single Drainer RHB No Taphole

**864mm x 484mm**  
2403002



Hugo Single Left Hand Bowl with Drainer  
1 Taphole

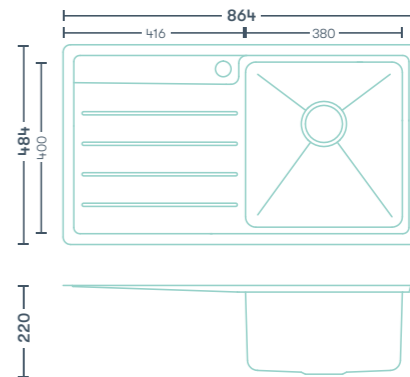


## Single Drainer LHB 1 Taphole

**864mm x 484mm**  
2407118



Hugo Single Right Hand Bowl with Drainer  
1 Taphole



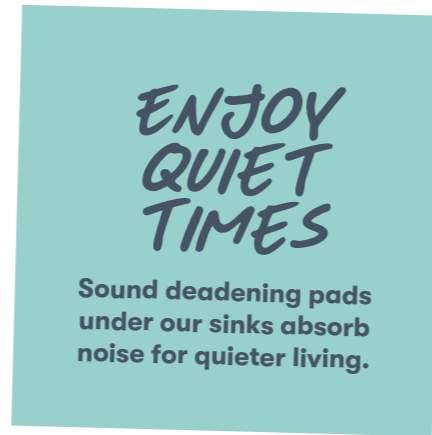
## Single Drainer RHB 1 Taphole

**864mm x 484mm**  
2407119

# Hugo 1 3/4 and Double Bowl With Drainer

Two sinks with drainer offer unlimited versatility for juggling all common kitchen tasks.

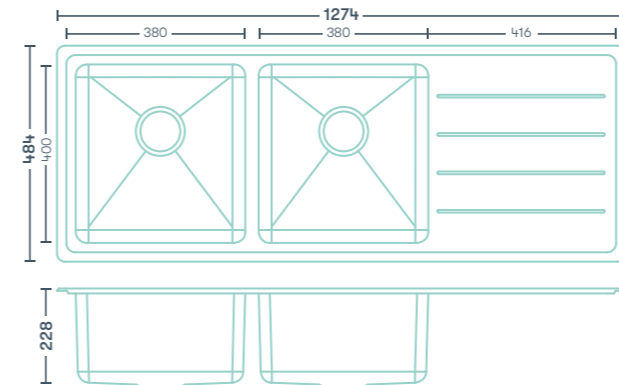
- Available with left or right hand bowl
- High quality Stainless Steel (304 Grade)
- Can be installed inset only
- Rear waste position creates space under counter
- 1.2mm gauge
- Sound deadening pads for a quieter kitchen
- Anti-condensation coating prevents moisture underneath



Hugo Double Left Hand Bowl with Drainer

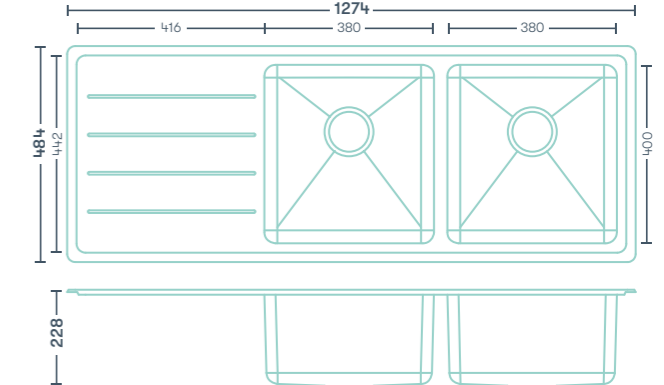


Hugo Double Right Hand Bowl with Drainer



## Double Drainer LHB No Taphole

1274mm x 484mm  
2403003



## Double Drainer RHB No Taphole

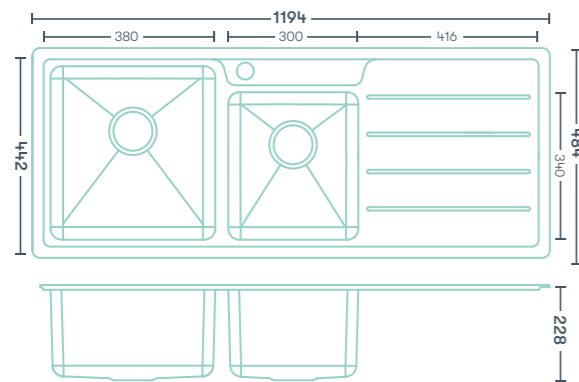
1274mm x 484mm  
2403004



Hugo 1 3/4 Left Hand Bowl with Drainer

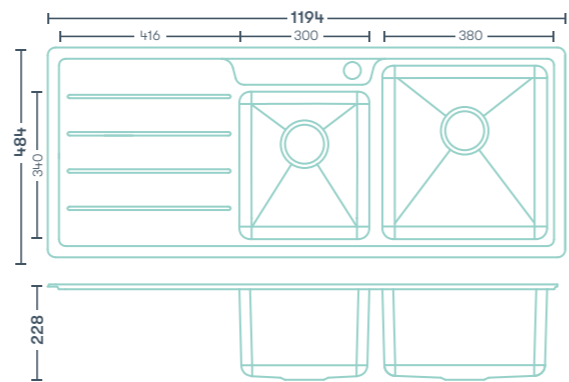


Hugo 1 3/4 Right Hand Bowl with Drainer



## 1 3/4 Drainer LHB 1 Taphole

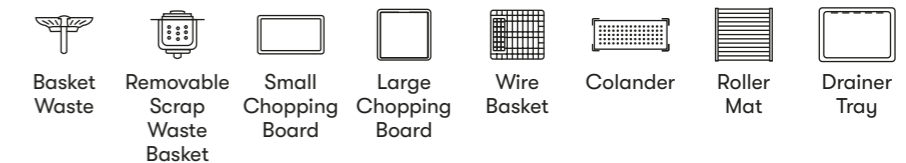
1194mm x 484mm  
2403005



## 1 3/4 Drainer RHB 1 Taphole

1194mm x 484mm  
2403006

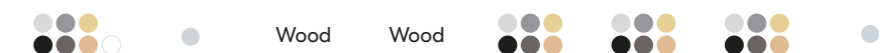
## Memo Accessories



### Compatibility

Hugo Single No Taphole	✓	✓	✓	✓	✓	✓	✓	✓
Hugo Single 1 Taphole	✓	✓	✓	✓	✓	✓	✓	✓
Hugo Single Compact No Taphole	✓	✓	✓	✗	✗	✓	✗	✓
Hugo Single Compact 1 Taphole	✓	✓	✓	✗	✗	✓	✗	✓
Hugo Single Extended No Taphole	✓	✓	✓	✓	✓	✓	✓	✓
Hugo Single Extended 1 Taphole	✓	✓	✓	✓	✓	✓	✓	✓
Hugo 1 3/4 No Taphole	✓	✓	✓	✓	✓	✓	✓	✓
Hugo Double No Taphole	✓	✓	✓	✓	✓	✓	✓	✓
Hugo Mega Bowl No Taphole	✓	✓	✓	✓	✓	✓	✓	✓
Hugo Single Drainer LHB No Taphole	✓	✓	✓	✓	✓	✓	✗	✓
Hugo Single Drainer LHB 1 Taphole	✓	✓	✓	✓	✓	✓	✗	✓
Hugo Single Drainer RHB No Taphole	✓	✓	✓	✓	✓	✓	✗	✓
Hugo Single Drainer RHB 1 Taphole	✓	✓	✓	✓	✓	✓	✗	✓
Hugo 1 3/4 Drainer LHB 1 Taphole	✓	✓	✓	✓	✓	✓	✗	✓
Hugo 1 3/4 Drainer RHB 1 Taphole	✓	✓	✓	✓	✓	✓	✗	✓
Hugo Double Drainer LHB No Taphole	✓	✓	✓	✓	✓	✓	✗	✓
Hugo Double Drainer RHB No Taphole	✓	✓	✓	✓	✓	✓	✗	✓

### Finishes





# Harper

## EVERYONE LOVES THE CLASSICS

When you want to make something great, it helps to start with the right ingredients. Harper is born from this idea. We've taken classic design and mixed it with quality materials. We added a pinch of modern ingenuity and the result is wonderfully spectacular.



Black tea and green tea are the same plant. Green tea turns black when the picked leaves are exposed to air.

LET THAT  
SINK IN



## Harper Single and Double Bowl

A traditionally inspired single sink to suit a more rustic style of kitchen.



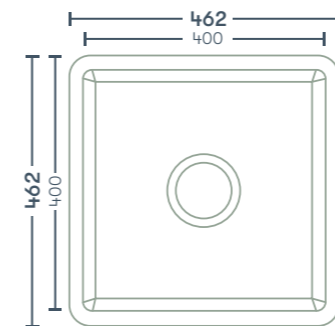
Can be installed inset or undermount  
Fine fireclay material  
Centre waste position



Harper Single 460

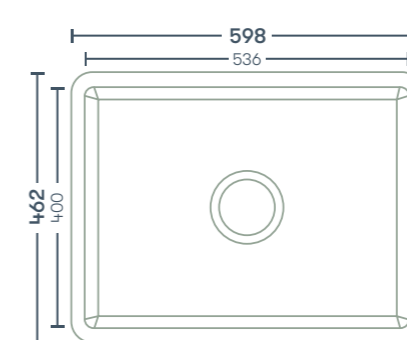
Harper Single 600

Harper Double 850



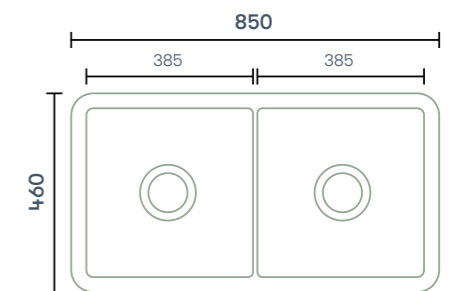
**Single 460  
No Taphole**

**462mm x 462mm**  
2402719



**Single 600  
No Taphole**

**598mm x 462mm**  
2402720



**Double 850  
No Taphole**

**850mm x 460mm**  
33526

**HAMPTON  
HOME LIFE**

Enjoy the timeless beauty  
of natural fine fireclay.

# Harper Butler Sinks

A generously proportioned butler sink bringing you the best of farmhouse chic.



Reversible design – can be installed flat or farmhouse front

Available in white and matte black

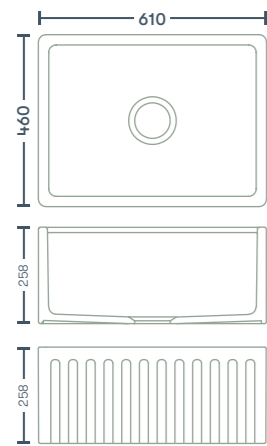
Butler style installation

Fine fireclay material

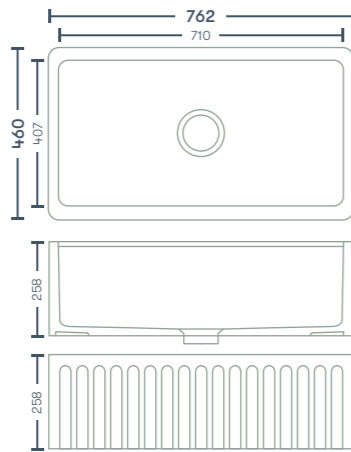
Centre waste position



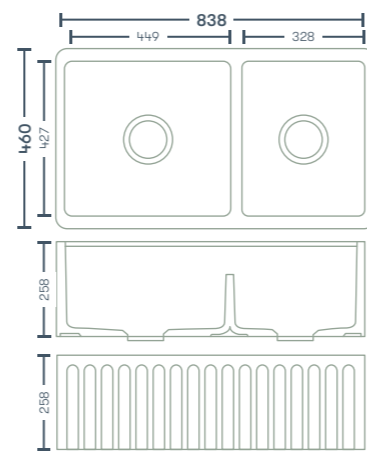
Harper Single Butler 610



Harper Single Butler 760



Harper 1 3/4 Butler



## Single Butler 610 No Taphole

610mm x 460mm

White: 2402970

Black: 2403000

## Single Butler 760 No Taphole

762mm x 460mm

White: 2402717

Black: 2402964

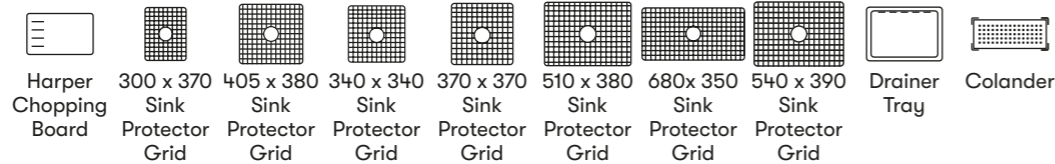
## 1 3/4 Butler No Taphole

838mm x 460mm

White: 2402718

Black: 2402965

## Memo Accessories



## Compatibility

	Harper Chopping Board	300 x 370 Sink Protector Grid	405 x 380 Sink Protector Grid	340 x 340 Sink Protector Grid	370 x 370 Sink Protector Grid	510 x 380 Sink Protector Grid	680 x 350 Sink Protector Grid	540 x 390 Sink Protector Grid	Drainer Tray	Colander
Harper Single 460	X	X	X	X	✓	X	X	X	✓	✓
Harper Single 600	X	X	X	X	X	✓	X	X	✓	✓
Harper Double 850	✓	X	X	✓	X	X	X	X	✓	✓
Harper Single Butler 610	✓	X	X	X	X	X	X	✓	X	X
Harper Single Butler 760	X	X	X	X	X	X	✓	X	X	X
Harper 1 3/4 Butler	✓	✓	✓	X	X	X	X	X	X	X

## Finishes

Compact laminate	●	●	●	●	●	●	●	●
------------------	---	---	---	---	---	---	---	---



Harper Single Butler 760



Harper Single Butler 760 Farmhouse Front

# Freya

## ALWAYS IN STYLE

Forged from natural elements, Freya is a hard-wearing sink just as strong as she is strikingly beautiful. We blended quartz and resin to create a material mix that's moody and modern. Freya's the perfect fit for any kitchen with her flexible configurations, installation options — and her bold look never goes out of style.



Figs aren't actually fruit but  
flowers turned inside out.

LET THAT  
SINK IN



## Freya Single Bowl

Compact in size yet big on style, the Freya single bowl is perfect for small kitchens and butler's pantries.



High quality composite material made from 80% quartz and 20% resin

Available in black and white

Features an elegant finish with a subtle sheen

Scratch, heat, impact, and stain resistant

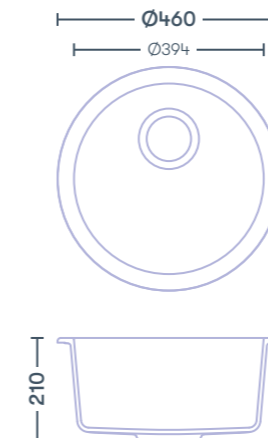
Can be installed inset or undermount

Matching basket waste included maximising the choice of tapware finish

Rear waste position creates space under the counter



Freya Round  
No Taphole

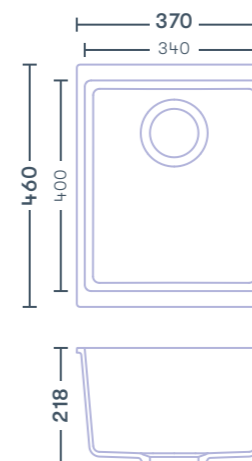


### Round No Taphole

**460mm x 460mm**  
White: 2406974  
Black: 2411005



Freya Compact Single  
No Taphole

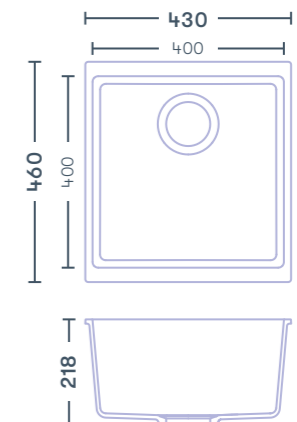


### Compact Single No Taphole

**370mm x 460mm**  
White: 2406970  
Black: 2411001



Freya Single  
No Taphole



### Single No Taphole

**430mm x 460mm**  
White: 2406971  
Black: 2411002

**UP TO  
SCRATCH**

Made from 80% quartz,  
Freya can handle anything  
you throw at her.

# Freya Extended Bowl

A luxuriously proportioned sink, ready to handle the demands of the most adventurous cooks.



High quality composite material made from 80% quartz and 20% resin

Available in black and white

Features an elegant finish with a subtle sheen

Scratch, heat, impact, and stain resistant

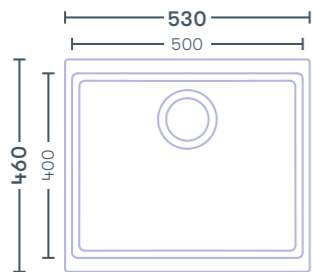
Can be installed inset or undermount

Matching basket waste included maximising the choice of tapware finish

Rear waste position creates space under the counter



Freya Single Extended  
No Taphole

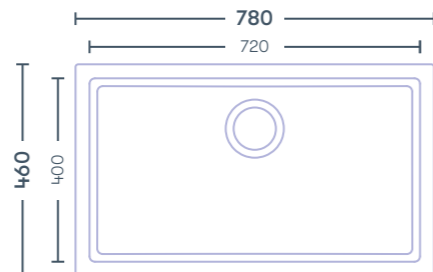


## Single Extended No Taphole

**530mm x 460mm**  
White: 2406972  
Black: 2411003



Freya Mega Bowl  
No Taphole



## Mega Bowl No Taphole

**780mm x 460mm**  
White: 2406973  
Black: 2411004



**CAN HANDLE  
THE HEAT**

Able to withstand temperatures up to 280 degrees, Freya can take the heat.

# Freya Single and 1 3/4 Bowl With Drainer

Wash on one side, dry on the other.  
Our sinks with drainers makes life easy.



High quality composite material made from 80% quartz and 20% resin

Available in black and white

Features an elegant finish with a subtle sheen

Scratch, heat, impact, and stain resistant

Can be installed inset

Matching basket waste included maximising the choice of tapware finish

Centre waste position

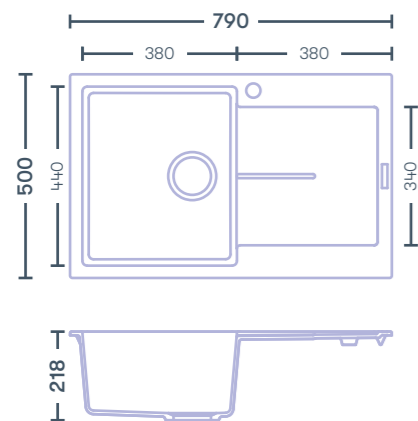


**TIMELESS  
BEAUTY**

Stain resistant and  
long wearing, Freya's  
bold finish won't fade  
over time.



Freya Single Left Hand Bowl with Drainer  
1 Taphole



## Single Drainer LHB 1 Taphole

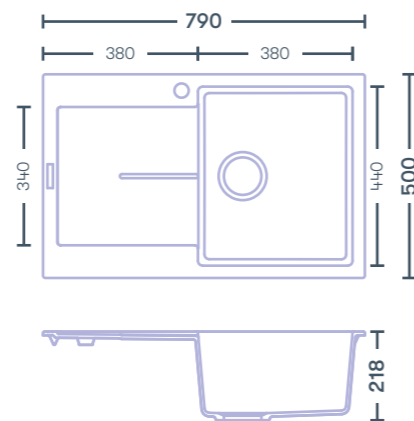
**790mm x 500mm**

White: 2406977

Black: 2403132



Freya Single Right Hand Bowl with Drainer  
1 Taphole



## Single Drainer RHB 1 Taphole

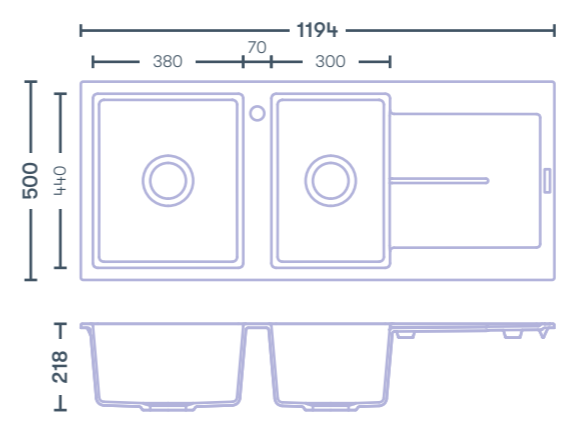
**790mm x 500mm**

White: 2406976

Black: 2403131



Freya 1 3/4 Left Hand Bowl with Drainer  
1 Taphole



## 1 3/4 Drainer LHB 1 Taphole

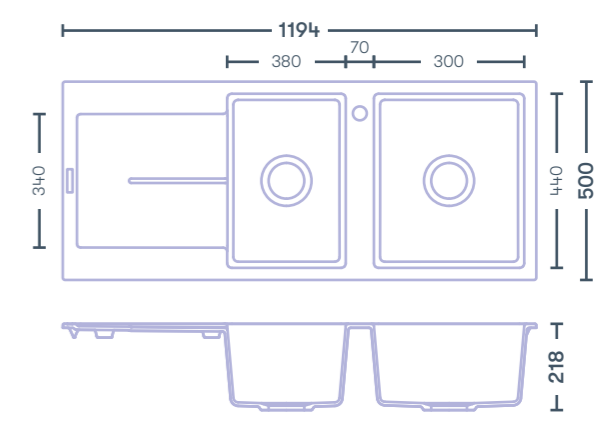
**1194mm x 500mm**

White: 2406979

Black: 2403134



Freya 1 3/4 Right Hand Bowl with Drainer  
1 Taphole



## 1 3/4 Drainer RHB 1 Taphole

**1194mm x 500mm**

White: 2406978

Black: 2403133



## Freya Double Bowl

Two bowls are better than one.  
Plenty of room for rinsing.  
Pots in one. Plates in the other.



High quality composite material made from 80% quartz and 20% resin

Available in black and white

Features an elegant finish with a subtle sheen

Scratch, heat, impact, and stain resistant

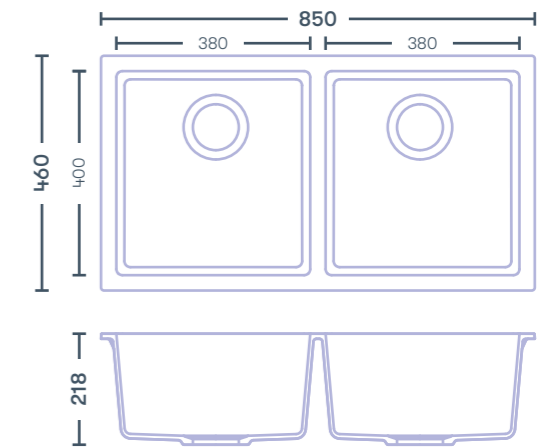
Can be installed inset or undermount

Matching basket waste included maximising the choice of tapware finish

Rear waste position creates space under the counter



Freya Double Bowl  
No Taphole



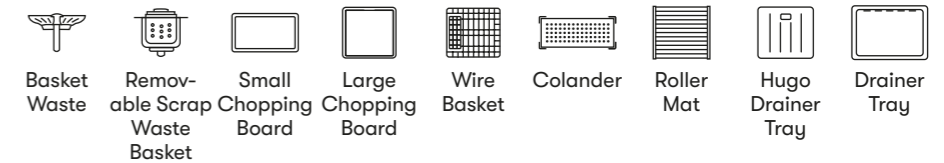
### Double No Taphole

850mm x 460mm

White: 2406975

Black: 2411007

### Memo Accessories



### Compatibility

Freya Round No Taphole	✓	✓	✗	✗	✗	✗	✗	✗	✗
Freya Compact Single No Taphole	✓	✓	✓	✗	✗	✓	✓	✗	✓
Freya Single No Taphole	✓	✓	✓	✓	✓	✓	✓	✓	✓
Freya Single Extended No Taphole	✓	✓	✓	✓	✓	✓	✓	✓	✓
Freya Mega Bowl No Taphole	✓	✓	✓	✓	✓	✓	✓	✓	✓
Freya Double Bowl No Taphole	✓	✓	✓	✓	✓	✓	✓	✓	✓
Freya Single Drainer LHB 1 Taphole	✓	✓	✗	✗	✓	✗	✓	✗	✗
Freya Single Drainer RHB 1 Taphole	✓	✓	✗	✗	✓	✗	✓	✗	✗
Freya 1 ¾ Drainer LHB 1 Taphole	✓	✓	✗	✗	✓	✗	✓	✗	✗
Freya 1 ¾ Drainer RHB 1 Taphole	✓	✓	✗	✗	✓	✗	✓	✗	✗

### Finishes



**SOMETHING  
FOR  
EVERYONE**

With 10 different configurations to choose from, Freya offers a sink for every kitchen.

The term 'Bangers and mash' originated in WWI when shortages led to increased water content in sausages. When cooked they would explode.

LET THAT  
SINK IN

## Isla

### AT HOME OUTDOORS

Isla is made for dining alfresco. When you're entertaining with friends and family, her tough finish comes in handy; 316 marine-grade stainless steel withstands anything life throws at her. Isla's deep bowl and flexible configurations help you make the most of the great outdoors.





## Isla Single Bowl

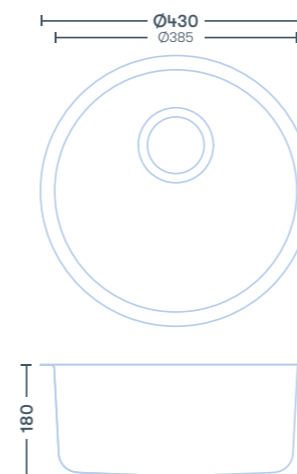
Isla sinks are the perfect addition to any outdoor space.

- High quality Marine Grade Stainless Steel (316 Grade)
- Can be installed inset or undermount
- Rear waste position creates space under counter
- Sound deadening pads for a quieter kitchen
- 0.9 gauge round bowl and 1.2mm gauge single bowl
- Anti-condensation coating prevents moisture underneath

**ALL-ROUND  
BEAUTY**  
A compact circular  
design for when outdoor  
space is limited.



Isla Round Single Bowl

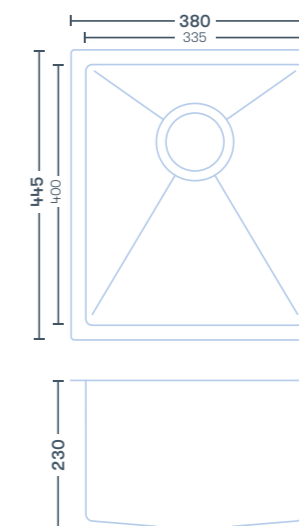


### Single Round No Taphole

**430mm x 430mm**  
2403116



Isla Single Bowl



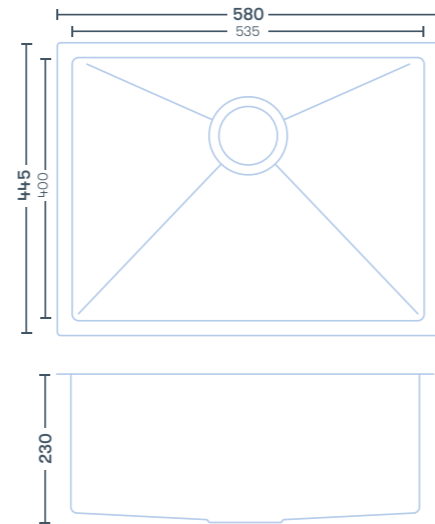
### Single No Taphole

**380mm x 445mm**  
2403114

# Isla Extended Single Bowl

This generously proportioned sink is made for outdoor entertaining on a grand scale.

- High quality Marine Grade Stainless Steel (316 Grade)
- Can be installed inset or undermount
- Rear waste position creates space under counter
- Sound deadening pads for a quieter kitchen
- 1.2mm gauge
- Anti-condensation coating prevents moisture underneath

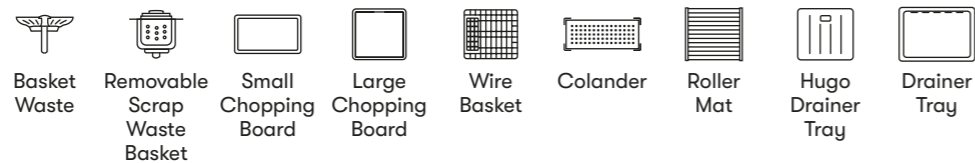


Isla Extended Single Bowl

## Single Extended No Taphole

580mm x 445mm  
2403115

### Memo Accessories



### Compatibility

	Basket Waste	Removable Scrap Waste Basket	Small Chopping Board	Large Chopping Board	Wire Basket	Colander	Roller Mat	Hugo Drainer Tray	Drainer Tray
Isla Single	✓	✓	✓	✗	✗	✓	✓	✗	✓
Isla Single Extended	✓	✓	✓	✓	✓	✓	✓	✗	✓
Isla Single Round	✓	✓	✗	✗	✗	✗	✗	✗	✗

### Finishes



Please note:  
Memo accessories are not designed specifically for outdoor use but can be used to increase the functionality of your Isla sink.

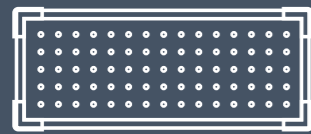


# Handy Helpers

## LET'S SUPERCHARGE YOUR SINK

### Step 1 Choose your preferred accessories

Memo offers a range of cleverly designed accessories sized to work perfectly with our sink ranges. Along with looking great, they'll save you plenty of time in the kitchen when tackling those everyday tasks.



#### Colanders

Ideal for cleaning and draining fruit and vegetables directly over the sink.



#### Large Chopping Boards

Transform your sink into a useful prep area when chopping and dicing.



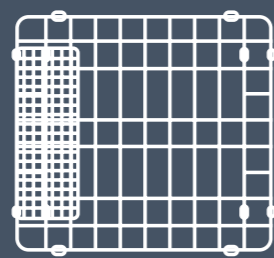
#### Small Chopping Boards

Convert a portion of your sink area into a convenient food prep space.



#### Roller Mats

Our flexible roller mats can extend your workspace or be used as a drainer.



#### Wire Baskets

A wire basket with in-built cutlery holder keeps everything organised and helps dry the dishes.

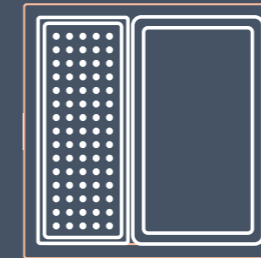


#### Drainer Trays

These trays are a perfect removable drainer option for our single, 1 3/4 & double bowl sinks.

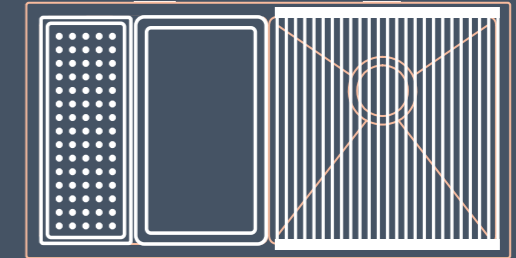
### Step 2 Mix and match

Our modular range allows you to combine accessories that extend the functionality of your sink.



#### Small Sinks

Combine a colander and chopping board for a seamlessly integrated work area with Zenna and Hugo.



#### Large Sinks

Create a multifunctional space by adding a colander, chopping board and roller mat.

### Step 3 Easy to clean plug holes

Keeping food scraps out of your plumbing is better for the environment and will protect your plumbing from blockages.



#### Basket Wastes

An easily removable basket waste for quickly cleaning up your sink.



#### Removable Scrap Waste Basket

Deep basket to trap food scraps with handle for easy removal.



## Colanders

Our colander range is available in five designer finishes that match our Zenna, Oscar, Hugo, Harper, Freya and Isla sinks perfectly.

### Colanders

**170mm x 418mm**  
2404010, 2404011, 2404012,  
2404013, 2404014



Available in stainless steel, nickel, brass, gunmetal and bronze finishes.

Please refer to the relevant compatibility chart to ensure your accessories match your chosen sink.



Colander Stainless Steel



Colander Nickel



Colander Brass



Colander Gunmetal



Colander Bronze

## Chopping Boards

Memo chopping boards are crafted in solid oak and sealed for long life and hygiene.



Large Chopping Board

### Large Chopping Board

**406mm x 426mm**  
2409999  
Solid Oak finish



Small Chopping Board

### Small Chopping Board

**215mm x 426mm**  
2409998  
Solid Oak finish



# Wire Baskets

Our wire baskets provide capacity for a large volume of dishes and come in seven finishes to match the Zenna, Oscar and Hugo sinks. Please check compatibility chart to check which accessories work with your sink.

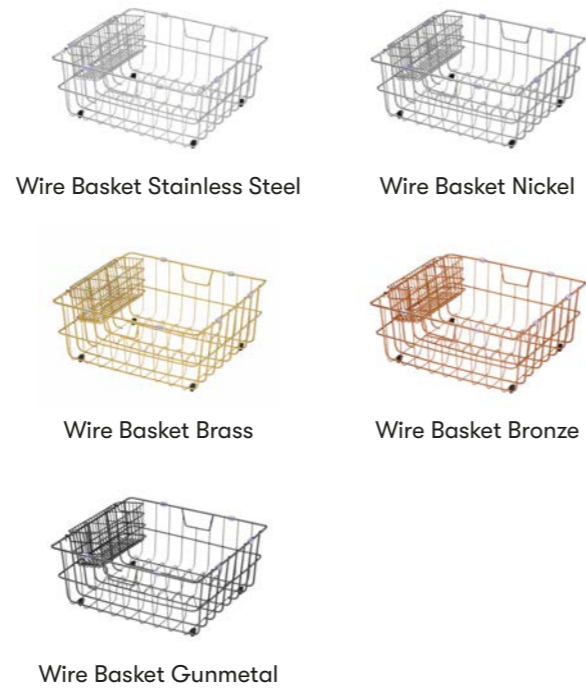
## Wire Baskets

**350mm x 380mm**  
2407010, 2407012, 2407011,  
2407096, 2407095, 9512425



Available in stainless steel, nickel, brass, gunmetal and bronze finishes.

Please refer to the relevant compatibility chart to ensure your accessories match your chosen sink.



# Roller Mats

Memo roller mats offer complete versatility. They double as a work area or a strainer and then fold up for easy storage.

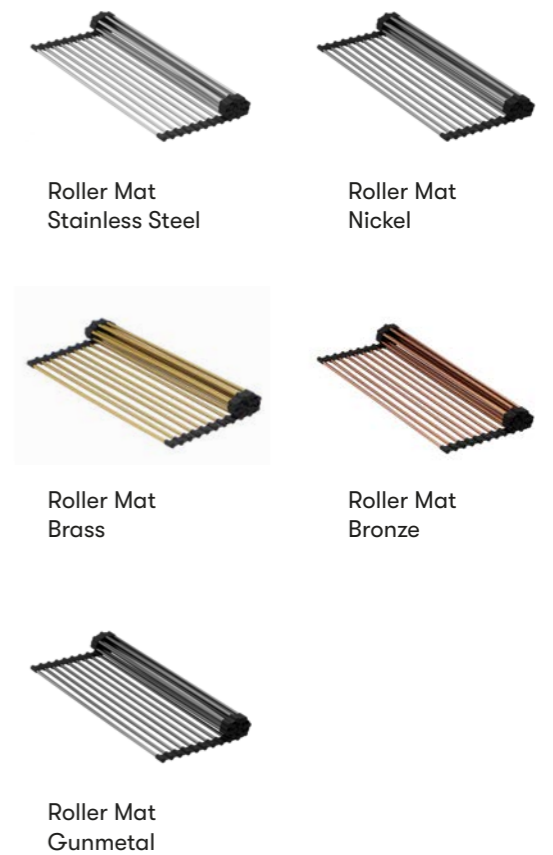
## Roller Mats

**420mm x 445mm**  
2407006, 2407008, 2407007,  
2407094, 2407093, 9512426



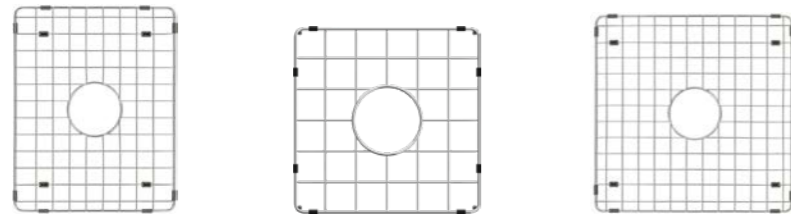
Available in stainless steel, nickel, brass, gunmetal and bronze finishes.

Please refer to the relevant compatibility chart to ensure your accessories match your chosen sink.



## Harper Sink Protector Grids

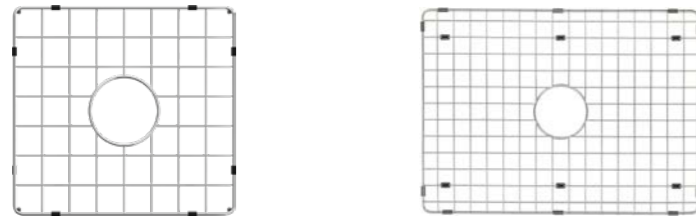
Designed to fit perfectly in the bottom of our Harper sinks, these protector grids allow you to wash sharp items, utensils and pans without fear of scratching the sink base.



300mm x 370mm

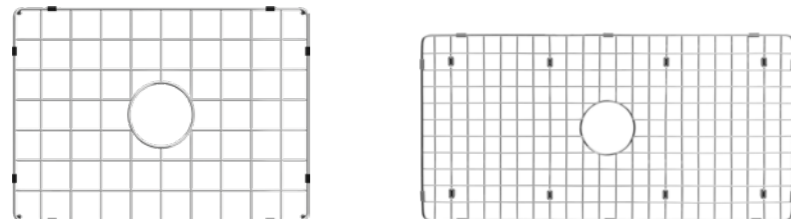
340mm x 340mm

370mm x 370mm



405mm x 380mm

510mm x 380mm



540mm x 390mm

680mm x 350mm

### Harper Sink Protector Grids

**300mm x 370mm**

2407037

**340mm x 340mm**

39914

**370mm x 370mm**

2407038

**405mm x 380mm**

33529

**510mm x 380mm**

2407039

**540mm x 390mm**

33562

**680mm x 350mm**

2407040



Available in stainless steel

## Harper Butler Sink Chopping Board

The Harper chopping board is made from compact laminate making it strong, durable and perfect for food prep.

### Harper Chopping Board

**249mm x 427mm**

2407036



Harper Butler Chopping Board

## Harper Harper Roller Mat

The Harper roller mat offer complete versatility. They double as a work area or a strainer and then fold up for easy storage.

Please check compatibility charts for use with Harper sinks.

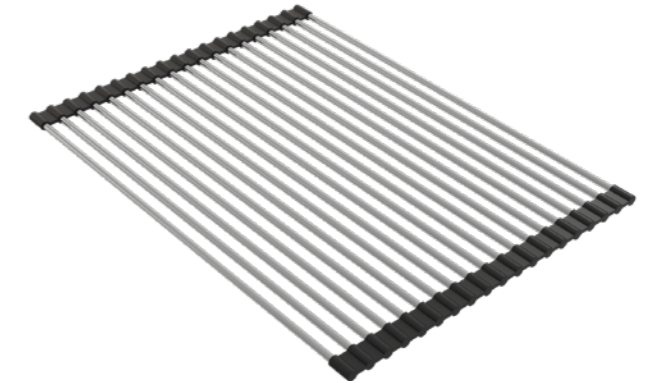
### Harper Roller Mat

**436mm x 320mm**

33527



Available in stainless steel



## Harper Colander

Our Harper Colander is ideal for cleaning and draining fruit and vegetables directly over the sink.

Please check compatibility charts for use with Harper sinks.

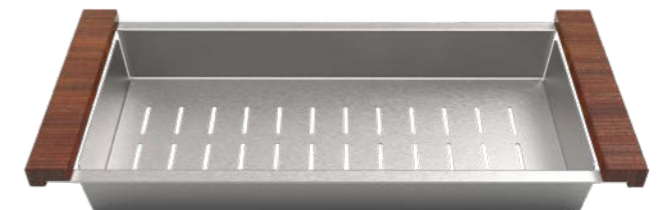
### Harper Colander

**435mm x 190mm**

33528



Available in stainless steel



# Drainer Tray

The Memo drainer tray enhances your sink's functionality and is easily removable.

Available in five designer finishes to match select Zenna, Oscar, Hugo, Harper, Freya and Isla sinks.

## Drainer Tray

418mm x 312mm

2404004, 2404005, 2404006, 2404007, 2404008



Available in stainless steel, nickel, brass, gunmetal and bronze finishes

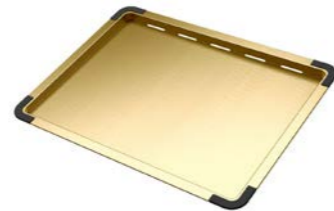
Please refer to the relevant compatibility chart to ensure your accessories match your chosen sink



Drainer Tray Stainless Steel



Drainer Tray Nickel



Drainer Tray Brass



Drainer Tray Gunmetal



# Hugo Drainer Tray

The Hugo drainer tray is a practical and removable drainer solution. Please check compatibility charts for use with Hugo sinks.

## Drainer Tray

427mm x 395mm

2402729



Available in stainless steel



Hugo Drainer Tray Stainless Steel

# Basket Wastes

Our easy clean basket wastes have been designed to provide fast drainage while keeping food debris out of your plumbing.

## Basket Wastes

2402728, 9511258, 9512424, 9511982, 9511983, 9511984, 2420050, 2006605



Available in stainless steel, nickel, brass, black, gunmetal, bronze, matte black and matte white finishes

Matching coloured waste comes with sink

Please refer to the relevant compatibility chart to ensure your accessories match your chosen sink



Basket Waste Stainless Steel



Basket Waste Nickel



Basket Waste Brass



Basket Waste Black



Basket Waste Gunmetal



Basket Waste Bronze



Basket Waste Matte Black



Basket Waste Matte White

## Removable Waste Scrap Basket

2407002



Available in stainless steel  
Sold separately

Please refer to the relevant compatibility chart to ensure your accessories match your chosen sink



Removable Waste Scrap Basket

# Memo Care Instructions



## Harper Fireclay Sinks

Harper sinks are manufactured with high quality materials and tested to ensure performance and long life. Fireclay sinks are created by firing the clay at high temperatures so some visual distortion can occur. This is not a defect but can be seen to add to the natural beauty of the sink.

### Cleaning

To keep your Harper sink in original condition, only clean with non-abrasive cleaners and a soft sponge.

### Water Stains

Use a low concentration of vinegar to remove hard water stains. Rinse well after. Keeping the sink dry will avoid future water stains.

### General Stains

Marks and stains caused by foods and liquids should be removed immediately with hot water and a gentle cleaning agent. Cleaners, such as Jif, can be used to remove tougher stains. For more stubborn stains, mix a water and detergent mixture in the sink overnight, scrub off any dirt and stains and rinse with water.

#### Note

Damage caused by improper treatment is not covered by the product warranty. Refer to warranty conditions for further information.

### Light Marks

Metal cutlery and cooking utensils can leave marks on the surface. These can be removed by Bar Keeper's Friend or a similar cleaner.

### Scratches

Fireclay is extremely durable and long lasting. However, if scratches and chips do occur, Cramer Repair Kit is recommended for minor damages to the sink.

### Do Not Use

Fireclay sinks can withstand many chemical cleaning agents, however it can cause damage to the wastes and taps. Below is not advised.

- Steel wool, scourers or metal brush to sink.
- Harsh cleaners containing severe acidic or alkaline chemicals such as sodium hydroxide, sulphuric acid or hydrochloric acid.
- Toilet cleaners such as chlorinated cleansers or bleach of any type.

## Zenna Stainless Steel Nanoplated Sinks

Zenna sinks are manufactured with high quality materials and tested to ensure performance and long life. Marks on Zenna Stainless Steel Nanoplated Sinks can occur over time from waterborne deposits clinging to the surface. To maintain the appearance of the finish, it's important to do a regular clean with non-abrasive cleaners.

### Maintenance

Always keep the surface clean and do not allow dirt or grime to remain on the surface for extended periods.

### Brown Stains & Light Scratches

A 3M Scotch-Brite cleaning cloth can be used by carefully rubbing up and down following the steel grain direction – not across the grain or in a circular motion. Diluted dishwashing liquid on a 3M Scotch-brite can also be used to remove stubborn brown stains. Thoroughly rinse with clean water and let dry to ensure no potential rust particles are left on the surface.

### Recommended Cleaner & Repellent

We recommend Hillmark 'Steelkleen' to remove fingerprint smears, water spots, splatters and light brown staining. In addition, it will not affect the transparent film which repels new marks.

#### Note

Damage caused by improper treatment is not covered by the product warranty. Refer to warranty conditions for further information. Open chemical containers can emit fumes that can have adverse effects to the stainless steel sink when kept underneath the sink.

### Do Not Use

Do not use any of the following cleaners;

- Steel wool, scourers or a metal brush
- Scourers previously used on normal steel
- Harsh cleaners containing acidic or alkaline chemicals such as sodium hydroxide (drain cleaner) or hydrochloric acid.
- Toilet cleaners such as chlorinated cleaners or bleach of any time.
- Brick cleaners such as hydrochloric acid.
- Plastic scourers across the stainless steel grain.
- Use of laundry detergents, such as Vanish, are not recommended.

### Do Not Allow

Salt, salty food or citric fruit juices to dry on the stainless steel surface. Always rinse off with clean water.

Memo Zenna PVD sinks are not recommended to be installed in laundries, due to potential exposure to bleaches and harsh chemicals.

# Memo Care Instructions



## Memo Stainless Steel Sinks

Memo Stainless Steel sinks are manufactured with high quality materials and tested to ensure performance and long life. Marks on stainless steel can occur over time from waterborne deposits clinging to the stainless steel surface. To maintain the appearance of the stainless steel finish, it's important to do a regular clean with non-abrasive cleaners.

### Maintenance

Always keep the stainless steel surface clean and do not allow dirt or grime to remain on the surface for extended periods.

### Brown Stains & Light Scratches

A 3M Scotch-Brite cleaning cloth can be used by carefully rubbing up and down following the steel grain direction – not across the grain or in a circular motion. Diluted dishwashing liquid on a 3M Scotch-brite can also be used to remove stubborn brown stains. Thoroughly rinse with clean water and let dry to ensure no potential rust particles are left on the surface.

### Recommended Stainless Steel Cleaner & Repellent

We recommend Hillmark 'Steelkleen' to remove fingerprint smears, water spots, splatters and light brown staining. In addition, it will not affect the transparent film which repels new marks. It's available through Reece (Reece code 2029784).

### Note

Damage caused by improper treatment is not covered by the product warranty. Refer to warranty conditions for further information. Open chemical containers can emit fumes that can have adverse effects to the stainless steel sink when kept underneath the sink.

### Do Not Use

Do not use any of the following to clean stainless steel;

- Steel wool, scourers or a metal brush
- Scourers previously used on normal steel
- Harsh cleaners containing acidic or alkaline chemicals such as sodium hydroxide (drain cleaner) or hydrochloric acid.
- Toilet cleaners such as chlorinated cleaners or bleach of any time.
- Brick cleaners such as hydrochloric acid.
- Plastic scourers across the stainless steel grain.

### Do Not Allow

Salt, salty food or citric fruit juices to dry on the stainless steel surface. Always rinse off with clean water.



## Memo Granite Sinks

Memo Granite sinks are manufactured with high quality materials and tested to ensure performance and long life. Granite sinks are made from a mix of quartz stone and acrylic resin that creates a tactile and hard-wearing surface.

### Maintenance

To maintain original appearance, it is important to do a regular clean with non-abrasive cleaners and keep the sink dry when not in use.

Always keep the surface clean and do not allow dirt or grime to remain on the surface for extended periods to avoid marks and stains.

Do not use the sink as a cutting surface. Avoid placing hot pots, pans or other objects onto the surface of the sink. Use appropriate potholders such as a chopping board as a thermal barrier. Avoid placing or dropping heavy objects with sharp corners on the sink.

### Cleaning

Rinse the sink after each use with warm water and non-abrasive cleaner. Always rinse well so gritty residue is not left in the sink.

### Note

Damage caused by improper treatment is not covered by the product warranty. Refer to warranty conditions for further information.

### Marks and Stains from General Use

Marks and stains caused by foods and liquids needs to be removed immediately with hot water and gentle cleaning agent. Calcium residue can build up when the sink is used. Clean by soaking water and detergent mixture over the bottom of the sink, scrub off any dirt and stains, and finally rinse with water.

### Do Not Use

- Steel wool, abrasive scourers or metal brush to clean the granite composite sink.
- Harsh cleaners containing severe acidic or alkaline chemicals such as sodium hydroxide, sulphuric acid or hydrochloric acid that will damage the surface.
- Chlorine based cleaners.
- Cleansers or bleach of any type.
- Use of laundry detergents, such as Vanish, are not suitable.

# Memo Warranty Information

## Zenna

30 years residential and commercial use,  
10 years product finish,  
12 months spare parts and labour  
(including wastes).

## Oscar

30 years residential and commercial use,  
10 years product finish,  
12 months spare parts and labour  
(including wastes, overflows).

## Hugo

30 years residential and commercial use,  
10 years product finish,  
12 months spare parts and labour  
(including wastes).

## Harper

30 years residential and commercial use,  
10 years product finish,  
12 months spare parts and labour  
(including wastes).

## Freya

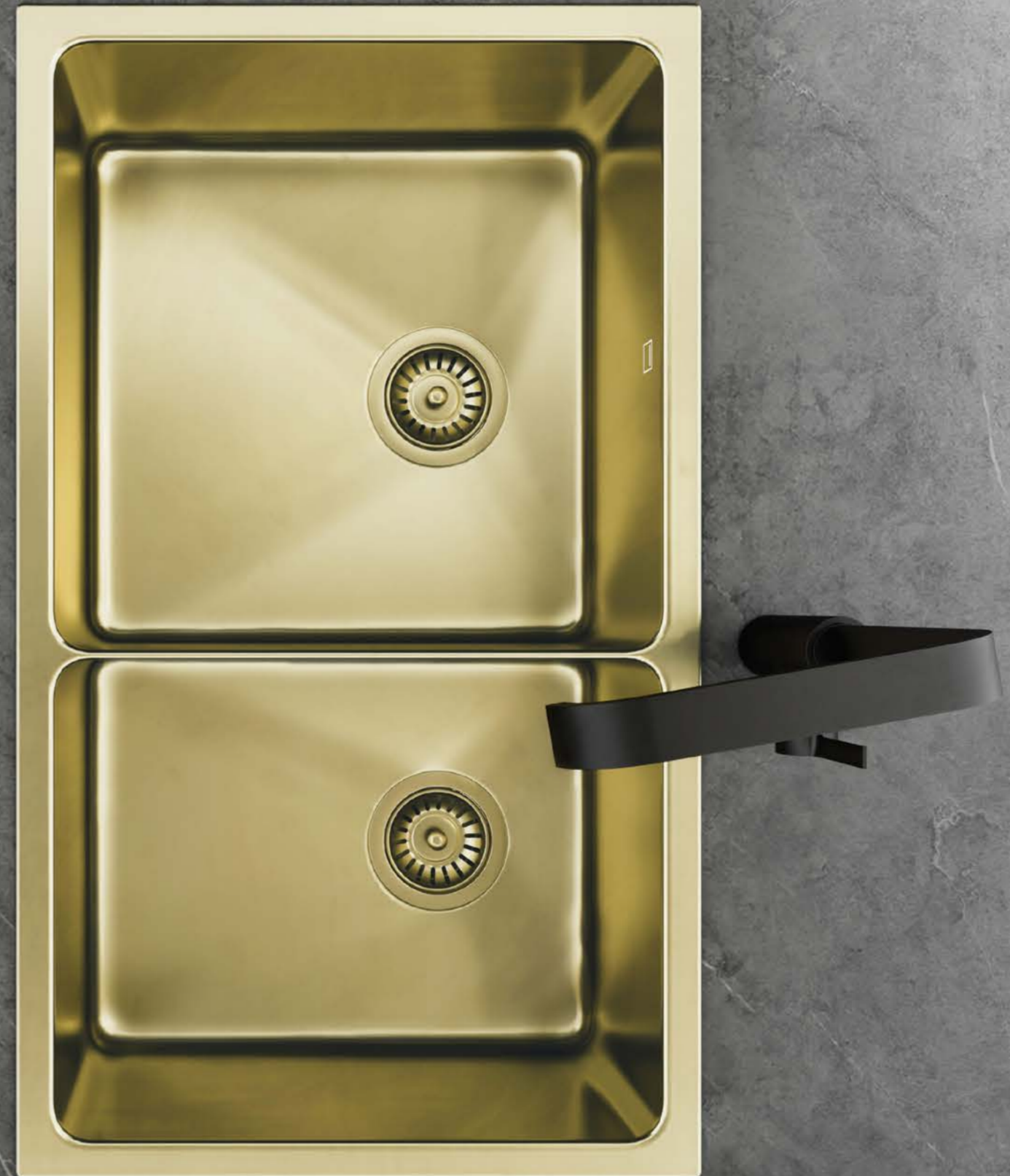
30 years residential and commercial use,  
10 years product finish,  
12 months spare parts and labour  
(including wastes).

## Isla

30 years residential and commercial use,  
10 years product finish,  
12 months spare parts and labour  
(including wastes).

## Accessories

12 months spare parts and labour  
(including wastes, overflows).



### Note

Damage caused by any improper treatment  
is not covered by the product warranty.  
Refer to the warranty conditions on the  
Reece website for further information.



## **Bathroom Happiness**

Visit any one of our showrooms around Australia for all the latest products, concepts and inspiration to make your bathroom whatever you want it to be. And for the ultimate bathroom experience, go to one of our new bathroom life™ stores where you will find the biggest range of leading Australian and international brands.

Call **1800 032 566** or visit **[www.reece.com.au](http://www.reece.com.au)** for your nearest bathroom showroom.

Due to limitations in the printing process, the colours in this brochure are a guide only. The manufacturer/distributor reserves the right to vary specifications or delete models from their range without prior notification. The manufacturer/distributor takes no responsibility for printing errors. Memo sinks and taps are covered by a product replacement warranty and a one year parts and labour warranty – domestic use only. See [www.reece.com.au/warranties](http://www.reece.com.au/warranties) for more information

V17 [BROCHURE CODE 2118000]

**memo**

