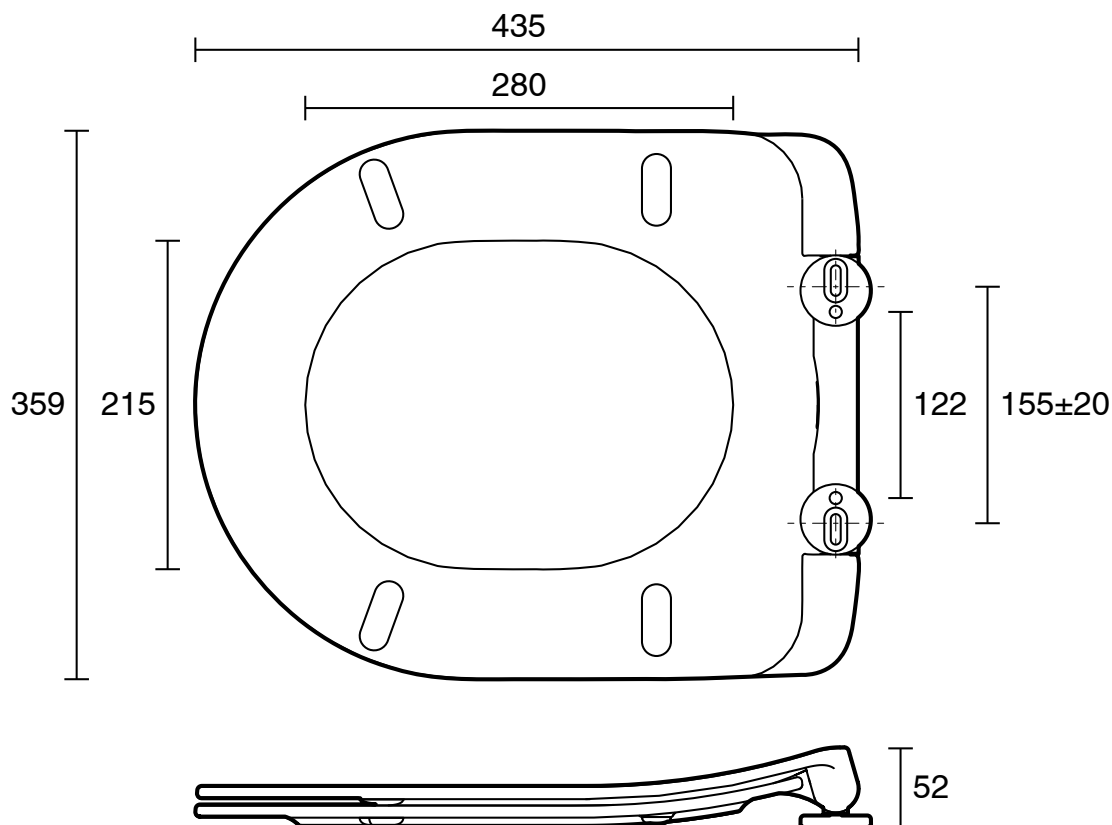


KADO

Kado Lussi Rimless Soft Close Quick Release Seat White

1832607

SPECIFICATIONS	
Recommended Use	Residential;Commercial
Toilet Seat Type	Soft Close;Quick Release;Thin
Primary Material	Urea
Colour	White
WARRANTY	
Product or Parts Replacement Only (Years)	5
<i>Please refer to Kado Warranty Page for full Terms and Conditions</i>	



Dimensions are nominal measurements only.

CLEANING RECOMMENDATIONS:

We recommend the use of soapy water or approved cleaners. This product should not be cleaned with abrasive materials. Damage caused by any improper treatment is not covered by the product warranty. Refer to Warranty Conditions

Disclaimer: Products in this specification manual must by regulation be installed by licensed and registered trade people. The manufacturer/distributor reserves the right to vary specifications or delete models from their range without prior notification. Dimensions are nominal measurements only. Dimensions and set-outs listed are correct at time of publication however the manufacturer/distributor takes no responsibility for printing errors.

Published 01/04/2026

To see the complete Kado range go to www.reece.com.au

