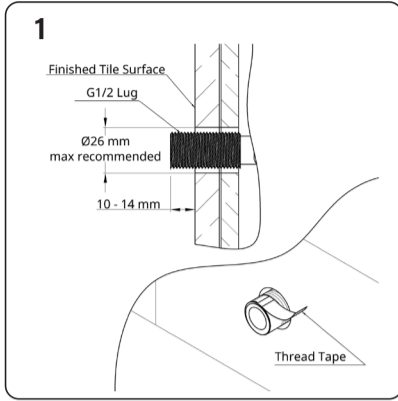




VARA Shower Slider Rail

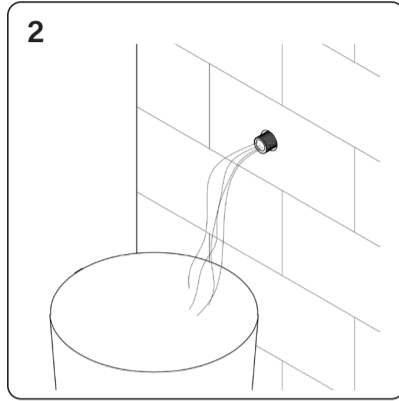
Rough-in

Note: This VARA rough-in kit has been specifically designed for installing in timber frame walls. The Rough in kit does not contain any decorative components as these are all in the fit off kit.



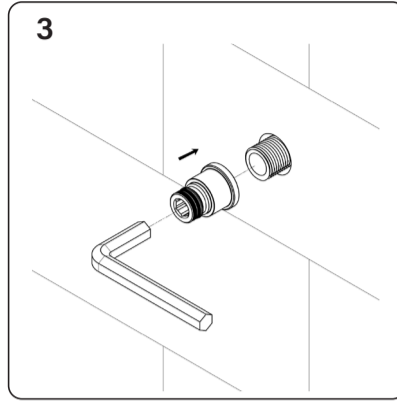
Prepare threaded lug

Ensure that the 1/2" threaded lug is protruding from the finished wall surface between 10 and 14mm, cut to length if necessary. Remove any debris or tile glue from the thread, and apply sufficient thread tape.



Flush systems & check the flow

Switch on the water supply and allow water to flow so as to purge the system and remove debris.

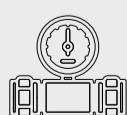


Install Mount spigot

Using a 10mm hex wrench, thread the brass adaptor over the lug and screw it up until it contacts the finished tile or wall surface. Do not use vice grips otherwise the O-rings may be damaged causing leaks.



Must be fitted in accordance with AS/NZS 3500 by qualified plumber



Mains 500kpa regulator must be fitted



Maximum hot water temp. 65°C



Water lines must be flushed prior to connection



Only clean municipal water supply. No bore, dam or hard water without filtration & treatment

Cleaning

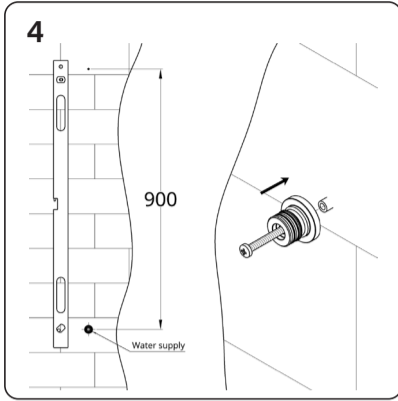
Clean only with a soft microfiber or similar cloth and warm clean water. Ensure that the cloth is clean and free of any grit or chemical. Dry fitting off with a soft clean cloth. Ensure that your fitting is not subject to any chemicals, building grit or any type of abrasive or polish. For care of special finishes please visit our website.



VARA Shower Slider Rail

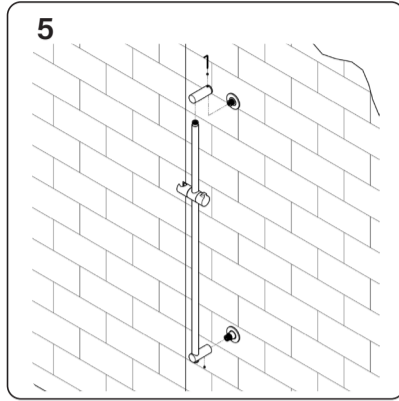
Fit-Off Kit

Note: Fit off is done after tiling and grouting are complete.



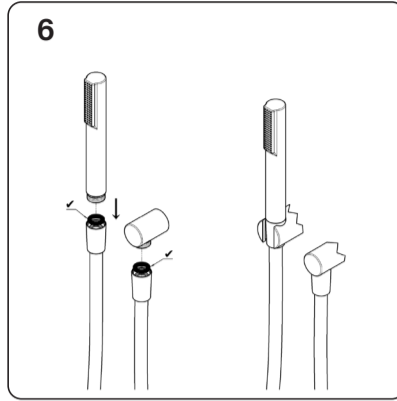
Install upper shower fixing

Mark the position for the top shower bracket fixing, 900mm above the G1/2 water supply lug. Use a level to ensure straightness. Drill an 8mm hole through the tiles, and an appropriate size hole into the wall depending on the fixing method required. Attach the plastic bracket to the wall using the fixings provided (or alternatively other suitable stainless steel fixings).



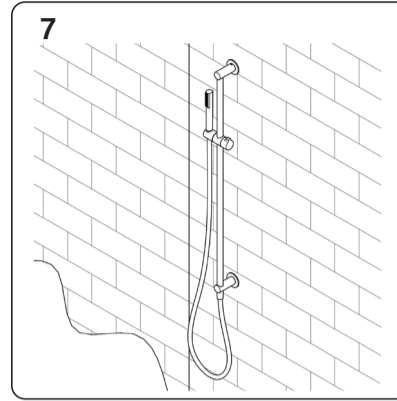
Install shower

Obtain additional assistance for this step. Place the flanges over the upper fixing and lower supply spigot. Moisten the O-rings on the top end of the slider rail, and carefully connect it to the upper bracket as shown. Slide the entire assembly over the spigot on the bottom and the fixing at the top, ensuring the assembly is supported. Push the brackets firmly up against the wall, capturing the flanges, while another person inserts and tightens the top and bottom grub screws using the supplied 2.5 mm Allen key.



Install hand shower & hose

Unwrap the hand shower assembly and shower hose. Ensure rubber washers are correctly placed inside the tapered nuts on each end of the hose. Tighten the one nut on the one end of the hose firmly onto the hand shower thread, and the nut on the other end onto the thread on the underside of the lower bracket. Place the hand shower into the shower slider.



Test the system

Switch on water supply and check proper water flow through the hand shower outlet. If there are any issues please contact Faucet Strommen before leaving the site.