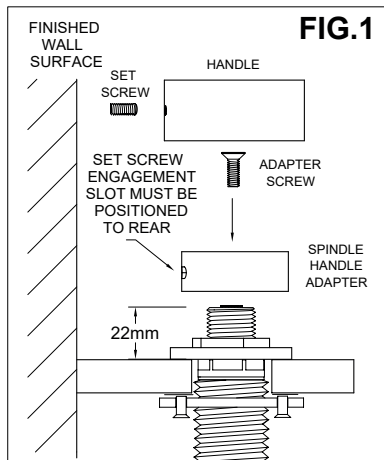


# SUSSEX

## Sussex Pure Basin Set (5 Star)

- Tapware is to be installed by a Licenced Plumber in accordance with AS/NZS 3500:2003
- Recommended working water pressure 300 - 500 Kpa.
- Maximum water temperature is 65 deg.C.
- Maximum Bench Thickness 32mm with Standard Spindles supplied.
- 33 – 36mm Hole Clearance.



### UNDER MOUNT INSTALLATION

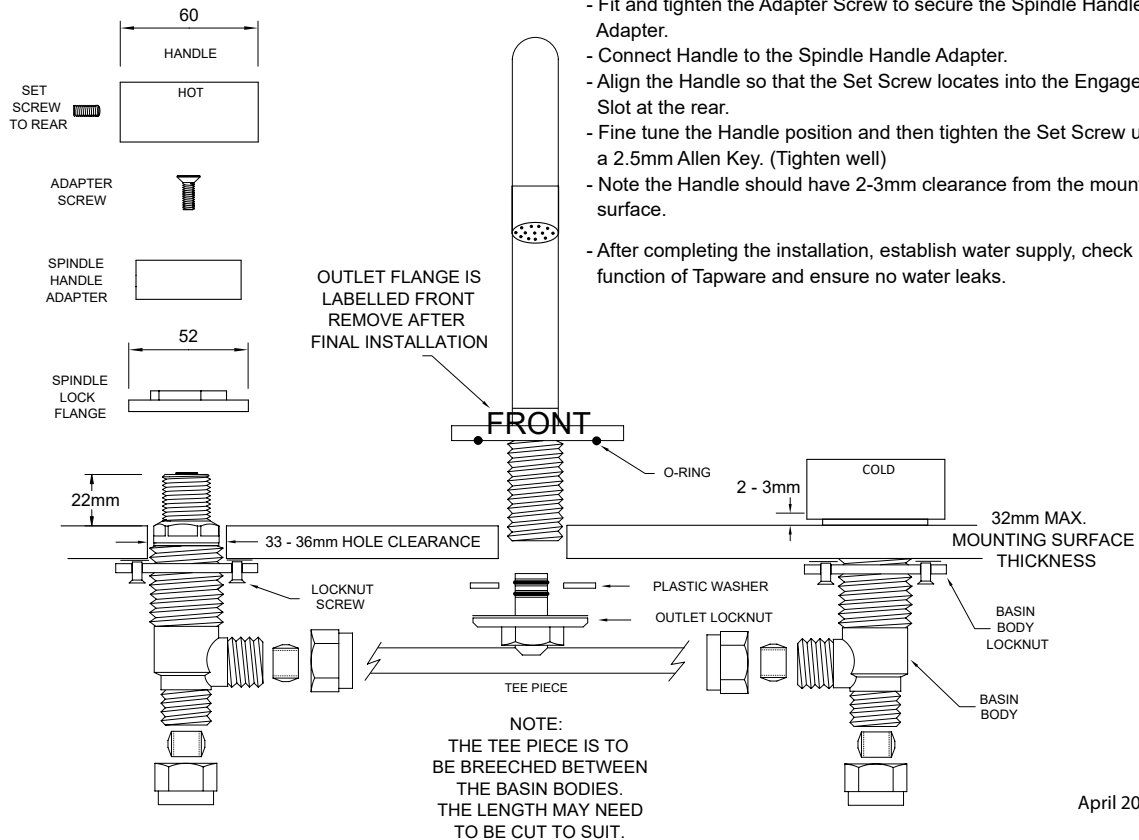
- The Basin Bodies are supplied with the Spindles fitted ready for installation. (No need to separate)
- Fit Tee Piece to Basin Bodies to create an assembly.
- Measure the distance between the Basin/Hob clearance holes and if required cut the Tee Piece to suit.
- Place the Outlet Locknut and Plastic Washer over the fitting of the Tee Piece. (As shown)
- Align the Basin Body assembly and fit through the mounting surface.
- Fit the Spindle Lock Flanges to support the assembly.
- Adjust the assembly to ensure the distance from the top surface to end of Spindle is 22mm. (As shown)
- Working from underneath tighten the Basin Body Locknuts to make contact with the underside of the mounting surface.
- To complete the installation, tighten the Locknut Screws. (Tighten well)

### OUTLET FIT OFF

- Pass Outlet through mounting surface to Tee Piece and secure by tightening Outlet Locknut.
- Outlet must be secured with the "FRONT" label facing the user. Remove label after final installation.

### HANDLE FIT OFF (See FIG.1)

- Attach the Spindle Handle Adapter and ensure the Set Screw engagement Slot is positioned to the rear.
- Fit and tighten the Adapter Screw to secure the Spindle Handle Adapter.
- Connect Handle to the Spindle Handle Adapter.
- Align the Handle so that the Set Screw locates into the Engagement Slot at the rear.
- Fine tune the Handle position and then tighten the Set Screw using a 2.5mm Allen Key. (Tighten well)
- Note the Handle should have 2-3mm clearance from the mounting surface.
- After completing the installation, establish water supply, check function of Tapware and ensure no water leaks.



April 2016

Plumbers, please ensure a copy of the Installation Instructions are left with the end user for future reference