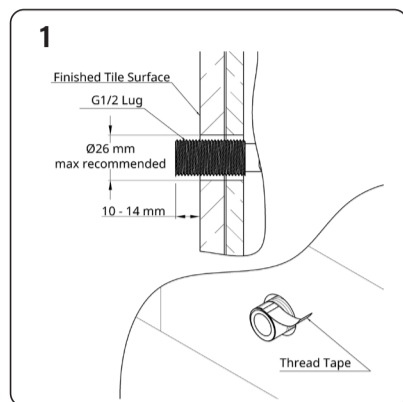
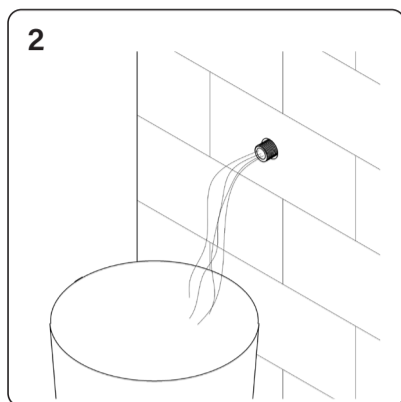


VARA Gooseneck Shower Arm



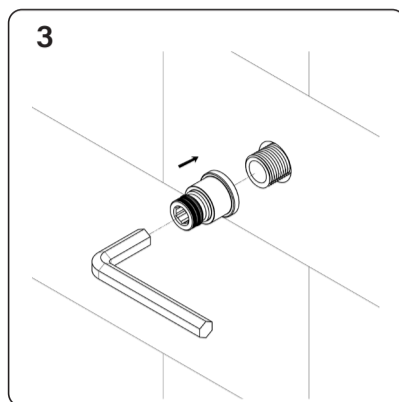
1 Prepare threaded lug

Ensure that the 1/2" threaded lug is protruding from the finished wall or hob surface between 10 and 14mm, cut to length if necessary. Remove any debris or tile glue from the thread, and apply sufficient thread tape.



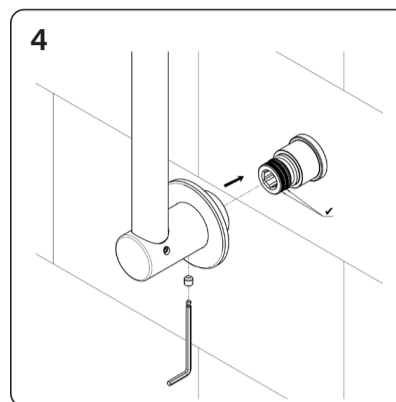
2 Flush systems & check the flow

Switch on the water supply and allow water to flow so as to purge the system and remove debris.



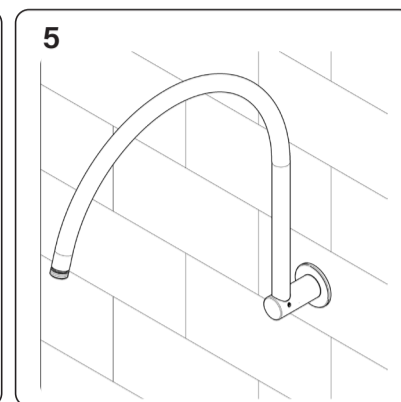
3 Install Mount spigot

Using a 10mm hex wrench, thread the brass adaptor over the lug and screw it up until it contacts the finished tile or wall surface. Do not use vice grips otherwise the O-rings may be damaged causing leaks. It is important that the brass adaptor is stiff to turn as this is required for the tap stability. If needed, remove the adaptor and apply more thread tape etc.



4 Install product onto mount spigot

Gently push the flange over the back end of the outlet body. Inspect the two O-rings on the spigot to ensure no damage. Moisten the O-rings on the spigot, and gently push the product over the spigot while rotating it slightly. Ensure the body is flush up against the wall, then thread the grub screw in the underside of the body using the 2.5mm Allen key provided. Straighten the spout, then lock in place by tightening the grub screw firmly. Carefully slide the flange up against the wall.



5 Test operation

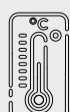
Switch on the water to the outlet and check water is flowing as expected. If there are any issues please contact Faucet Strommen before leaving the site.



Must be fitted in accordance with AS/NZS 3500 by qualified plumber



Mains 500kpa regulator must be fitted



Maximum hot water temp. 65°C



Water lines must be flushed prior to connection



Only clean municipal water supply. No bore, dam or hard water without filtration & treatment

Cleaning

Clean only with a soft microfiber or similar cloth and warm clean water. Ensure that the cloth is clean and free of any grit or chemical. Dry fitting off with a soft clean cloth. Ensure that your fitting is not subject to any chemicals, building grit or any type of abrasive or polish. For care of special finishes please visit our website.