

Hydrotherm Pure Heated Towel Rail

WARNING

This product must be installed by a qualified electrician in accordance with AS/NZS 3000 wiring rules. Switch off the electrical supply at the mains before installation and maintenance. A means of disconnection must be incorporated in the fixed wiring in accordance with the wiring rules. For complete temperature control a wall mounted dimmer switch (with “off” position) is recommended. Suitable for bathroom and non-bathroom/dry areas. Not suitable for above baths, nor for installation in saunas, steam rooms or shower cubicles. Please consult with a qualified electrician to confirm appropriate compliant installation location.

Rated IP55 and suitable for indoor use only. Do not fix to damp or conductive surfaces. Site well away from curtains and fabrics. Switch off after use.

This appliance is not to be used by persons (including children) with reduced physical, sensory or mental capabilities, or lack of experience and knowledge, unless they have been given supervision or instruction concerning use of the appliance by a person responsible for their safety.

Children should be supervised to ensure that they do not play with the appliance.

WARNING: In order to avoid a hazard for very young children, this appliance should be installed so that the lowest heated rail is at least 600mm above the floor.

If the supply cord is damaged, it must be replaced by the manufacturer, its service agent or similarly qualified person in order to avoid a hazard.

For safety, please DO NOT use for any purpose other than as a towel rail and a towel warmer. To avoid damage DO NOT sit, stand, lean or hang on product.

ELECTRICAL INSTALLATION

Please ensure this towel warmer is installed by a registered electrician and ensure the electrical supply, plug & switch location and product location will comply with your local regulations.

This appliance must be fitted with an air gap phase isolation switch. For complete temperature control, a wall mounted dimmer switch (with “off” position) is recommended. Please consult with a qualified electrician for selection of an appropriate device.

OPERATION AND MAINTENANCE

- After installation, connect the electric power and turn on the wall switch. The towel warmer will start to work
- Turn off the power wall switch when towel warmer is not in use.
- Clean the towel warmer with a soft dry towel.
- This unit has been designed to run continuously

The surface temperature is high when towel warmer operates. PLEASE BE CAREFUL!

Hydrotherm Pure Heated Towel Rail

INSTALLING BRACKETS

INSTALLATION

- Slide all 4 Wall Brackets (1) over towel rail bracket arms (2). Hold unit in position, with a pencil outline brackets and remove from wall.
- Using pencil and Wall Bracket (1) mark the centre of each screw hole and cross for accuracy.
- Drill a hole for the Screws(3) and insert nylon plug into tiled wall (if applicable). Installer may choose to use alternative screws to suit the application. Installer MUST use a DIAMOND HEAD drill bit.
- Position Wall Bracket(1) so that the Grub Screw hole faces directly down towards the floor. Mount Wall Brackets (1) by inserting screws (3), be sure not to overtighten.

- Slip Cover Plates (6) onto Towel Rail Bracket Arms (2), slide towel rail (4) into position on wall.
- Insert 4 x Grub Screws (5), into Wall Brackets (1). With the Allen Key provided, tighten the Grub Screws (5) to ensure that towel rail stays in position.
- Push down on cover plate (6) and secure in place.

WARNING

TOWEL RAILS MUST ALWAYS BE INSTALLED WITH THE ELEMENT PLACED AT THE BOTTOM FOR CORRECT HEAT TRANSFER.

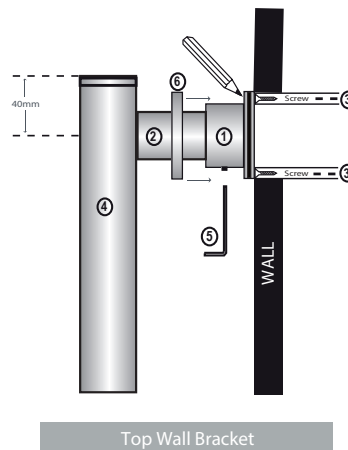
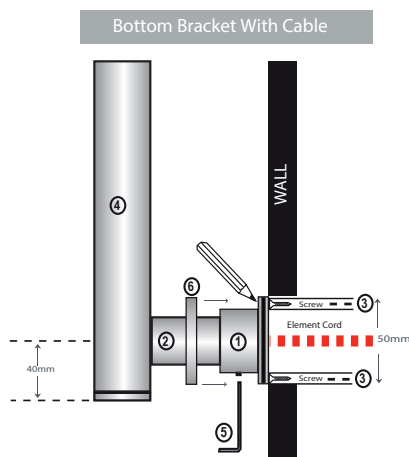


Please ensure that the measurements are taken accurately and that the screw is in a stud or noggin to provide support. Do not overtighten screws.

Please ensure a DIAMOND HEAD drill bit is used to drill screw and cord holes into tiled wall.

A QUALIFIED ELECTRICIAN MUST THEN CONNECT TOWEL RAIL ELEMENT TO EXISTING WALL CABLE PROTRUDING FROM BOTTOM WALL MOUNT (1).

We take pride in the fact that all rails are individually hand made. Due to this fact some measurements may not be exact. PLEASE READ INSTRUCTIONS CAREFULLY and do not force towel rail bracket if position of Wall Mount is not accurate.



- 1 Wall Bracket x 4
- 2 Bracket Arm
- 3 Wall Screw** x 12
- 4 Hydrotherm Towel Rail
- 5 Allen Key & Grub Screw x 4
- 6 Cover Plate x 4

**INSTALLER MAY CHOOSE NOT TO USE SCREW IF NOT SUITABLE FOR APPLICATION

We will not accept responsibility for incorrectly installed brackets. Please read instructions carefully.

WARNING

TOWEL RAILS MUST ALWAYS BE INSTALLED WITH THE ELEMENT PLACED AT THE BOTTOM FOR CORRECT HEAT TRANSFER.



WARNING:
This appliance is not intended for use by young children or infirm persons without supervision.

CAUTION:
The cord extension set must be positioned so that it is not subject to splashing or ingress of moisture. The supply shall have means for disconnection with an air gap in all active conductors incorporated in the fixed wiring according to the Wiring Rules in AS/NZS 3000:2000.



Hydrotherm Pure Heated Towel Rail

Please consult with a qualified electrician to confirm appropriate compliant installation location.

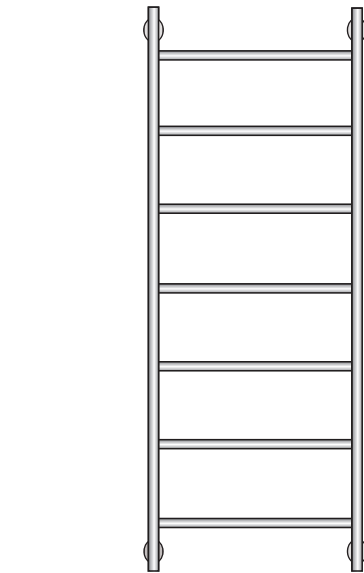
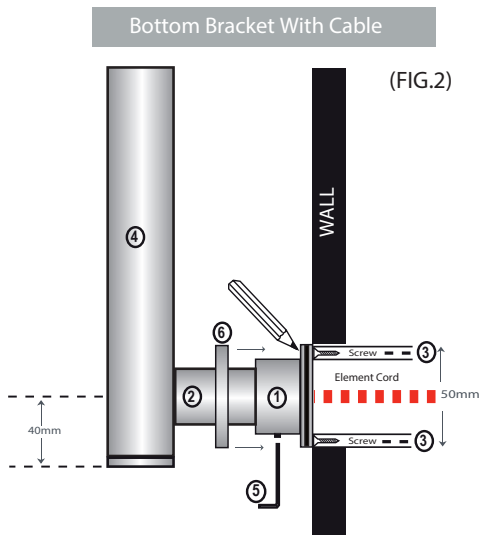
WIRING OPTIONS

Towel Rails fitted (standard on the left unless come pre filled with water, and with electric elements already otherwise specified)

HARD WIRED - STANDARD OPTION
(See Fig.1 & Fig. 2)

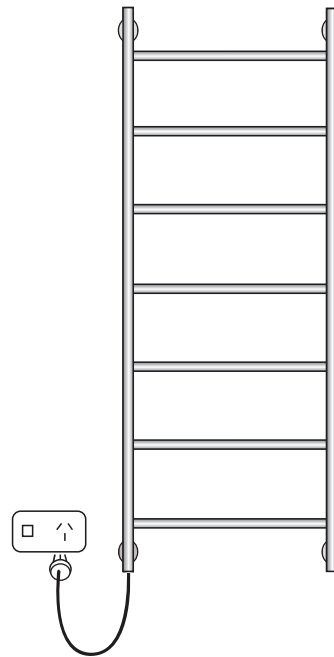
The heating element cable is fed back through either the left, or right hand BOTTOM (ONLY) bracket, whereby a qualified electrician will then hardwire the cable in behind the wall.

All hard-wired elements achieve an IP Rating of IP55. (IPX5) for use in wet areas. Hydrotherm recommend all electric towel rails be connected to a timer for convenience, as well as to prolong the life of the replaceable electric element.



(FIG.1)

HARD-WIRED VERSION



(FIG.3)

PLUG IN VERSION

PLUG IN OPTION - REQUEST ONLY
(See Fig. 3)

Plug is supplied with element cable (approx. 1200mm long). Cable may be cut and plug attached to required length. (See Fig. 3) This option is only available upon request.

All Elements carry the following approvals.



Elements have a built in thermostat and internal cut out ensuring safety and energy efficiency.

All Hydrotherm electric elements are supplied as 240v. All electric elements are replaceable and can be easily changed over.

Hydrotherm Pure Heated Towel Rail

HARD WIRING

We recommend that all hard-wired heated towel rails be connected to a light switch or digital timer. Connecting hard-wired heated towel rails to a light switch or a timer will prolong the life of the electric element and reduce energy consumption.

CHANGING ELEMENTS

Replacing a heating element, or exchanging it from one side to the other is a relatively simple process.

There are Five Basic Steps:

1. Remove towel rail from brackets (if already installed).
2. Turn towel rail upside down and remove both push on caps from bottom of vertical tube.
3. Pull element cable back through vertical rail so that it protrudes from bottom. With a 19mm tap spanner, loosen the hex nut of the electric element. When the element is loose, unscrew it by hand. If you are changing the element from left to right (or vice versa) the internal plug on the opposite side must also be removed and swapped over with the element.
4. Swap the element and screw in place.
5. Turn the towel rail the right way up and position back into brackets, refit grub screws to secure.

Please note:

We advise that the unit be removed from the wall and turned upside down to avoid water spilling. Please ensure the heating element always remains at the bottom of the towel rail.

