

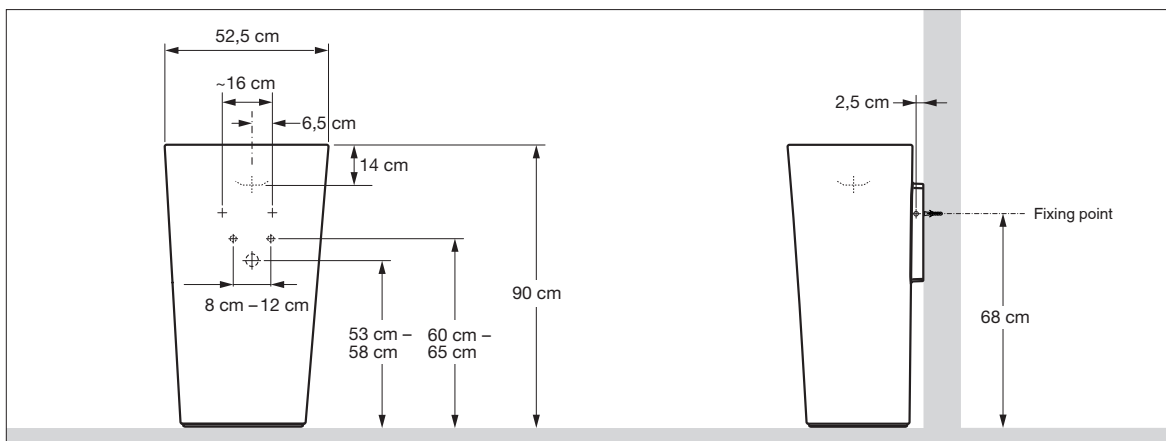
## PALOMBA FLOOR STANDING BASIN with Wall Connection

### INSTALLATION INSTRUCTIONS

#### Parts list



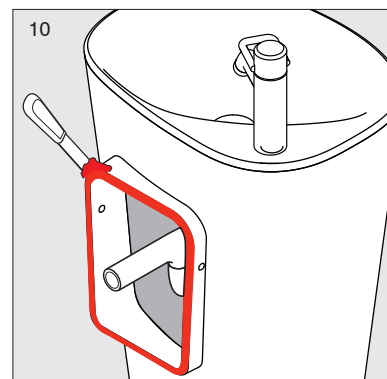
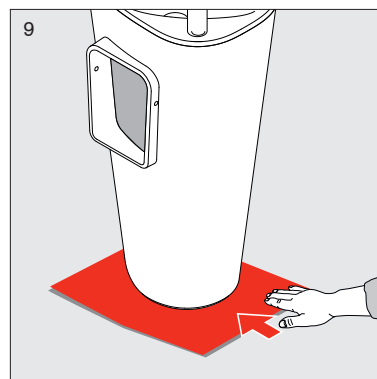
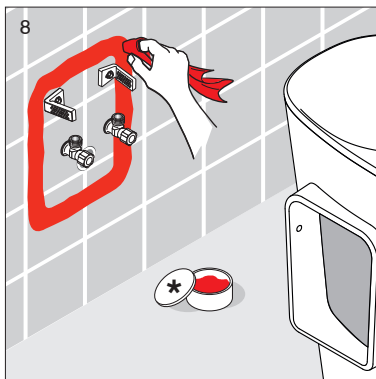
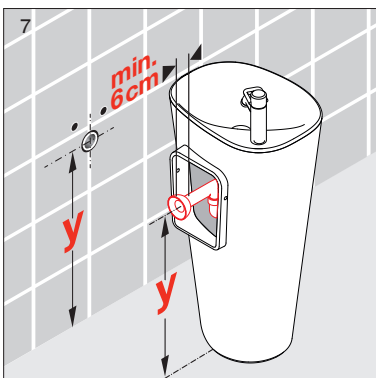
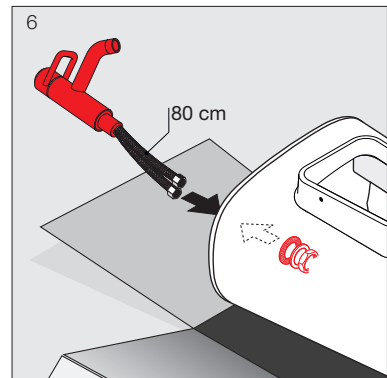
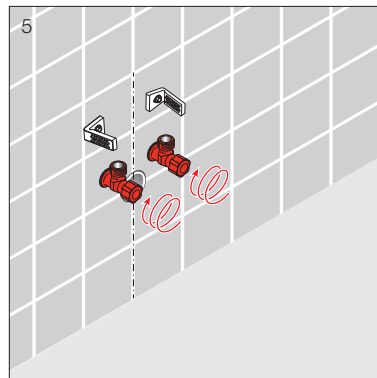
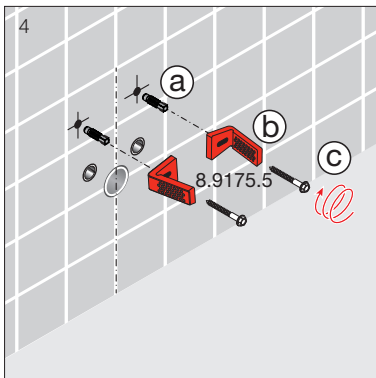
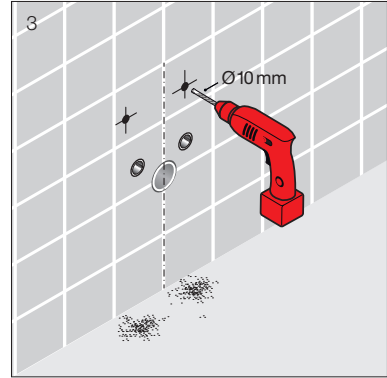
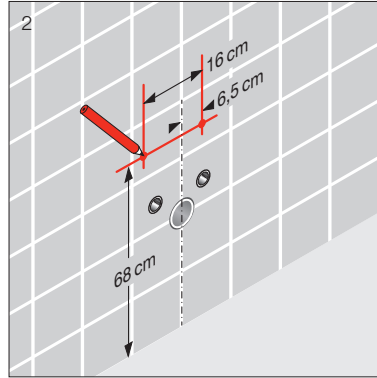
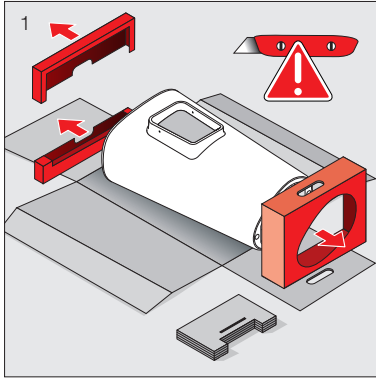
#### Dimensions



## PALOMBA FLOOR STANDING BASIN with Wall Connection



### Assembly procedure

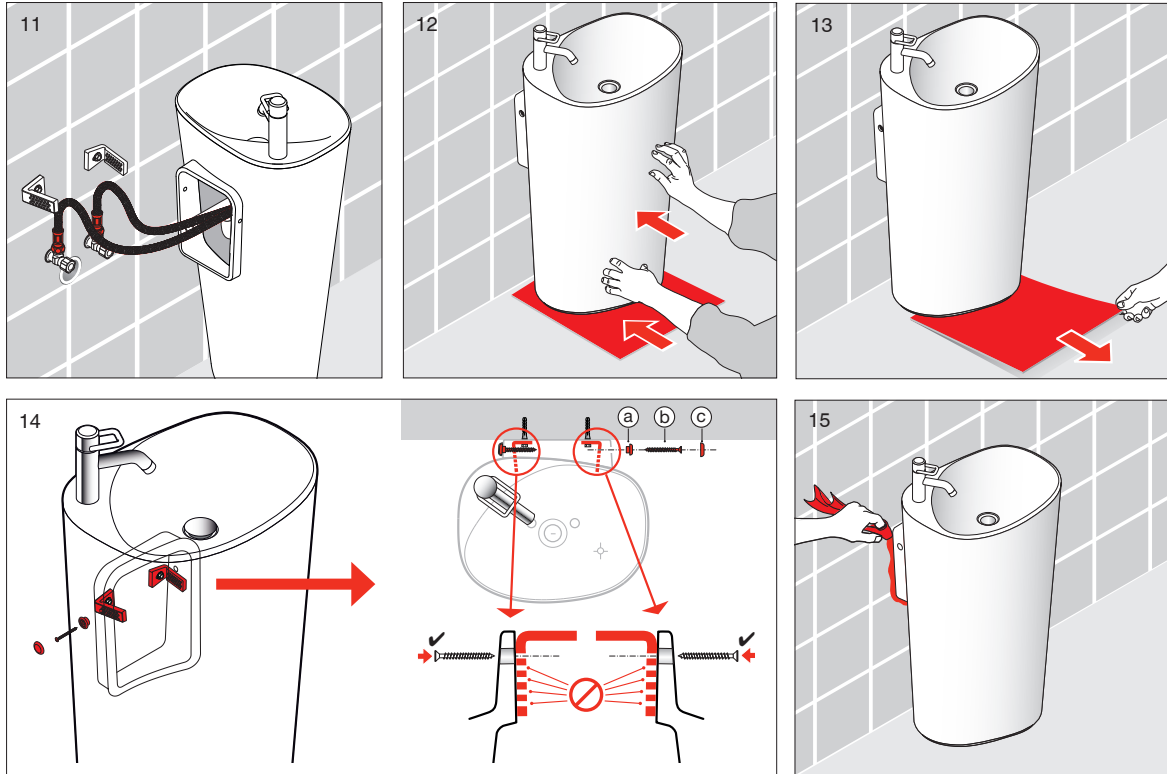


\* Liquid-soap

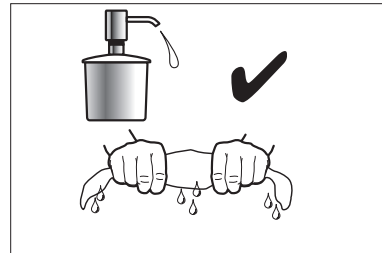
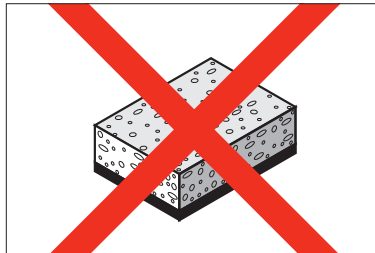
• Cardboard

• Portland-cement

## PALOMBA FLOOR STANDING BASIN with Wall Connection



### Maintenance Instructions



### Maintenance instructions

The surface is simple to clean and care for. The smooth surface hardly accumulates any dirt. Use soft cloth, soapy solution and water for regular care. Wipe with a dry cloth.

Avoid the use of abrasives or solvents, which damage the surface.

Damage caused by inappropriate treatment by the user, is not covered by our guarantee.

