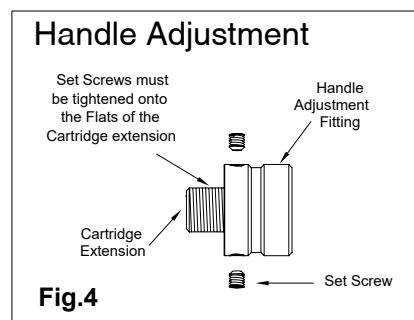
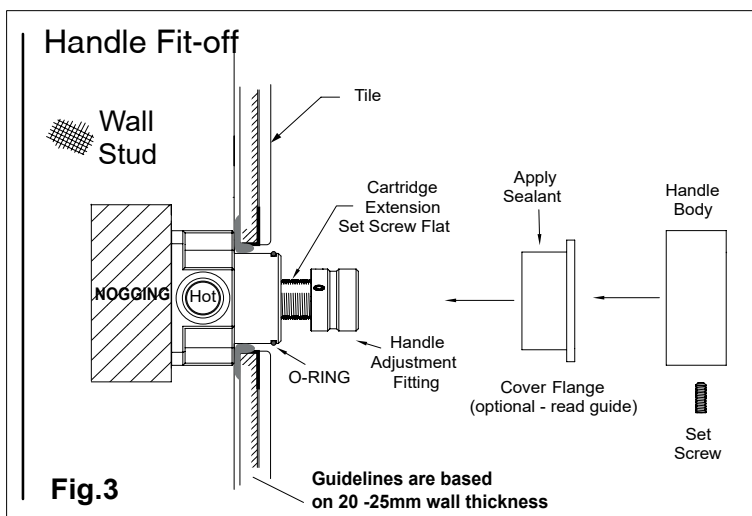
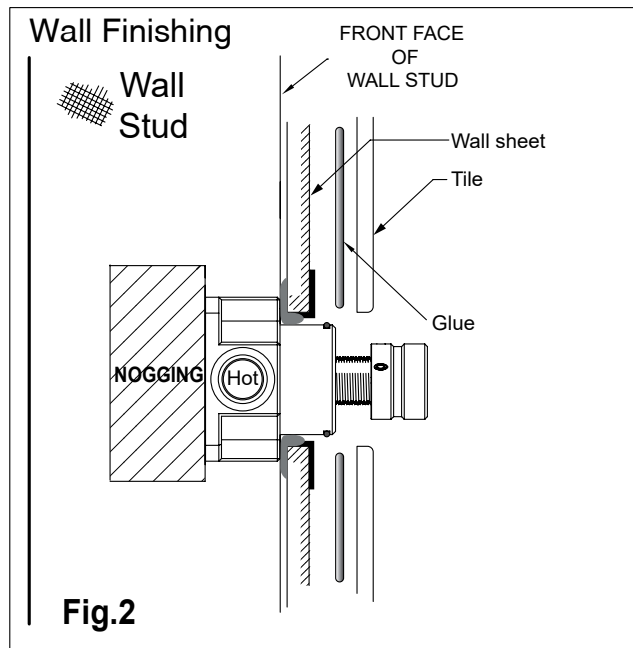
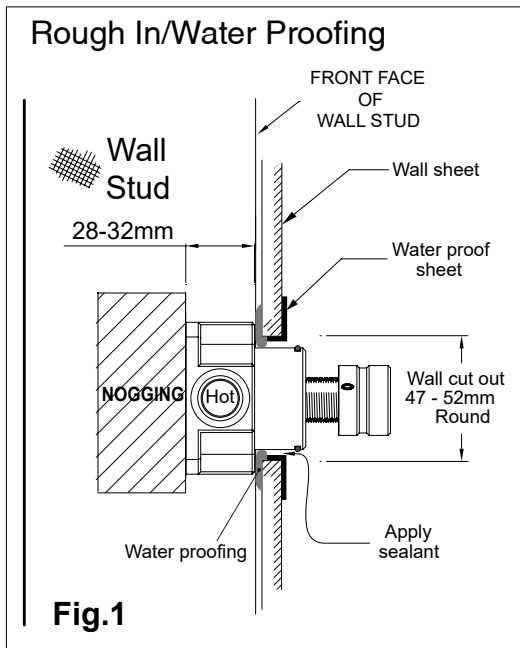


SUSSEX

Sussex Pure Progressive Shower/Bath Mixer Tap

Tapware is to be installed by a Licenced Plumber in accordance with AS/NZS 3500:2003

Recommended working water pressure 300 - 500 Kpa.
Maximum water temperature is 65 deg.C.



Plumbers, please ensure a copy of the Installation Instructions are left with the end user for future reference

SUSSEX

Sussex Pure Progressive Shower/Bath Mixer Tap

ROUGH IN PLUMBING

Prior to installing, calculate the finished wall thickness to ensure enough adjustment is available when fitting the Handle. The Mixer is supplied with a plastic cover to protect the Mixer during Plastering and Tiling. To aid in Plumbing, 2 Outlet Ports have been provided in the Mixer Body (Shower and Bath), only 1 Outlet Port can be used. Apply thread sealant to the supplied Pressure Plug and seal either the Shower or Bath Outlet Port not being used. The Hot/Cold Ports are marked on the shoulder of the Mixer body to indicate the correct mounting position.

Set a Nogging between 28 - 32mm back from the face of the wall stud. (see Fig. 1).
Using the screws provided, fix the Mixer to the Nogging.
Ensure the Mixer is aligned square and well secured.

Flush all water feed lines. Pipes and fittings must be free from any dirt and debris before connecting to the Mixer. Once all water fittings are connected, check Hot/Cold water flow by operating the Mixer. Check for any water leaks. Once all checks have been made, leave the Mixer in the closed position and replace the protective cover. Store remaining parts in a safe place until wall coverings have been completed and final fit-off is required (Dress finishing).

Plumber please note:

On-site high pressure line testing must be conducted with the Mixer in the closed position (STATIC TEST ONLY). Under no circumstances is the Mixer to be opened when exceeding the maximum stated water pressure. At the completion of the testing, do not relieve any high pressure by opening the Mixer. Exposing the internals of the Mixer Cartridge to higher than specified water pressures, will void the manufacturer's warranty.

WATERPROOFING - See Fig. 1

- Water Proof around the mixer.
- Apply Water Proof wall sheeting around the mixer wall cut out.
- Apply sealant around mixer to seal wall penetration. (Prior to tiling).
- Ensure the sealant does not cover the cartridge locknut or spindle mechanism.

DRESS FINISHING AND HANDLE ADJUSTMENT - See Fig. 3

Prior to fit off ensure the correct size cut out around the Mixer has been achieved (see Fig.1).
Remove the protective Cover from the Mixer. Ensure the installation is clean and free from any debris.

Fit cover flange. If sealant interferes with Fit-off then the cover flange can be cut to suit.

Note: The installation can be completed without the cover flange. If it is not used it will have no effect on the function of the mixer.

The main purpose of the optional cover flange is to assist in gaining the correct cutout size of the Tiles and to prevent any sealant from covering the locknut.

Warranty will not be affected if the cover flange is not used, provided the wall penetration has been sealed against the mixer.

Fit the Handles onto the Adjustment Fitting.

If adjustment is required, remove the Handles and loosen the Set Screws of the Adjustment Fitting.

Wind the Adjustment Fitting to reduce or increase the gap between the Wall and the Handle (see Fig.4).

NOTE: Extensions may be acquired if correct installation can not be achieved (Contact manufacturer).

Once the gap from the Wall to the Handle is between 1-2mm, remove the Handle and tighten the Set Screws of the Adjustment Fitting.

When securing the Handle adjustment Fitting, ensure the Set Screws are tightened onto the flats of the Cartridge Extension (see Fig.4).

Do not tighten the Set Screws on the threads of the Cartridge Extension.

Fit the Handle so the Set Screw is positioned at the bottom.(tighten well).

Note the Set screw must engage in the groove of the Adjustment Fitting.

Plumbers, please ensure a copy of the Installation Instructions are left with the end user for future reference