

SUSSEX

Sussex Oria Wall Bath/Basin Mixer Outlet System - Step 1: Rough in

Tapware is to be installed by a Licensed Plumber in accordance with AS/NZS 3500:2003 Recommended working water pressure 300 - 500 Kpa. Maximum water temperature is 65°C

ROUGH IN PLUMBING: Preparing components for - Do not remove any factory fitted pressure plugs or Fixings. installation into wall

- Once all water connections are made, check Hot/Cold
 - For best results, fix a Nogging **28mm - 32mm (i)** back. From the face of the stud. The shoulder of the Masterfit will then be flush with the stud.

- Prior to installing calculate the finished wall thickness, this should be between **20 - 35mm (ii)**.

- Using the screws (x4) provided, mount the Masterfit to the Nogging. Ensure the Masterfit is level and square.

PIPE CONNECTIONS

- The Hot and Cold ports are marked on the Masterfit.
- Flush all water feed lines. All lines must be free from any dirt and debris before connecting to the Masterfit.
- Connect Hot and Cold lines to the corresponding 1/2" BSP ports of the Masterfit. (see Drawing).

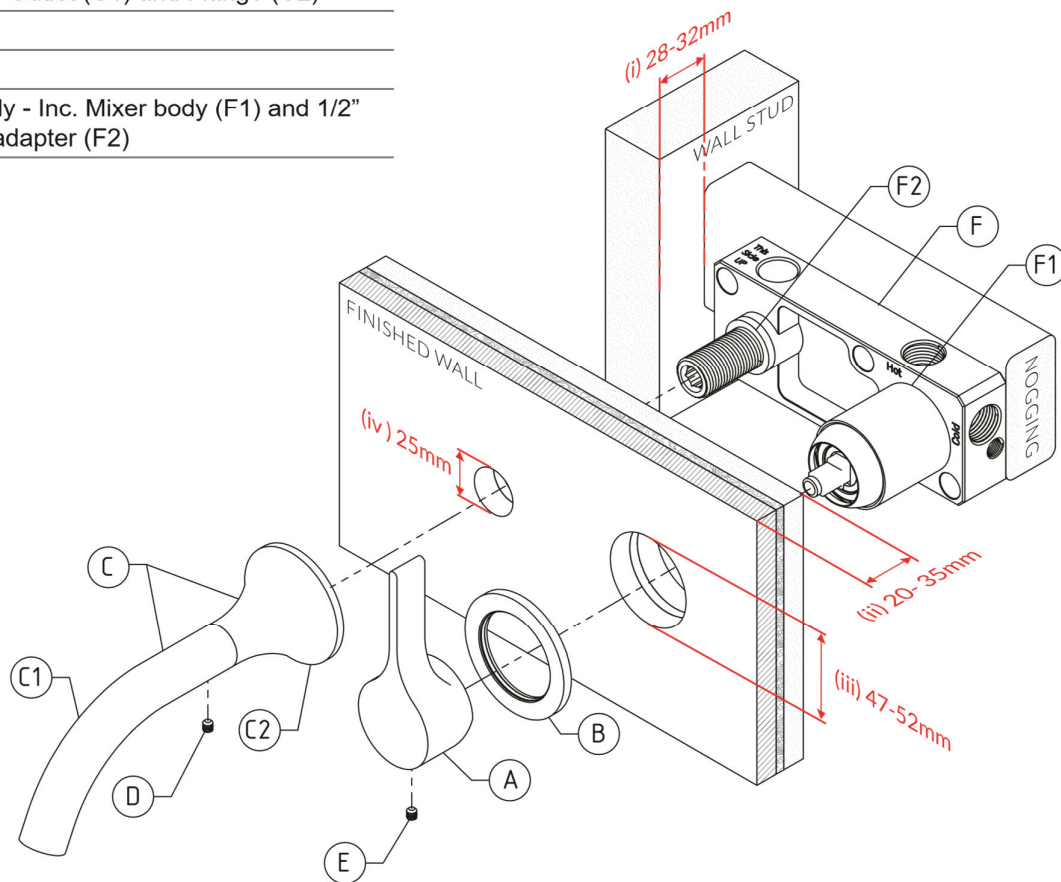
water flow by operating the Mixer Cartridge.

- Check all fittings and fixtures for leaks.
- Leave the Mixer(s) in the closed position and replace the Mixer protective cover. Store the Dress Kit in a safe place until required.

PLUMBER'S NOTE

- On-site testing using higher water pressures must be conducted with the mixer in the closed position (static test).
- Under no circumstances is the mixer to be opened when exceeding the maximum stated water pressure.
- At completion of testing, do not relieve any high water pressure by operating the mixer.
- Exposing the internals of the Mixer Cartridge to higher than specified water pressures will void the

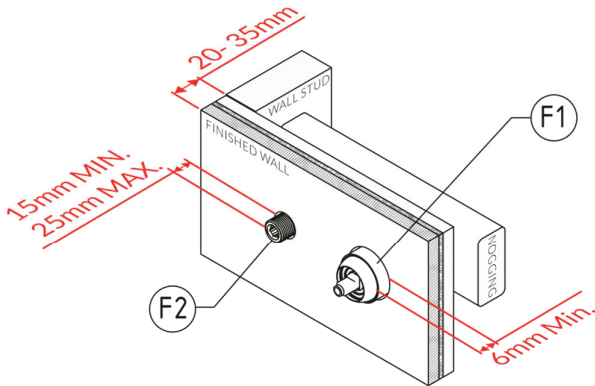
| Part | Part Name |
|------|---|
| A | Mixer Handle |
| B | Mixer Dress Ring |
| C | Outlet Assembly - Outlet (C1) and Flange (C2) |
| D | Outlet Set Screw |
| E | Mixer Set Screw |
| F | Masterfit Assembly - Inc. Mixer body (F1) and 1/2" BSP male outlet adapter (F2) |



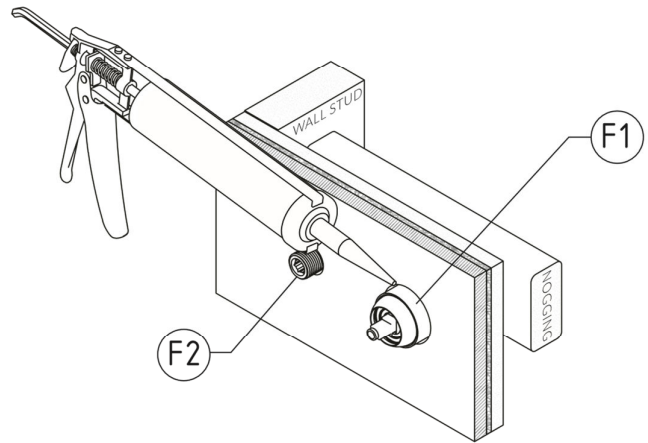
SUSSEX

Sussex Oria Wall Bath/Basin Mixer Outlet System - Step 2: Handle Fit off

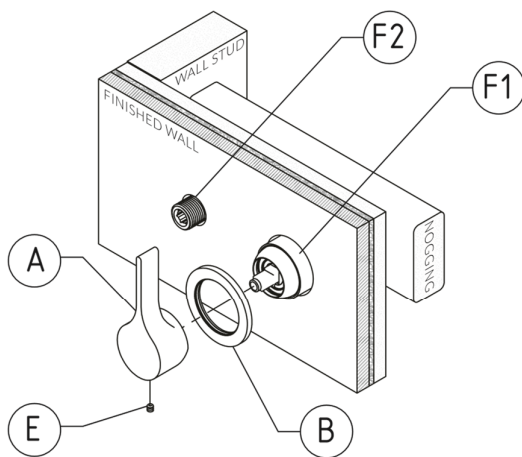
1) If the shoulder of the Masterfit (F) was fixed flush with the stud then the maximum thickness of the wall covering can be **35mm**. The sleeve of the mixer (F1) must protrude past the finished wall by a minimum of **6mm**. If the sleeve protrudes less than **6mm** past the finished wall then contact the supplier for possible sleeve extension.



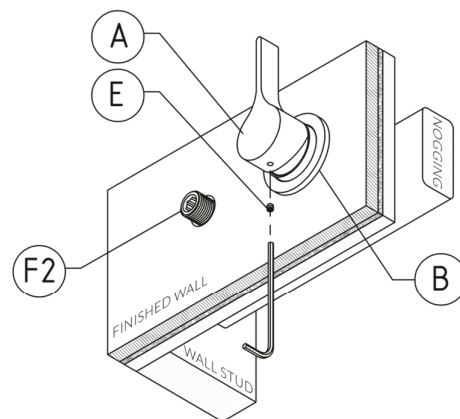
2) Ensure area is clean and clear of debris. Apply suitable sealant to the wall penetration.



3) Slide the Dress Ring (B) over the Wall Mixer Sleeve (F1) to meet the finished wall. Fit Handle (A) onto the cartridge lever.



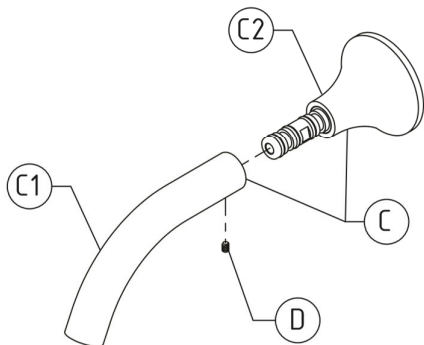
4) Ensure that the Handle (A) is fully engaged on the cartridge lever. Secure the handle by tightening the Set Screw (E) and Tighten well. The lever of the Handle (A) is to point up. Pulling the lever away from the wall will allow water flow.



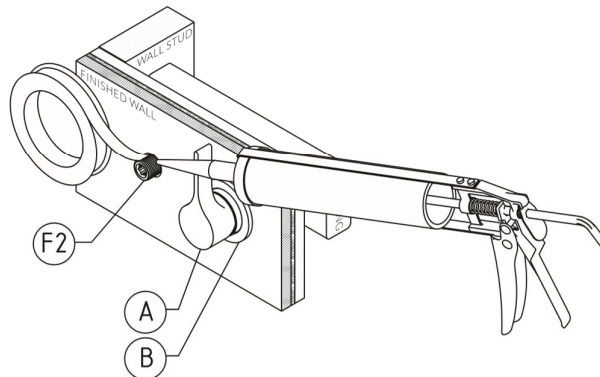
SUSSEX

Sussex Oria Wall Bath/Basin Mixer Outlet System - Step 3: Outlet Fit off

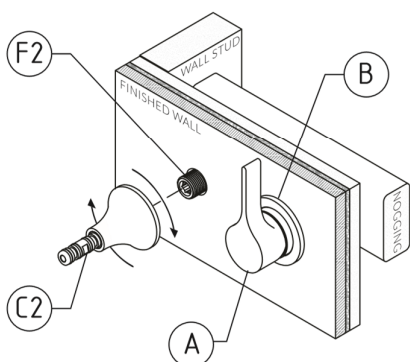
5) Separate the Outlet Assembly (C) by loosening the Set Screw (D) this will allow the Flange (C2) To come away from the Outlet (C1).



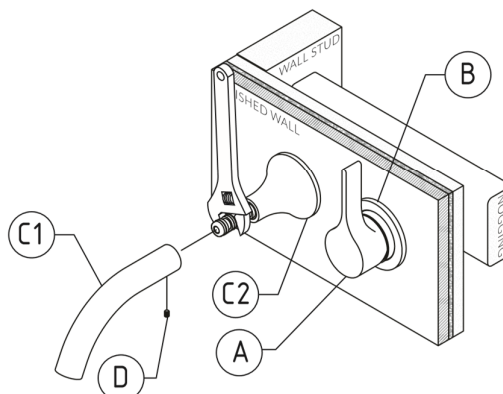
6) Ensure the area is clean and clear of debris. Seal the wall penetration and apply teflon tape or alternative sealant to the 1/2" BSP Male Outlet Adapter (F2).



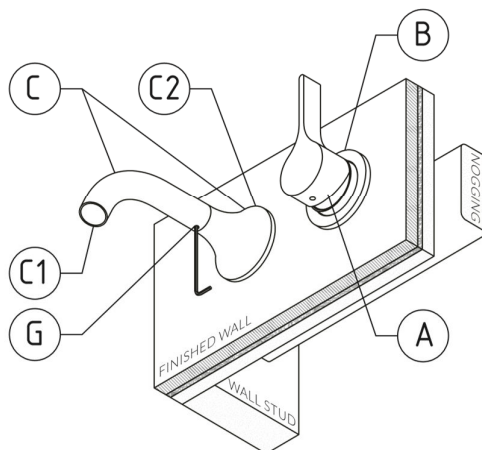
7) Screw the Flange (C2) onto the 1/2" BSP male outlet adapter (F2)



8) Tighten the Flange (C2) by hand and secure with a spanner.



9) Fit the spout (C1) onto the post of the Flange (C2). Align and secure by tightening the set screw (G).



After installation, establish water supply and thoroughly check operation of tapware to ensure that it functions correctly and no water leaks. Plumbers, please ensure a copy of the Installation Instructions are left with the end user for future reference