

KADO

Kado Lux Close Coupled Back To Wall Rimless Overheight Bottom Inlet Toilet Suite with Soft Close Quick Release Seat (4 Star)

1805493

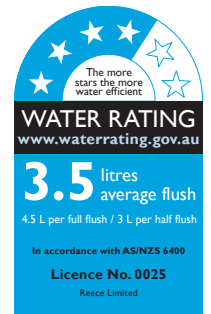
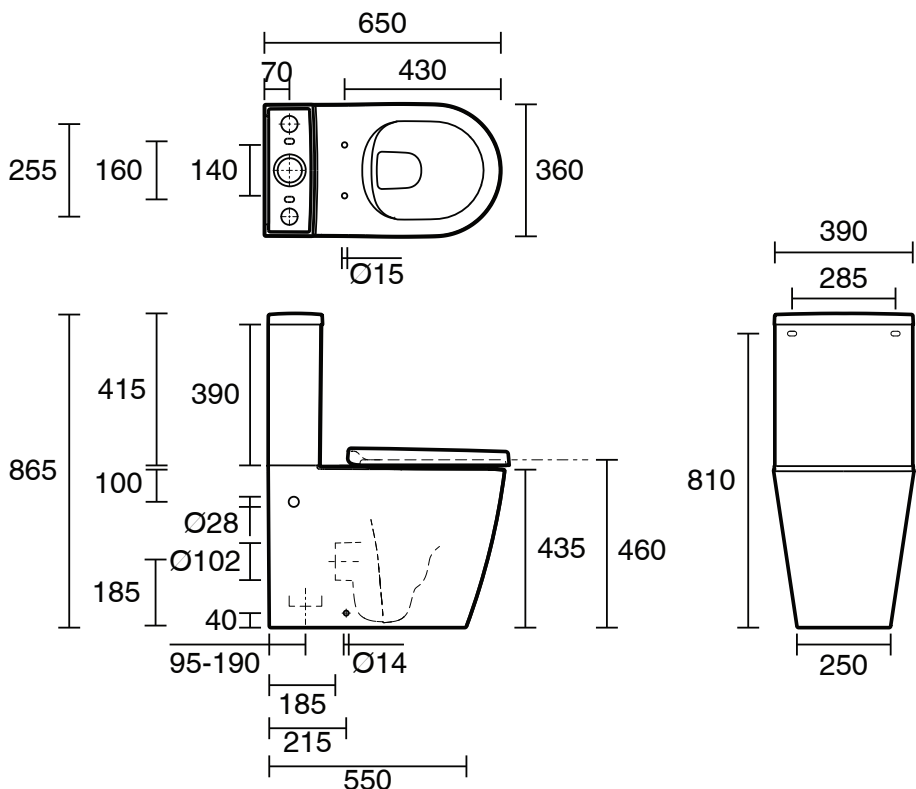
SPECIFICATIONS

| | |
|-----------------------------|--|
| Recommended Use | Residential;Commercial |
| Pan Material | Vitreous China |
| Toilet Seat Material | Urea |
| Weight of Pan | 37 kg |
| Weight of Cistern | 15 kg |
| Water Inlet Position | Bottom Inlet |
| Toilet Seat | Soft Close Quick Release |
| Rim Configuration | Rimless |
| Outlet Type | P Trap/S Trap using conversion bend (supplied) |
| Pan Fixing | Screwed to the floor using brackets (supplied) and bedded with sealant |
| Inlet Valve Pressure Rating | 500 kPa |

WARRANTY

| | |
|--------------------------------------|----|
| Residential & Commercial Use (Years) | 25 |
| Spare Parts & Labour (Years) | 1 |

Please refer to Kado Warranty Page for full Terms and Conditions



Dimensions are nominal measurements only.

CLEANING RECOMMENDATIONS:

We recommend the use of soapy water or approved cleaners. This product should not be cleaned with abrasive materials. Damage caused by any improper treatment is not covered by the product warranty. Refer to Warranty Conditions

Disclaimer: Products in this specification manual must by regulation be installed by licensed and registered trade people. The manufacturer/distributor reserves the right to vary specifications or delete models from their range without prior notification. Dimensions are nominal measurements only. Dimensions and set-outs listed are correct at time of publication however the manufacturer/distributor takes no responsibility for printing errors.

Published 01/04/2026

To see the complete Kado range go to www.reece.com.au/bathrooms

