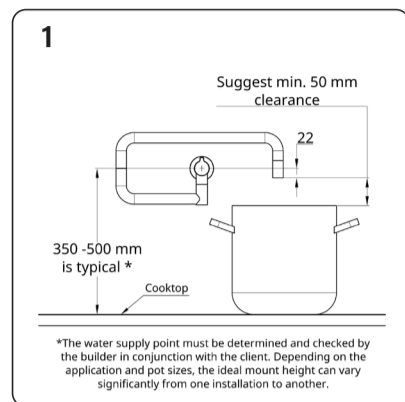




VARA Pot Filler

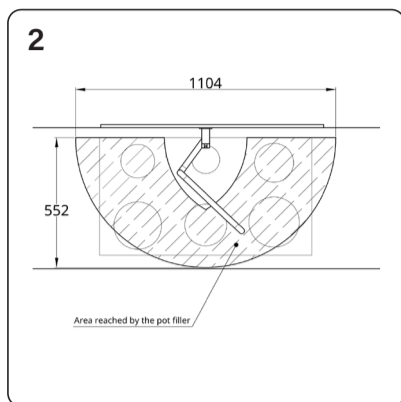
Rough-in

Note: This VARA rough-in kit has been specifically designed for installing in timber frame walls. The Rough in kit does not contain any decorative components as these are all in the fit off kit.



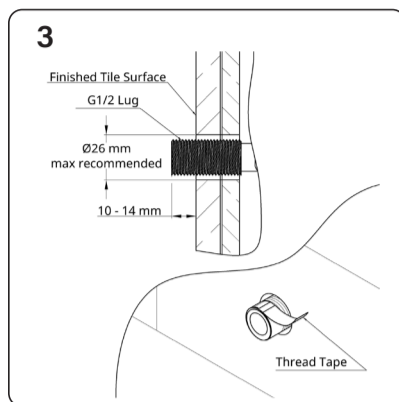
Check outlet position - Part 1

This product has been designed to screw over an existing G 1/2" water supply lug. It is essential that the water supply lug has been positioned to suit this product and the particular requirements of your installation - please refer to image above.



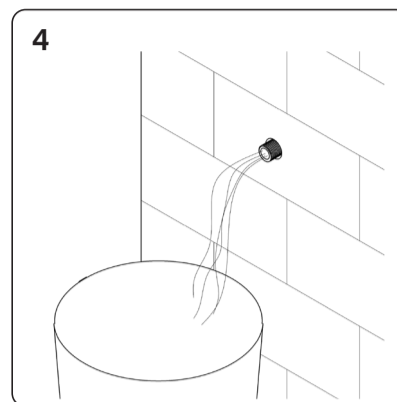
Check outlet position - Part 2

Check lateral position of outlet. Note that there is a small zone which is not reached by the Pot filler - this needs to be positioned for optimal functionality.



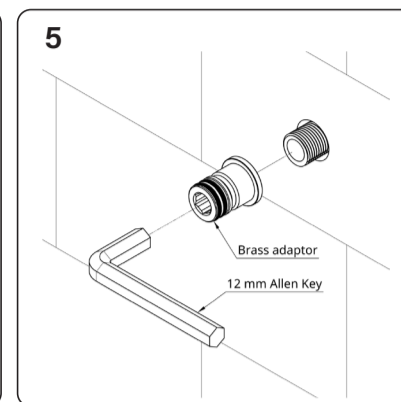
Prepare threaded lug

Ensure that the 1/2" threaded lug is protruding from the finished wall or hob surface between 10 and 14mm, cut to length if necessary. Remove any debris or tile glue from the thread, and apply sufficient thread tape.



Flush systems & check the flow

Switch on the water supply and allow water to flow so as to purge the system and remove debris.

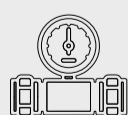


Install mount spigot

Using a 12mm hex wrench, thread the brass adaptor over the lug and screw it up until it contacts the finished tile or wall surface. Do not use vice grips otherwise the O-rings may be damaged causing leaks. It is important that the brass adaptor is stiff to turn as this is required for the tap stability. If needed, remove the adaptor and apply more thread tape etc.



Must be fitted in accordance with AS/NZS 3500 by qualified plumber



Mains 500kpa regulator must be fitted



Maximum hot water temp. 65°C



Water lines must be flushed prior to connection



Only clean municipal water supply. No bore, dam or hard water without filtration & treatment

Cleaning

Clean only with a soft microfiber or similar cloth and warm clean water. Ensure that the cloth is clean and free of any grit or chemical. Dry fitting off with a soft clean cloth. Ensure that your fitting is not subject to any chemicals, building grit or any type of abrasive of polish. For care of special finishes please visit our website.

Maintenance - Aerators

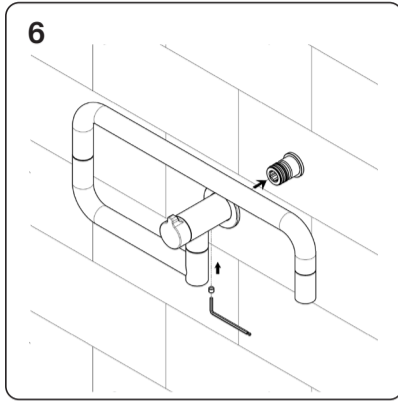
Aerators may need to be flushed from time to time if flow diminishes or stream pattern deteriorates. Use the aerator key provided to unscrew the aerator. You will notice a "castle" pattern around the edge of the aerator; the key engages with this allowing you to unscrew the insert easily. Rinse off the upper face of the insert with running water and gently brush clean with an old toothbrush to remove any debris before refitting the aerator.



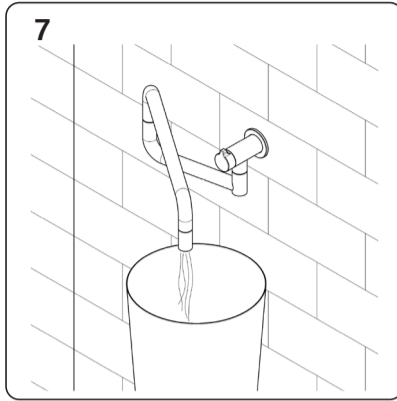
VARA Pot Filler

Fit-off kit

Note: Fit off is done after tiling and grouting are complete.



Install product



Test operation

Gently push the flange over the back end of the outlet body. Inspect the two O-rings on the spigot to ensure no damage. Moisten the O-rings on the spigot, and gently push the product over the spigot while rotating it slightly. Ensure the body is flush up against the wall, then thread the grub screw in the underside of the body using the 3mm Allen key provided. Straighten the fitting, then lock in place by tightening the grub screw firmly. Carefully slide the flange up against the wall.

Place a bucket or container under the end of the tap spout. Open both cartridges on the tap (the primary handle is located on the main body of the tap, and the secondary handle is located at the end of the spout) and switch on the supply water and allow it to flow through the tap for 5-10 seconds. Close each cartridge one at a time to ensure the water shuts off properly. If there are any issues please contact Faucet Strommen before leaving the site.