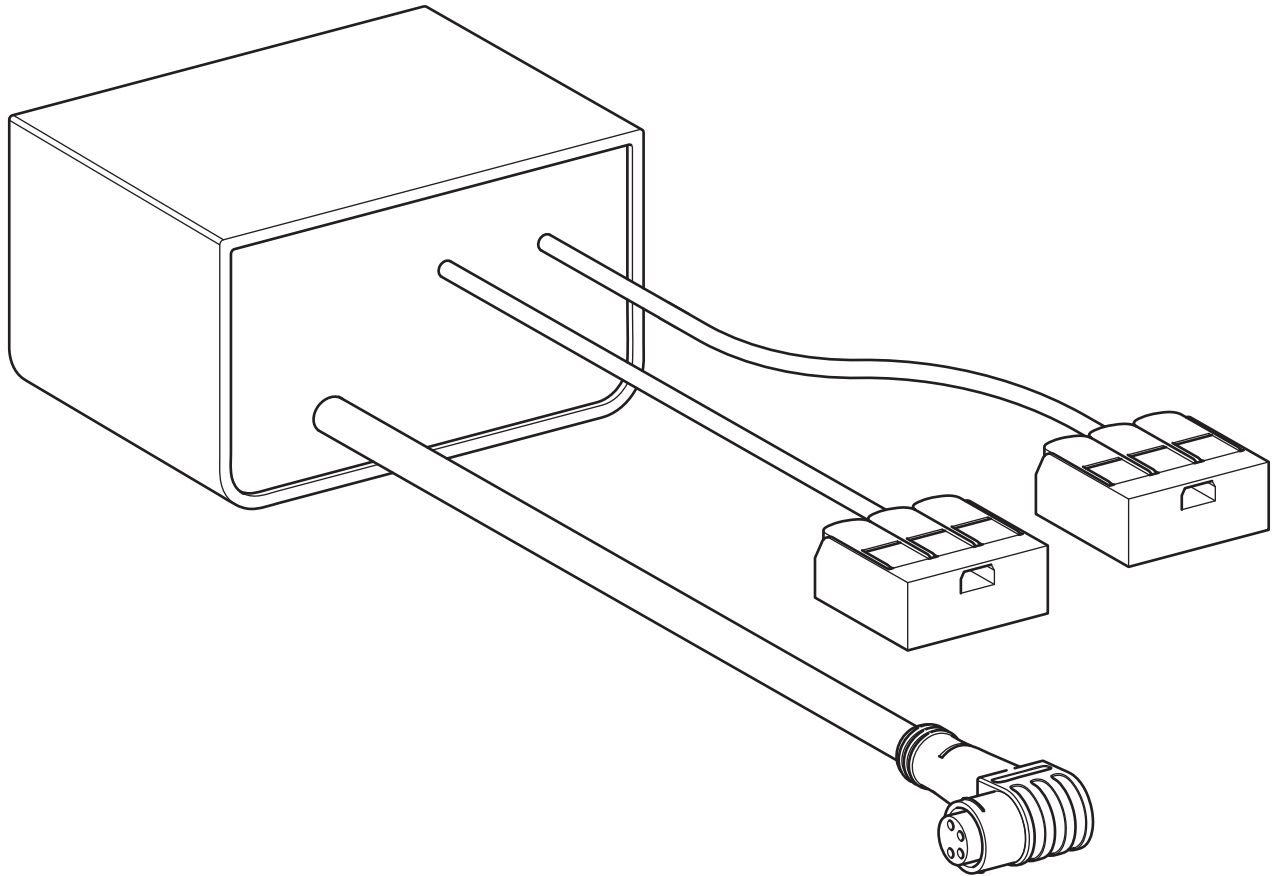
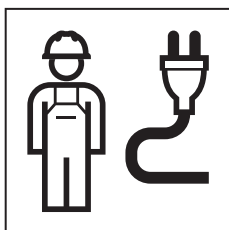


Geberit DuoFresh Power Module



INSTALLATION MANUAL



All electrical installation work needs to be carried out by a licenced electrician.

Published 01/02/2026



Geberit DuoFresh Power Module

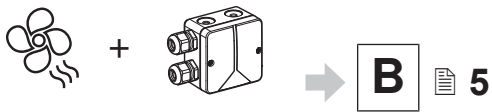
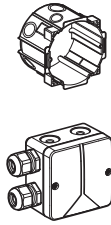
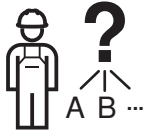


WARNING**Electric shock**

Incorrect installation can lead to death or serious injuries.

- ▶ Switch off all mains circuits before accessing the terminals.
- ▶ Install the unit with an all-pole disconnecting device with a contact opening that complies with the conditions of overvoltage category III for full disconnection.
- ▶ The unit should only be connected by an electrically skilled person.

Geberit DuoFresh Power Module



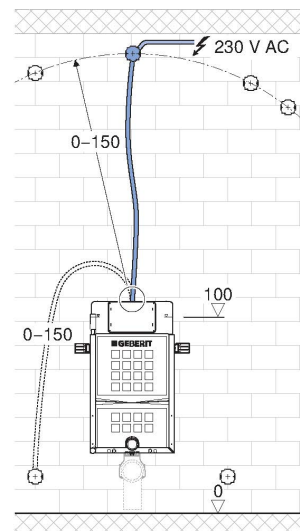
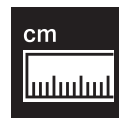
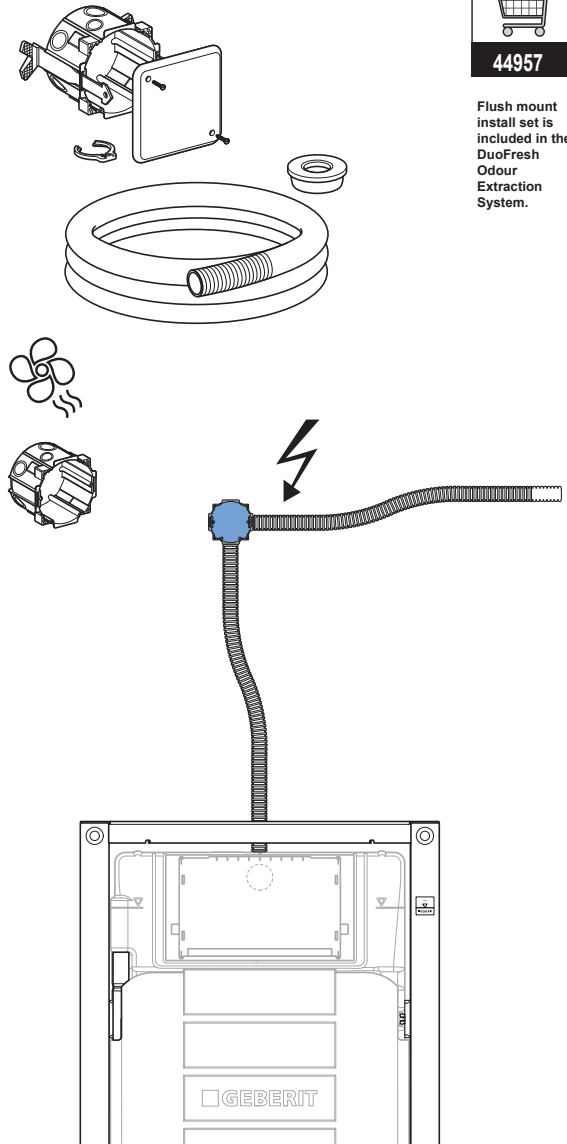
A

✓ Flush mount install



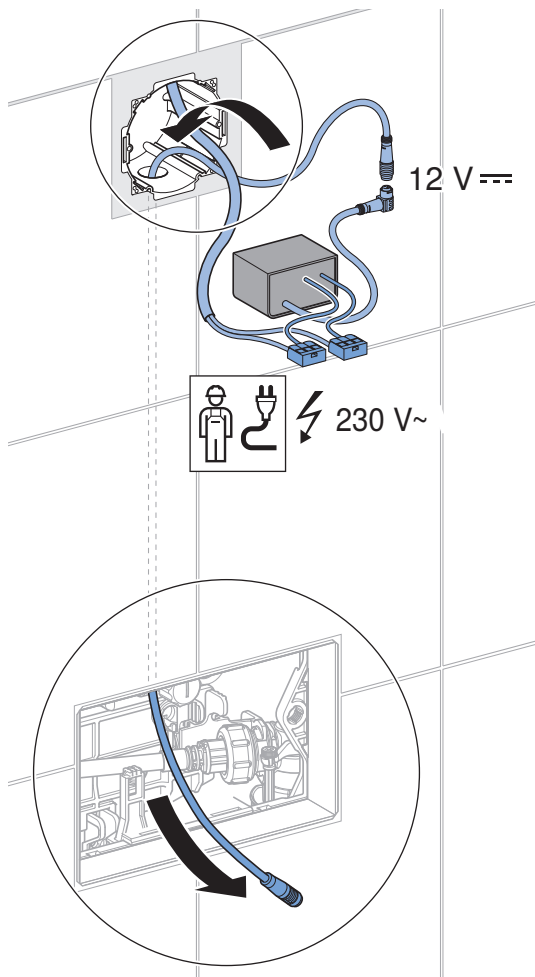
44957

Flush mount install set is included in the DuoFresh Odour Extraction System.

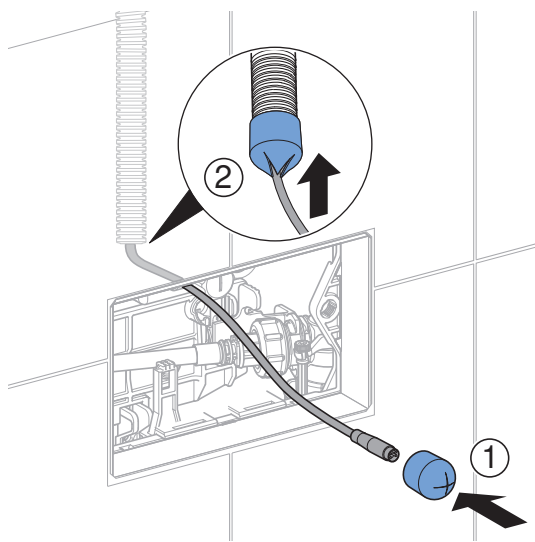


Geberit DuoFresh Power Module

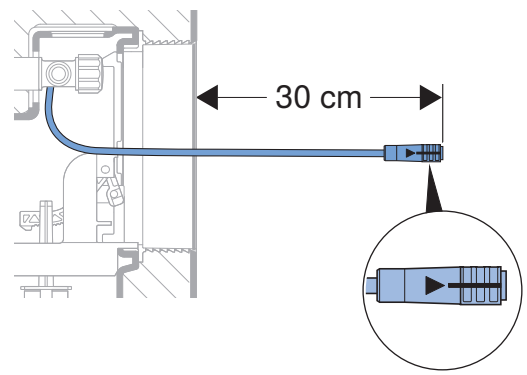
1



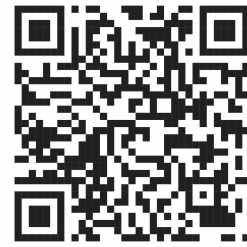
2



3



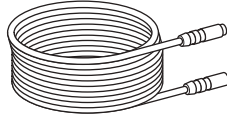
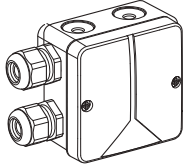
For detailed installation on flush mount install, please scan the QR code below:



Geberit DuoFresh Power Module

B

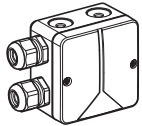
✓ Remote install



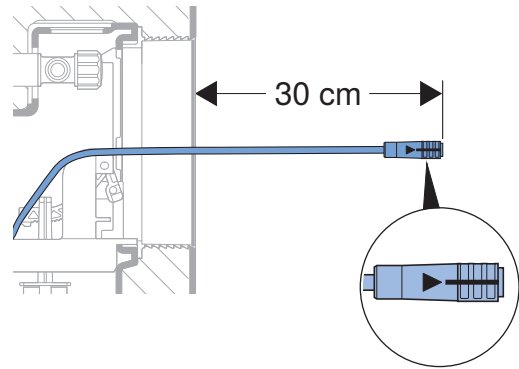
1804985

Remote installation kit

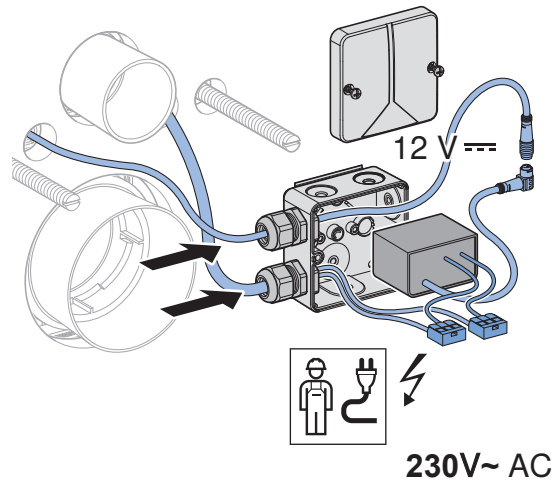
For mounting power supply unit in remote location (e.g. ceiling or vanity unit):



1



2



For detailed installation on remote install, please scan the QR code below:



Geberit International AG
Schachenstrasse 77, CH-8645 Jona
documentation@geberit.com
www.geberit.com

